



CineTension 2 Dual Series

Product Brochure



CineTension 2 Dual

CineTension 2 WraithVeil Dual is a sturdy, well-made electric motorized projector screen that has front and rear-projection capabilities. Its tab-tensioned material provides uniform flatness for exceptional projected image clarity. The Wraith Veil Dual material presents a bright, clear image on both sides when projected upon from either angle.



NOTE: For illustrative purposes only to show the dual functionality of projection and viewing. CineTension 2 Dual screens DO NOT require multiple projectors

Screen Material

- WraithVeil Dual is a 2-directional front/rear projection material
- 0.8 Gain with a 150° viewing angle on either side
- Standard 4-sided matte black masking borders enhance visual contrast while absorbing projector overshoot
- 4K/8K Ultra HD, and HDR Ready
- Compatible with Ultra/Short and Standard throw projectors
- Available in 16:9 (HDTV) with the following diagonal sizes: 120", 135", 150" (Black Case) and 180", 200" (White Case)

Design & Operation

- Floating installation brackets provide easy alignment with wood studs to accommodate a wall or ceiling installations (120" – 150" models)
- Ring bolts are included with (180" and 200") models. Ideal for hanging / ceiling installations.
- Tab-tension design provides uniform flatness over the entire screen surface.
- Shipped ready to plug & play with installation kit containing brackets, screws, and bubble leveler included
- Optional in-ceiling trim kit available for a concealed "integrated ceiling" application- sold separately
- Optional extended 11x4 or 12x8 L brackets - sold separately

Control System

- Standard Infrared (IR) and Radio Frequency (RF) remote controls
- Detachable low-voltage 3-way keypad wall switch
- Extended IR infrared "eye" sensor for in-ceiling installations
- Wireless 12-volt trigger included for synchronized screen operation with the projector's power cycle
- RJ45 port allows 3rd party control system integration
- Optional In-wall switch available - sold separately

Quality & Reliability

- Fast-acting tubular motor with a superior weight tolerance and operational lifespan
- Certified by AMX and CRESTRON; Certified to CAN/CSA STD. C22.2
- Conforms to ANSI/UL STD. 60950-1
- 2-Year / 3-Year ENR-G Manufacturer's Warranty by Elite Screens, an ISO9001 manufacturer since 2004
- Lifetime Tech Support by Elite's Professional Service Team through Email, Web Chat or Toll Free Phone Call



CineTension 2 Dual Series

Model	Screen Diag. & Aspect Ratio	View Height (in)	View Width (in)	N.W. (lbs.)	G.W. (lbs.)	N.W. (Kgs)	G.W. (Kgs)	Packing Dimension (LxHxW)	Gain	Screen Material	Case Color
TE120HR2-DUAL	120" (16:9)	58.8	104.6	52.7	70.5	24.0	32.1	129.9"x7.9"x9.8"	0.8	WraithVeil Dual	Black
TE135HR2-DUAL	135" (16:9)	66.2	117.7	62.5	82.8	28.3	37.6	142.9"x7.9"x9.8"	0.8	WraithVeil Dual	Black
TE150HR2-DUAL	150" (16:9)	73.5	130.7	68.9	91.1	31.3	41.3	155.9"x7.9"x9.4"	0.8	WraithVeil Dual	Black
TE180HR2-DUAL	180" (16:9)	88.3	156.9	125.1	162.6	56.8	73.8	189.8"x13.0"x11.2"	0.8	WraithVeil Dual	White
TE200HR2-DUAL	200" (16:9)	98.1	174.3	142.3	178.0	64.6	80.8	210.6"x13.4"x11.6"	0.8	WraithVeil Dual	White

CineTension 2 Dual Dimensions Table

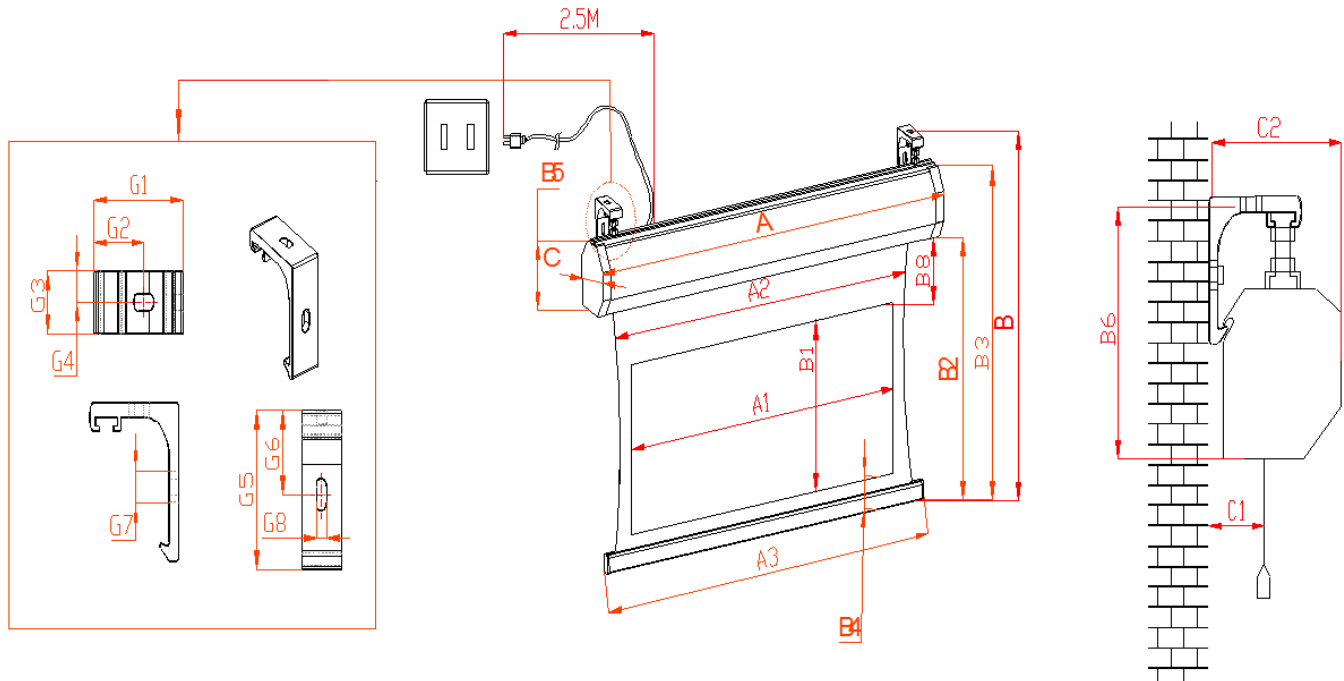
Model	Screen Diag. & Aspect Ratio	Case Length (A)	View Width (A1)	Screen Width (A2)	Weight Bar Length (A3)	Overall Height w/ Bracket (B)	View Height (B1)	Bottom of Case to End of Weight Bar (B2)	Overall Height (B3)	Bottom Edge (B4)	Case Height (B5)	Height Between Bracket & Case (B6)	Top Black Masking (B8)	Case Width (C)	Case End to Screen (C1)	Distance between Case & Wall (C2)
TE120HR2-DUAL	120" (16:9)	122.3	104.6	113.3	117.8	73.3	58.8	66.6	71.3	3.8	4.7	6.7	4.0	4.8	0.9	5.2
TE135HR2-DUAL	135" (16:9)	135.4	117.7	126.3	130.9	80.7	66.2	74.0	78.7	3.8	4.7	6.7	4.0	4.8	0.9	5.2
TE150HR2-DUAL	150" (16:9)	149.7	130.7	139.4	145.2	88.0	73.5	81.3	86.1	3.8	4.7	6.7	4.0	4.8	0.9	5.2

Unit: inch

Model	Screen Diag. & Aspect Ratio	Case Length (A)	View Width (A1)	Screen Width (A2)	Weight Bar Length (A3)	Overall Height w/ Bracket (B)	View Height (B1)	Bottom of Case to End of Weight Bar (B2)	Overall Height (B3)	Bottom Edge (B4)	Case Height (B5)	Height Between Bracket & Case (B6)	Top Black Masking (B8)	Case Width (C)	Case End to Screen (C1)	Distance between Case & Wall (C2)
TE120HR2-DUAL	120" (16:9)	3107	2657	2877	2992	1862	1494	1692	1812	96	120	170	102	122	24	132
TE135HR2-DUAL	135" (16:9)	3440	2989	3209	3325	2049	1681	1879	1999	96	120	170	102	122	24	132
TE150HR2-DUAL	150" (16:9)	3802	3321	3541	3687	2236	1868	2066	2186	96	120	170	102	122	24	132

Unit: mm

Note: Data Error ±1". The listed measurements are for general reference only. Please contact Elite Screens to verify product design and dimensions before attempting to integrate its products with any structural or furniture modification. Although a manufacturer may offer product advice, it may be taken or disregarded at the integrator's discretion. Elite Screens will not be held responsible or be otherwise liable for faulty installations.



CineTension 2 Dual Dimensions Table - 180" and Above

Model	Screen Diag. & Aspect Ratio	Case Length (A)	Distance Between Brackets (A1)	Screen Width (A2)	View Width (A3)	L/R Border (A4)	Weight Bar Length (A5)	Overall Height w/o Bracket (B)	Case Height (B1)	Top Border (B2)	View Height (B3)	Bottom Border (B4)	Screen Height (B5)	Case Width (C)	C2	C3
TE180HR2-DUAL	180" (16:9)	183.1	176.3	171.1	156.9	7.1	175.0	102.5	6.7	4.0	88.3	3.5	95.8	6.7	1.0	0.8
TE200HR2-DUAL	200" (16:9)	204.0	197.2	192.0	174.3	8.9	196.0	112.3	6.7	4.0	98.1	3.5	105.6	6.7	1.0	0.8

Unit: inch

Model	Screen Diag. & Aspect Ratio	Case Length (A)	Distance Between Brackets (A1)	Screen Width (A2)	View Width (A3)	L/R Border (A4)	Weight Bar Length (A5)	Overall Height w/o Bracket (B)	Case Height (B1)	Top Border (B2)	View Height (B3)	Bottom Border (B4)	Screen Height (B5)	Case Width (C)	C2	C3
TE180HR2-DUAL	180" (16:9)	4651	4478	4345	3985	180	4445	2604	170	102	2242	90	2434	170	25	20
TE200HR2-DUAL	200" (16:9)	5182	5009	4878	4428	225	4978	2853	170	102	2491	90	2683	170	25	20

Unit: mm

Note: Data Error ±1". The listed measurements are for general reference only. Please contact Elite Screens to verify product design and dimensions before attempting to integrate its products with any structural or furniture modification. Although a manufacturer may offer product advice, it may be taken or disregarded at the integrator's discretion. Elite Screens will not be held responsible or be otherwise liable for faulty installations.

