

AMR1WL

Articulating LCD Wall Mount Bracket

AMR1WL is a high quality Articulating LCD Wall Mount Bracket supplier providing Stand Holder, Projector Mount, LCD Wall Mount and LCD Screen Mount with good quality.



AMR1WL Articulating LCD Wall Mount Bracket is our small articulating arms for LCD monitor or LCD TV size less than 32". Inherited with refined know-how on hinge works for display, Highgrade has developed universal modules with designated Swivel, Tilt & Rotation functions. All Arm products have been aligned with standard VESA mount spec : 75x75 / 100x100, 200x100 & 200x200 cm which can be fitted to monitor ranging 15-24".

Features:

- Smart Torque Adjust
- Cable Management System
- Articulating Arms / Full Motion Arms
- Aluminium structure
- Easy Installation

Specifications

Material	• Steel/Plastic/Aluminum	Screw Type	• M4
Weight	• 1.40Kg(3.09lbs)	Dimension (W*H*D)	• 250 x 192 x 445 mm 9.84" x 7.56" x 17.5"
Hinge Module	<ul style="list-style-type: none"> • Swivel: +/-90° • Tilt: +/-15° • Pivot: 360° • User Torque Adjust: Available 	Display Support	<ul style="list-style-type: none"> • Mounting Pattern: 100x100/75x75mm • Panel Size Support: <=32" Suggested • Support Weight(Max): 10Kg (22.04lbs)
Max. Distance to the Wall:	• 445mm (17.52")	Extended Arm Provided	• 2
Min. Distance to the Wall:	• 85mm (3.45")	Cable Management	• Yes

Warranty and Support

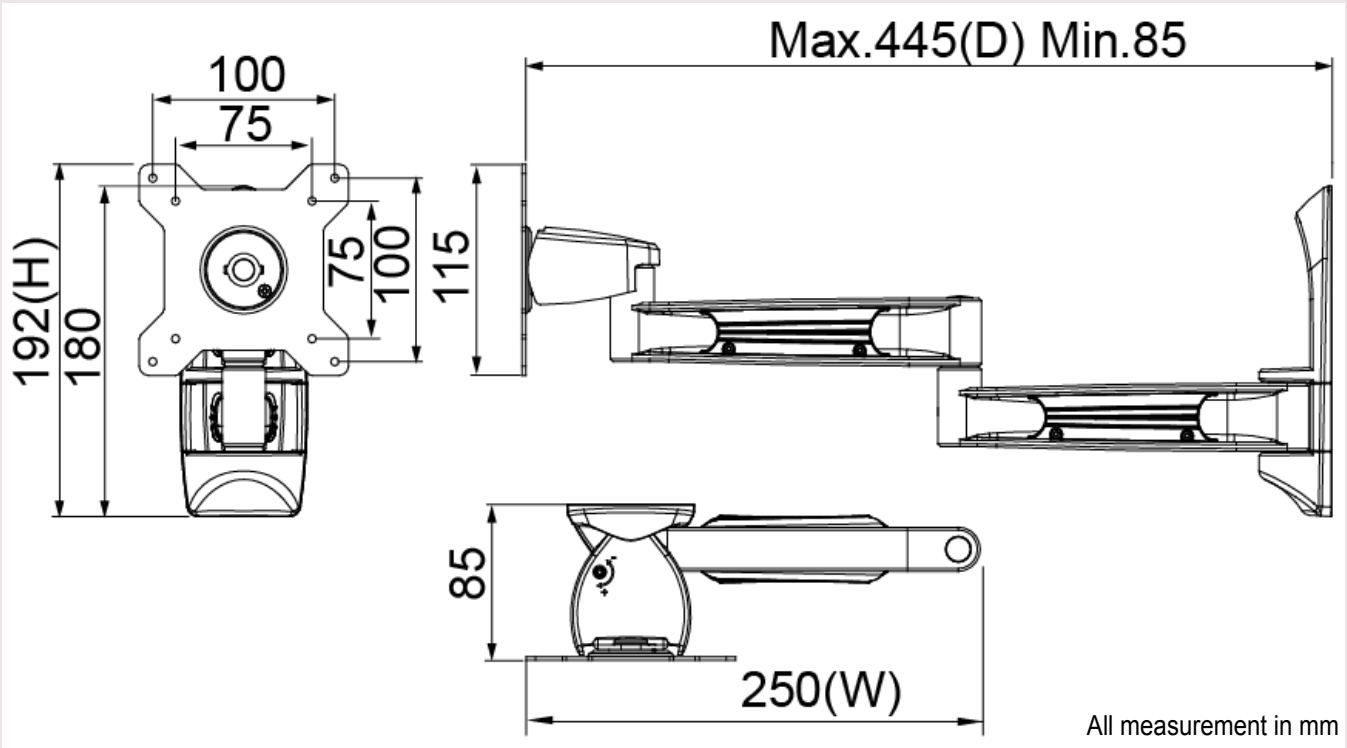
Warranty: 3 Years

Support: Free technical support (phone/email)

AMR1WL

Articulating LCD Wall Mount Bracket

AMR1WL



www.amer.com / www.amermounts.com

sales@amer.com
1-800-262-9703

Specifications subject to change without notice. Errors and omissions excepted. All trademarks are properties of their respective owners.

Revision 1.02