

IoT Smart Factory Edge Gateway

Intel® Atom™ Pocket-Size with 2 x GbE, 1 x mPCIe, HDMI, eMMC

C-UNO2271-W10EDG-1

B+B SMARTWORX

Powered by

ADVANTECH

www.advantech-bb.com



PRODUCT FEATURES

- World smallest pre-configured, fanless, ruggedized, embedded computer on the market
- Small form factor - less than 4 inches wide
- Intel® Atom™ E3815 1.4 GHz Processor
- 4 GB DDR3L
- Ethernet Port 2 x GbE, 1 x USB 3.0, 1 x HDMI
- Built-in 32G eMMC storage with 128G mSATA SSD
- Window 10 ENT LTSB operating system



OVERVIEW

The UNO (C-UNO2271-W10EDG-1) is a Smart Factory Edge Gateway that is pocket-size at less than 4 inches wide, making it an ideal host for your application software. The UNO is fan-less and highly ruggedized for business-critical and mission-critical applications. All models come with 32G eMMC storage and are available with Windows 10 ENT LTSB, Linux available and 128G mSATA SSD. A main advantage of Windows 10 ENT LTSB (the "Long-Term Servicing Branch") is its ability to provide long-term stability in applications by limiting Windows updates.



WIDE RANGE PWR INPUT 10~36V

Wide range power input ensures normal operation in unstable power environments.



CABLE-LESS DESIGN

Cable-less design for internal space saving, enhanced MTBF, reliability of signal transition, and cost efficiency for assembly.



RUBBER STOPPER DESIGN WITH CAPTIVE SCREW

Modular box uses captive screw design to prevent screw loss during assembly and rubber stoppers provide better system stability.



VERSATILE MOUNTING

Variety of mounting methods -VESA, DIN rail, Pole, and Stand-mount.

ORDERING INFORMATION

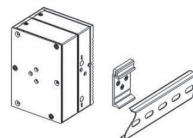
MODEL NUMBER	DESCRIPTION
C-UNO2271-W10EDG-1	Atom E3815, 32G eMMC, Win 10 ENT, 128G mSATA
	+ Ignition Edge Onboard MQTT Distributor and Transmission

ACCESSORIES - sold separately

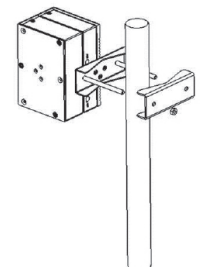
- 96PSA-A120W24T2 - ADP A/D 100-240V 120W 24V C14 Cord End Terminal
- 1702002600 - Power Cable US Plug 1.8 m (industrial grade)
- 1702002605 - Power Cable EU Plug 1.8 m (industrial grade)
- 1702031801 - Power Cable UK Plug 1.8 m (industrial grade)
- 1700000596 - Power Cable China/Australia Plug 1.8 m (industrial grade)
- UNO-2271G-EKAE - UNO-2271G Expansion ME Kit
- UNO-2271G-DMKAE - UNO-2271G DIN Rail Kit
- UNO-2000G-VMKAE - UNO-2000 VESA Mount Kit
- UNO-2000G-PMKAE - UNO-2000 Pole Mount Kit
- UNO-2271G-LKAE - UNO-2271G Lockable Kit 10 units/per pack

MOUNTING OPTIONS

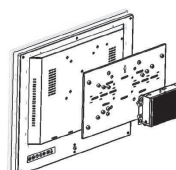
DIN-rail Mount Illustration



Pole Mount Illustration



VESA Mount Illustration



All product specifications are subject to change without notice.

IoT Smart Factory Edge Gateway

Intel® Atom™ Pocket-Size with 2 x GbE, 1 x mPCIe, HDMI, eMMC

C-UNO2271-W10EDG-1



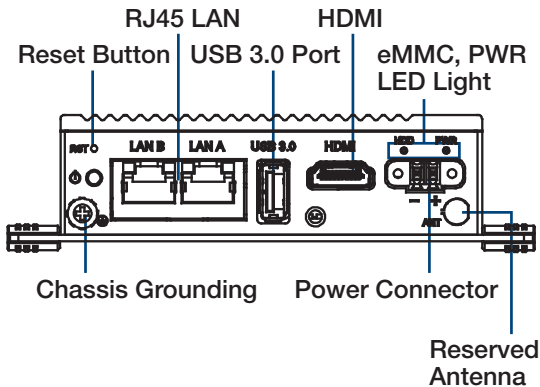
SPECIFICATIONS

GENERAL	
Certification	CE, FCC, UL, CCC, BSMI
Dimensions	100W x 70D x 30H mm (3.9W x 2.8D x 1.2H inches)
Form Factor	Pocket size, same dimension as standard 2.5 inch SSD/HD
Enclosure	Aluminum housing
Mounting	Stand, Wall, VESA (optional), DIN-rail (optional), Pole (optional)
Weight (net)	0.6 kg (1.32 lbs)
Power Requirement	10 ~ 30VDC
Power Consumption	12W (typical), 20W (maximum)
OS Support	Windows10 LTSB installed on 128G mSATA
SYSTEM HARDWARE	
BIOS	AMI EFI64 Mbit
Watchdog Timer	Programmable 256 levels timer interval, from 1 to 255 seconds. Interrupt, system reset.
Processor	Intel Atom E3815 1.46GHz (E3825 support by project)
System Chip	Intel Atom SoC integrated
Memory	Onboard 4GB DDR3L 1066 MHz, built-in
Graphics Engine	Intel® HD graphics
Ethernet	Realtek RTL8111E GbE, 802.10av
LED Indicators	LEDs for Power, HDD, LAN (Active, Status)
Storage	Onboard 32G eMMC (Plus 128G mSATA)
Expansion	1 x Full-size mPCIe slot

SPECIFICATIONS - continued

I/O INTERFACES	
LAN Ports	2 x RJ45, 10/100/1000 Mbps IEEE 802.3u 1000Base-T Fast Ethernet
USB Ports	1 x USB 3.0
Displays	1 x HDMI, supports 1920 x 1080 @ 60Hz
Power Connector	1 x 2 pins, Terminal block
Grounding Protection	Chassis grounding
ENVIRONMENT	
Operating Temperature	0 ~ 50°C (32 ~ 122°F) @ 5 ~ 85% RH with 0.7 m/s airflow
Storage Temperature	- 20 ~ 70°C (-4 ~ 158°F)
Relative Humidity	10 ~ 95% RH @ 40°C, non-condensing
Shock Protection	Operating, IEC 60068-2-27, 50G, half sine, 11 ms
Vibration Protection	Operating, IEC 60068-2-64, 2 Grms, random, 5 ~ 500 Hz, 1hr/axis (mSATA)
Ingress Protection	IP30

FRONT I/O VIEW



MECHANICAL - DIMENSIONAL DRAWING

Units = mm

