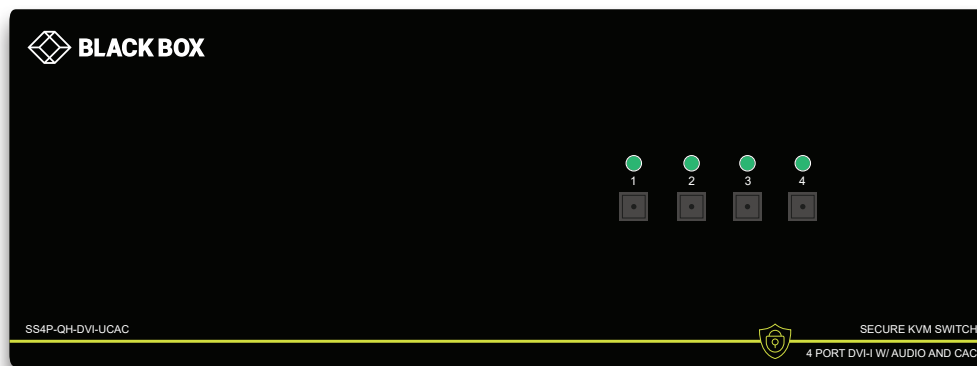


Secure 4-Port, Quad-Head DVI-I KVM Switch with Dedicated CAC Port and 4K Ultra-HD Support.



KEY FEATURES

- Supports Windows, Mac and Linux OS
- Quad-head DVI-I video interface
- Native DVI-I resolutions support up to 2560x1600 @ 60Hz
- 4K Ultra-HD resolution - supports up to 3840 x 2160 @ 30Hz via adaptor
- Supports balanced speakers output and switching
- Advanced configurable CAC port
- Supports legacy PS/2 keyboard and mouse
- Front panel tactile buttons with LED indicator
- External power supply - Level VI efficiency

SECURITY FEATURES

- Non-reprogrammable ROM
- Active Anti-tamper switches
- Long-life internal Anti-tampering battery
- External tamper-evident seals
- Keyboard, Mouse and Video emulation
- Absolute isolation - No data leakage between ports
- Certified by NIAP, the latest Common Criteria (Protection Profile for Peripheral Sharing Switch Version 3.0)

APPLICATIONS

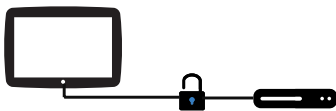
- | | |
|---|--|
| <ul style="list-style-type: none"> • Government Operations • Defense Applications • Secure Control Rooms • Corporate Communications • Server Operations • Educational Administrations | <ul style="list-style-type: none"> • Medical Facilities • Banking Network • Insurance Data Centers • Transit Management • Industrial Operation • Intelligence Communications |
|---|--|



WHY SECURE KVM?

Traditional non-secure KVM switches offer centralized control of multiple computers, but offer no absolute isolation between them. This exposes systems to the possibility of malicious damage and disruption, and acquisition of sensitive data from one computer to another.

Black Box's Secure KVM Switch is designed for use in secure defense and intelligence applications where sensitive data must be protected. The Secure KVM Switch is NIAP PP 3.0 certified and equipped with the highest security features that meet today's Information Assurance safe control standards. The switch prevents data leakage between computers that can run at different security levels, and eliminates any potential cyber threat.



SECURE EDID LEARN AND VIDEO EMULATION

The SS4P-QH-DVI-UCAC simulates a generic EDID as default, allowing it to operate most of the connected monitors. Both selected and non-selected computers maintain a constant connection with the unit's video emulation controllers, allowing for ultra-fast switching and restricting discovery of newly connected monitors during switching operations. Upon activating the KVM, the unit will quickly and automatically learn new EDID for specific monitors. The unit then prevents unwanted and unsecure data from getting transmitted through DDC lines by means of secure EDID learning and emulation.



CAC SUPPORT

Many secure KVM switches support CAC devices, such as smart-card and biometric readers, bolstering security when using the device. However, Black Box takes CAC security even further, allowing users to assign specific peripheral devices to the SS4P-QH-DVI-UCAC's CAC port. Once a peripheral device has been registered by an authenticated admin, users can then switch the connection between that device and the PC's along with KVM switching.



ULTRA-SECURE KVM SWITCHING

The SS4P-QH-DVI-UCAC allows users to control KVM (Keyboard, Video and Mouse) operation on up to four computers with DVI displays. It features mechanical, electrical and optical signal isolation to prevent hacking and data leakage in environments where security is paramount.

With the SS4P-QH-DVI-UCAC, all data relays are controlled by inverted signals, shielding connections from outside intrusion by forcing them each to work one at a time. Each port uses its own isolated data channel and each unit features non-reprogrammable ROM to better protect the switch's functions. Better yet, the SS4P-QH-DVI-UCAC offers the highest security when accessing classified and public networks over the internet through these isolated connections. By isolating connections between networks, the SS4P-QH-DVI-UCAC ensures no data is leaked between secure ports and the outside world.

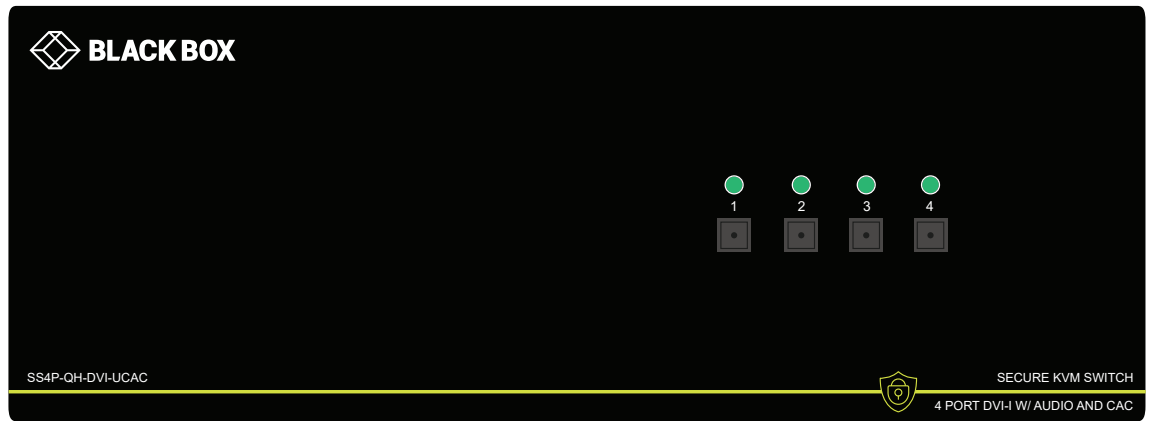
The SS4P-QH-DVI-UCAC has clearly marked front-panel buttons for controlling the device, so securely switching between sources is always simple. For high-grade secure switching made easy, look no further than the SS4P-QH-DVI-UCAC.



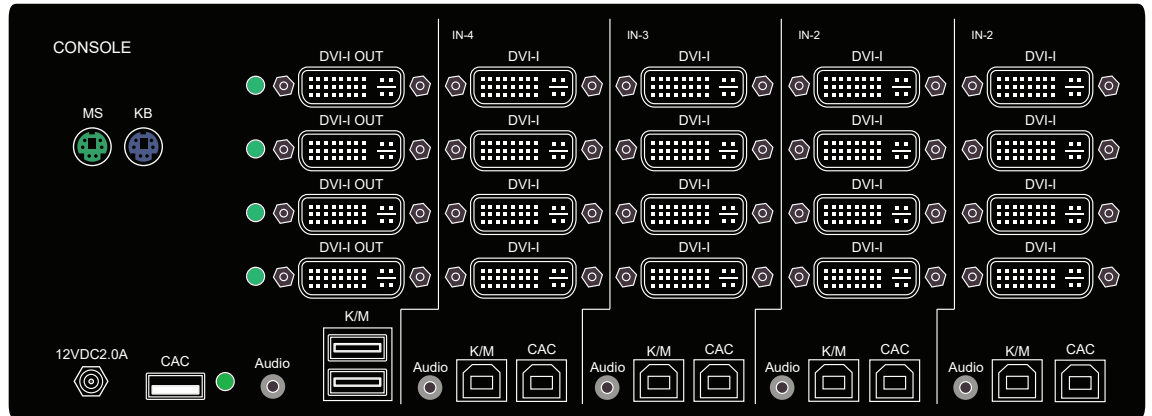
KEYBOARD AND MOUSE EMULATION

The Secure KVM emulates (simulates) the presence of a keyboard and mouse for every attached computer through a USB cable. Both selected and non-selected computers maintain a constant connection with the unit's keyboard-mouse emulation controllers, allowing for ultra-fast switching and restricting discovery of newly connected peripherals during switching operations. Emulation of keyboard and mouse also prevents direct connection between the peripherals and the connected computers, shielding systems from potential vulnerabilities.

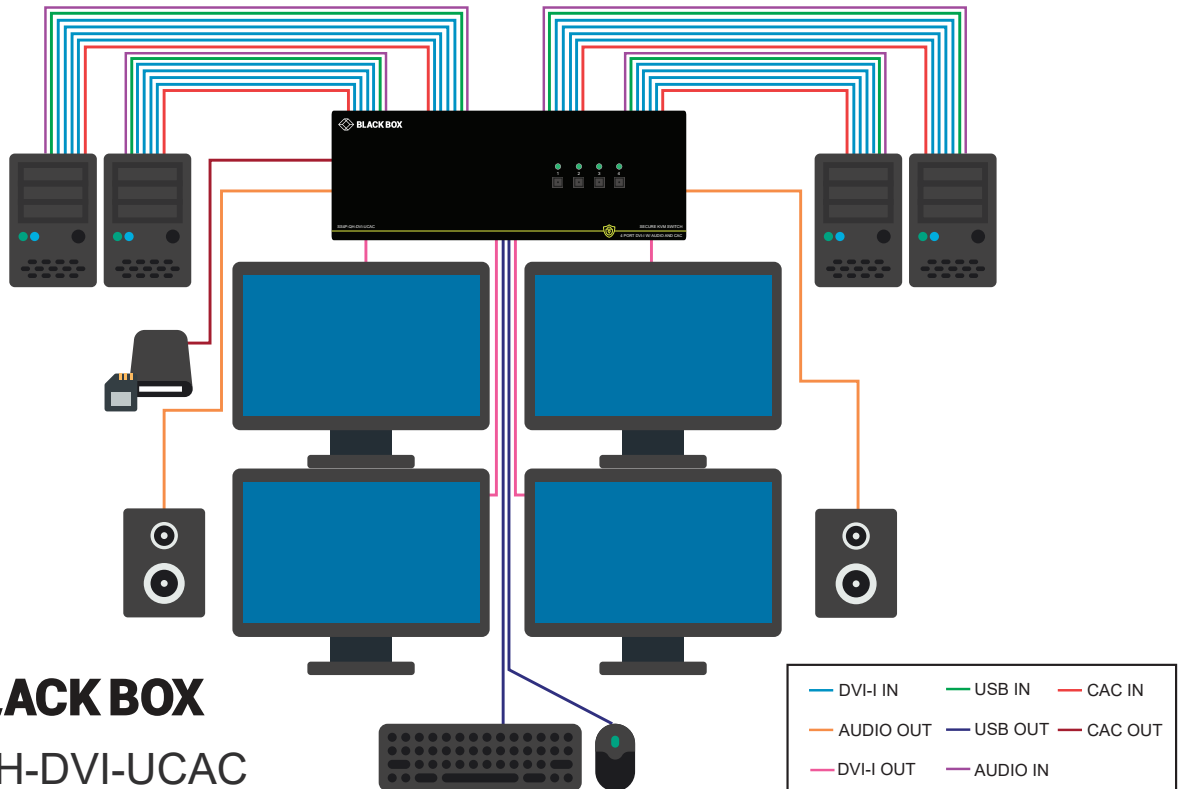
SS4P-QH-DVI-UCAC
(Front)



SS4P-QH-DVI-UCAC
(Back)



INSTALLATION DIAGRAM



SPECIFICATIONS

VIDEO	
Format	DVI-I Dual Link, DVI 1.0, DVI-D, XGA
Max. Pixel Clock	248 MHz
Input Interface	(16) DVI-I 29-pin
Output Interface	(4) DVI-I 29-pin
Resolution	Up to 4K (3840x2160 @30Hz)
DDC	5 volts p-p (TTL)
Input Equalization	Automatic
Input Cable Length	Up to 20 ft.
Output Cable Length	Up to 20 ft.
Data Rate	1.65 Gbps
USB	
Input Interface	(8) USB Type B
Output Interface	(2) USB 1.1 Type A for KM Devices
Emulation	USB 1.1 and USB 2.0 Compatible
CAC	Configurable USB 2.0 Port

AUDIO	
Audio Input	(4) 3.5mm stereo audio
Audio Output	(1) 3.5mm stereo audio
PS/2	
Connector	(2) 6-pin Mini-DIN female K/M
CONTROL	
Front Panel	Front panel SELECT buttons
OTHER	
Power	External 100-240 VAC/ 12VDC2A @ 36W
Dimensions	12.57" W x 4.9" H x 6.69" D
Weight	4.0 lbs
Approvals	NIAP PP 3.0, UL, CE, ROHS Compliant
Operating Temp.	+32 to +104°F (0 to +40°C)
Storage Temp.	-4 to 140°F (-20 to +60°C)
Humidity	Up to 80% (no condensation)

ORDERING INFORMATION	
Part No.	Description
SS4P-QH-DVI-UCAC	4-port Quad-Head Secure Pro DVI-I KVM w/ audio and CAC, PP 3.0 with power supply 12VDC/3A

Black Box Corporation

1000 Park Drive
Lawrence, PA 15055-1018

Phone: 877-877-2269
Toll Free: 1-800-316-7107

www.blackbox.com