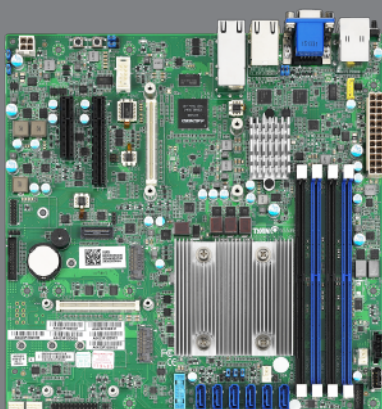
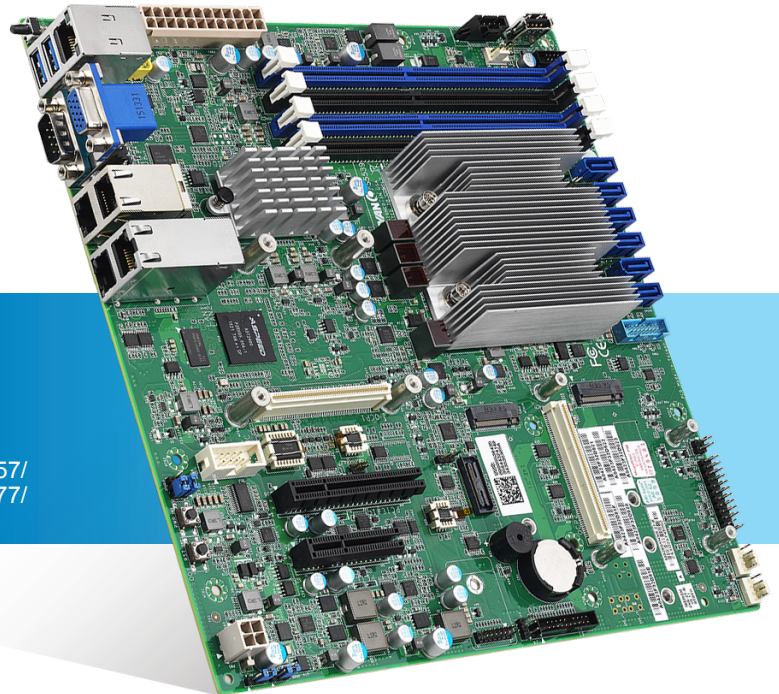


INTEL XEON-D SINGLE-SOC STORAGE SERVER PLATFORM

S5539

S5539GM4NR-D41-2T / S5539GM2NR-D41
S5539GM2NR-D31 / S5539GM2NR-D21/S5539GM2NR-D57/
S5539GM2NR-D67/ S5539GM2NR-D71/ S5539GM2NR-D77/
S5539GM2NR-D81/ S5539GM4NR-D81-2T



■ Intel® D processor

Single-socket server/workation implementation for Cloud/Storage deployment

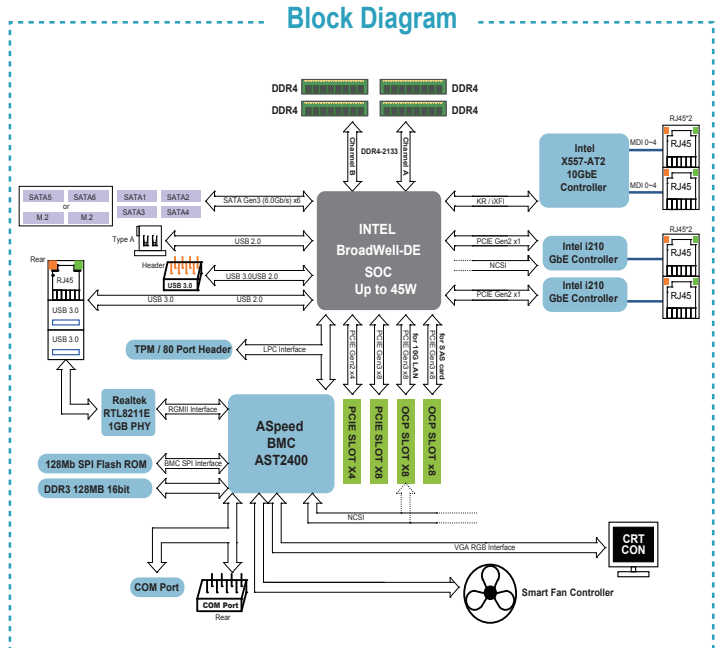
- Single Intel® Xeon® processor D-1541 SoC, 8 cores (-D41-2T/ -D41 SKU)
- Single Intel® Xeon® processor D-1531 SoC, 6 cores (-D31 SKU)
- Single Intel® Xeon® processor D-1521 SoC, 4 cores (-D21 SKU)
- Single Intel® Xeon® processor D-1557 SoC, 12 cores (-D57 SKU)
- Single Intel® Xeon® processor D-1567 SoC, 12 cores (-D67 SKU)
- Single Intel® Xeon® processor D-1571 SoC, 16 cores (-D71 SKU)
- Single Intel® Xeon® processor D-1577 SoC, 16 cores (-D77 SKU)
- Single Intel® Xeon® processor D-1581 SoC, 16 cores (-D81-2T/-D81 SKU)
- (4) DIMM slots
Support up to 64GB UDIMM DDR4 2133
Support up to 128GB RDIMM DDR4 2133
- (1) PCI-E Gen2 x4 slot
(1) PCI-E Gen3 x8 slot
(2) OCP slots for TYAN LAN/SAS Card
- (6) SATA HDDs by SATA-III connectors running at 6.0Gb/s
- Max up to (2) 10GbE ports + (2) GbE ports + (1) PHY port
(via Intel® X557-AT2 & Intel® I210 & Realtek RTL8211E) (-D41-2T SKU only)
- Micro ATX 9.6"x9.6" (243.8x243.8mm)

S5539

S5539GM4NR-D41-2T / S5539GM2NR-D41/ S5539GM2NR-D31 / S5539GM2NR-D21 / S5539GM2NR-D57 / S5539GM2NR-D67/ S5539GM2NR-D71/ S5539GM2NR-D77/ S5539GM2NR-D81/ S5539GM4NR-D81-2T

TYAN Specifications

Processor	Supported CPU Series	Intel® Xeon® processor D-1541 SoC, 8 cores(-D41-2T/ -D41 SKU) / Intel® Xeon® processor D-1531 SoC, 6 cores(-D31 SKU) / Intel® Xeon® processor D-1521 SoC, 4 cores(-D21 SKU) / Intel® Xeon® processor D-1557 SoC, 12 cores(-D57 SKU) / Intel® Xeon® processor D-1567 SoC, 12 cores(-D67 SKU) / Intel® Xeon® processor D-1571 SoC, 16 cores(-D71 SKU) / Intel® Xeon® processor D-1577 SoC, 16 cores(-D77 SKU) / Intel® Xeon® processor D-1581 SoC, 16 cores(-D81-2T/-D81 SKU)	
	Socket Type / Q'ty	-	
	Thermal Design Power (TDP) wattage	Max up to 65W	
Chipset	PCH / PCI-E Switch	-	
	Super I/O	-	
Memory	Supported DIMM Qty	(4) DIMM slots	
	DIMM Type / Speed	UDIMM/RDIMM DDR4 2133	
	Capacity	Up to 64GB/128GB UDIMM/RDIMM	
	Memory channel	2 Channels	
	Memory voltage	1.2V	
Expansion Slots	PCI-E	(1) PCI-E Gen2 x4 slot / (1) PCI-E Gen3 x8 slot	
	PCI	-	
	Note	(2) OCP slots for TYAN LAN/SAS Card	
LAN	Port Q'ty	(2) 10GbE ports, (2) GbE ports (-D41-2T SKU only) or (2) GbE ports	
	Controller	Intel® X557-AT2/ Intel® I210	
	PHY	(1)	
	Controller	Realtek RTL8221E	
Storage	SATA	Connector	(6) SATA
		Controller	Intel® Xeon® processor D-1541 SoC, 8 cores(-D41-2T/ -D41 SKU) / Intel® Xeon® processor D-1531 SoC, 6 cores(-D31 SKU) / Intel® Xeon® processor D-1521 SoC, 4 cores(-D21 SKU) / Intel® Xeon® processor D-1557 SoC, 12 cores(-D57 SKU) / Intel® Xeon® processor D-1567 SoC, 12 cores(-D67 SKU) / Intel® Xeon® processor D-1571 SoC, 16 cores(-D71 SKU) / Intel® Xeon® processor D-1577 SoC, 16 cores(-D77 SKU) / Intel® Xeon® processor D-1581 SoC, 16 cores(-D81-2T/-D81 SKU)
		Speed	6.0 Gb/s
		RAID	RAID 0/1/10/5 (Intel® RST)
Graphic	Connector type	D-Sub 15-pin	
	Resolution	Up to 1920x1200	
	Chipset	Aspeed AST2400	
Audio	Chipset	-	
	Version	-	
Input /Output	USB	(4) USB3.0 ports (2 at rear, 2 via cable) / (1) Type-A USB2.0 port	
	COM	(2) ports (1 at rear, 1 via cable)	
	Audio	-	
	VGA	(1) D-Sub 15-pin VGA port	
	DVI	-	
	Display Port	-	



Input /Output	RJ-45	(2) 10GbE ports + (2) GbE ports + (1) Dedicated for IPMI (-D41-2T SKU only) or (2) GbE ports + (1) Dedicated for IPMI
	SAS	-
	SATA	(6) SATA-III connectors
System Monitoring	Chipset	Aspeed AST2400
	Fan	Total (3) 4-pin headers
	Temperature	Monitors temperature for CPU & memory & system environment
	LED	Over temperature warning indicator / Fan & PSU fail LED indicator
	Others	Watchdog timer support
Server Management	Onboard Chipset	Onboard Aspeed AST2400
	AST2400 IPMI Feature	IPMI 2.0 compliant baseboard management controller (BMC) / Supports storage over IP and remote platform-flash / USB 2.0 virtual hub
	AST2400 iKVM Feature	24-bit high quality video compression / 10/100 Mb/s MAC interface
BIOS	Brand / ROM size	AMI / 16MB
	Feature	Hardware Monitor / SMBIOS 2.7/PnP/Wake on LAN / PXE boot support / ACPI 3.0/ACPI sleeping states S4,S5
Form Factor	Form Factor	Micro ATX
	Board Dimension	9.6"x9.6" (243.8x243.8mm)
Operating System	OS supported list	Please refer to our Intel OS supported list.
Regulation	FCC (DoC)	Class A
	CE (DoC)	Yes
Operating Environment	Operating Temp.	10° C ~ 35° C (50° F ~ 95° F)
	Non-operating Temp.	- 40° C ~ 70° C (-40° F ~ 158° F)
	In/Non-operating Humidity	90%, non-condensing at 35° C
RoHS	RoHS 6/6 Compliant	Yes

(Specifications are subject to change without notice. Items pictured may only be representative.)

MiTAC Computing Technology Corp
TYAN Business Unit

USA
Tel: +1-510-651-8868
Fax: +1-510-651-7688

Taiwan
Tel: +886-2-2652-5888
Fax: +886-2-2652-5805

Japan
Tel: +81-3-3769-8311
Fax: +81-3-3769-8328

China
Shanghai Tel: +86-21-61431188 Ext 1366
China Tel: +86-010-62555015 Ext 8302

