

Product Highlights

Rugged Construction

IP66 weatherproof housing and IK10 vandal-proof housing makes the DCS-4602EV-VB1 ideal for the most demanding of surveillance applications

Full HD Resolution with Wide Dynamic Range

A high-resolution megapixel sensor provides 1080p resolution while Wide Dynamic Range technology ensures that you capture the details you need

Complete Day/Night Surveillance Solution

Keep watch over an area 24 hours a day with built-in night vision; the IR LEDs and automatic IR-cut filter give you a clear picture, even in complete darkness



DCS-4602EV-VB1

Vigilance 2 Megapixel H.265 Outdoor Dome Camera

Features

Exceptional Video Quality

- 1/2.7" megapixel progressive CMOS sensor
- Full HD resolution of 1920 x 1080
- Wide Dynamic Range (WDR) image enhancement
- H.265, H.264, MJPEG codec support for streaming and recording
- Motion detection
- Privacy mask

Outdoor Placement

- Built-in IR LED illuminator with a 20-meter range for use in dark areas
- Range of mounting options for flexible placement
- Rugged IP66 weatherproof housing
- IK10 vandal-proof housing to protect unit when mounted outdoors

Flexibility

- 10/100 Fast Ethernet port
- Power over Ethernet (PoE) ensures easy and flexible integration into your network
- microSD card slot for onboard storage¹

The D-Link DCS-4602EV-VB1 Vigilance 2 Megapixel H.265 Outdoor Dome Camera is a high-definition professional surveillance solution suitable for small, medium, and large enterprises. The camera uses a high-sensitivity 1/2.7" megapixel progressive scan CMOS sensor with onboard WDR image enhancement to deliver truly superior quality video in all conditions. The all-in-one rugged design makes this camera extremely reliable and ideal for deployment in surveillance applications without the need for additional accessories.

High-Quality Streaming & Recording

To maximize bandwidth efficiency and improve image quality, the DCS-4602EV-VB1 provides real-time video compression using the H.265, H.264, and MJPEG codecs, and supports three separate profiles for simultaneous video streaming and recording. Video resolutions of up to 1920 x 1080 provide clear details, and noise reduction and support for simultaneous video streams improves quality in case forensic work is required for evidence. Additional support for motion detection, event management features, and ePTZ allow for implementation in a wide variety of surveillance applications such as monitoring public areas to detect incidents and to coordinate responses, enforcing access control to restricted areas, deterring criminal activity, or monitoring inventory.

Versatile Monitoring in All Environments

The DCS-4602EV-VB1's features WDR image enhancement to deliver improved image quality in conditions with uneven or difficult lighting, so you can identify subjects that are backlit or in brightly-lit areas. In low-light situations, the IR-cut filter automatically slides out of the way to use all available light. The DCS-4602EV-VB1 also has built-in IR LED illuminators with a 20-meter range, allowing the camera to keep watch even in complete darkness. IP66 certification ensures the camera is completely protected from dust and water in any environment and IK10 certified vandal-proof housing makes sure it keeps recording even when intruders attempt to sabotage the camera. These features work together to give you a reliable surveillance camera capable of monitoring indoors or outdoors 24/7.

Vigilance 2 Megapixel H.265 Outdoor Dome Camera

Robust Management Software

The DCS-4602EV-VB1 Vigilance 2 Megapixel H.265 Outdoor Dome Camera includes D-ViewCam, a complete surveillance software package that enables you to view, manage, and record from up to 32 cameras on a single computer in a central location. Recordings and e-mail alerts can be triggered upon motion detection or by digital input devices. This feature automatically keeps a record of any unusual activity and notifies administrators when no one is around to monitor on-site.

Flexible Connectivity

The DCS-4602EV-VB1 has built-in 802.3af-compliant PoE support that simplifies installation by providing power and networking connectivity over a single standard network cable: This feature can speed along installation by reducing the need to lay extra electrical wiring and install outlets in the location since a power supply is not required.

Technical Specifications

Camera

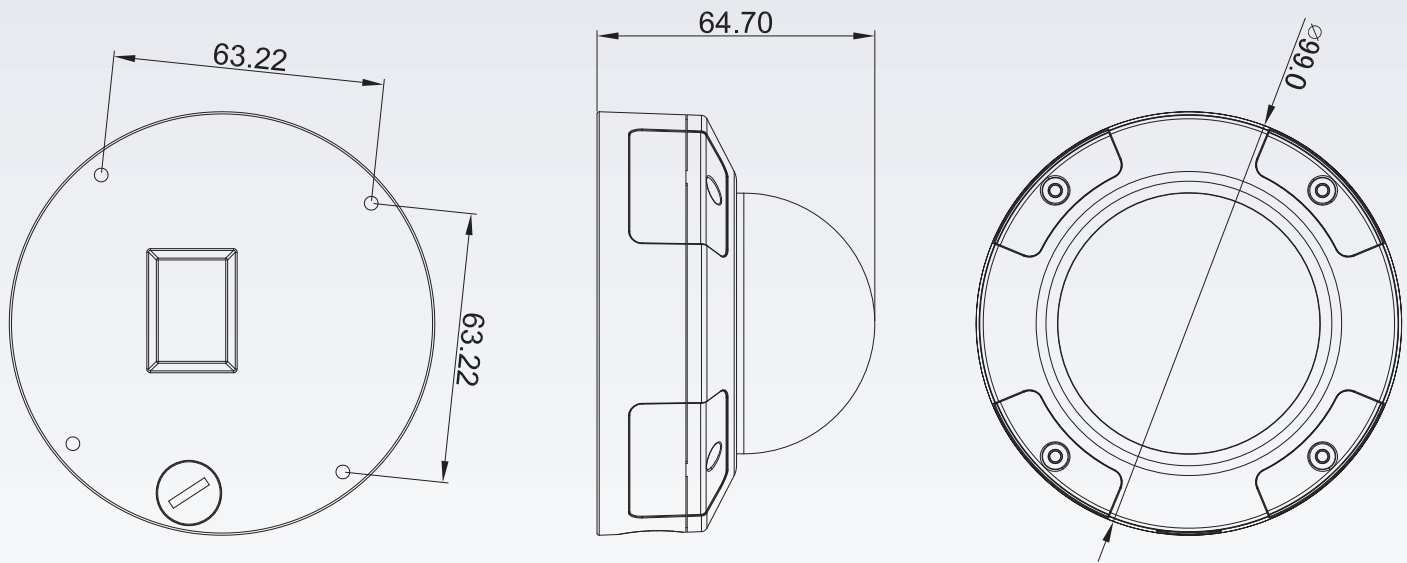
Camera Hardware Profile	<ul style="list-style-type: none"> • 1/2.7" 2 Megapixel progressive CMOS sensor • 20 meter IR illumination distance • Minimum illumination: <ul style="list-style-type: none"> • 0.1 lux / F2.0 (color) • 0.05 lux / F2.0 (B/W) • 0 lux / F2.0 (IR-LED on) • Built-in Infrared-Cut Removable (ICR) Filter module • 10x digital zoom • Minimum object distance 0.2M 	<ul style="list-style-type: none"> • Focal length: 2.8 mm • Aperture: F2.0 • Angle of view: <ul style="list-style-type: none"> • (H) 120° • (V) 66° • (D) 140° • Adjustment angle (non-motorized): <ul style="list-style-type: none"> • Vertical: 30~90° • Horizontal: -120~120°
Camera Housing	<ul style="list-style-type: none"> • IP66-compliant weatherproof housing 	<ul style="list-style-type: none"> • IK10 vandal-proof housing
Image Features	<ul style="list-style-type: none"> • Configurable image size, quality, frame rate, and bit rate • Configurable motion detection windows • Configurable privacy mask zones • Configurable shutter speed, brightness, saturation, contrast, sharpness and 3D filter. 	<ul style="list-style-type: none"> • Auto White Balance (AWB) • Auto Gain Control (AGC) • Wide Dynamic Range (WDR) • Time stamp and text overlays
Video Compression	<ul style="list-style-type: none"> • Simultaneous H.265/H.264/MJPEG format compression • H.265/H.264/MJPEG multicast streaming 	<ul style="list-style-type: none"> • JPEG for still images
Video Resolution	<ul style="list-style-type: none"> • 16:9 - 1920 x 1080, 1280 x 720, 800 x 448, 640 x 360 up to 30 fps 	<ul style="list-style-type: none"> • 4:3 - 1600 x 1200, 1440 x 1080, 1280 x 960, 900 x 720, 800 x 600, 640 x 480 up to 30 fps
External Device Interfaces	<ul style="list-style-type: none"> • 10/100 BASE-TX Fast Ethernet port 	<ul style="list-style-type: none"> • Supports 802.3af PoE Class 3

Vigilance 2 Megapixel H.265 Outdoor Dome Camera

Network		
Network Protocols	<ul style="list-style-type: none"> • IPv6 • IPv4 • ARP • TCP/IP • UDP • ICMP • DHCP client • NTP client (D-Link) • DNS client • DDNS client (D-Link) • SMTP client • FTP client 	<ul style="list-style-type: none"> • HTTP/HTTPS • Samba client • PPPoE • UPnP port forwarding • RTP/RTSP/RTCP • IP filtering • Multicast • CoS • QoS/DSCP • SNMP • ONVIF compliant
Security	<ul style="list-style-type: none"> • Administrator and user group protection • Password authentication 	<ul style="list-style-type: none"> • HTTP and RTSP authentication
System Management		
Event Management	<ul style="list-style-type: none"> • Motion detection • Tamper detection • Event notification and uploading of snapshots/video clips via e-mail or FTP 	<ul style="list-style-type: none"> • Supports multiple SMTP and FTP servers • Multiple event notifications • Multiple recording methods for easy backup
Remote Management	<ul style="list-style-type: none"> • Take snapshots/video clips and save to local hard drive 	<ul style="list-style-type: none"> • Configuration interface accessible via web browser
System Requirements for Web Interface	<ul style="list-style-type: none"> • Operating System: Microsoft Windows 10 / 8 / 7 	<ul style="list-style-type: none"> • Browser: Internet Explorer, Firefox, Chrome
D-ViewCam™ System Requirements	<ul style="list-style-type: none"> • Operating System: <ul style="list-style-type: none"> • 32-bit: Windows 8 / 7 (SP1) • 64-bit: Windows 10 / 8 / 7 (SP1) / Server 2012 / Server 2008 R2 	<ul style="list-style-type: none"> • Web Browser: Internet Explorer 7 or higher • Protocol: Standard TCP/IP
D-ViewCam™ Software Functions	<ul style="list-style-type: none"> • Remote management/control of up to 32 cameras • Supports all management functions provided in web interface 	<ul style="list-style-type: none"> • Viewing of up to 32 cameras on one screen • Scheduled motion triggered, or manual recording options
General		
Weight	<ul style="list-style-type: none"> • 365 g ± 5% 	
Power	<ul style="list-style-type: none"> • Input: 100 to 240 V AC, 50/60 Hz 	<ul style="list-style-type: none"> • Output: 12 V DC 1.5 A
Power Consumption	<ul style="list-style-type: none"> • 6.6 W ± 5% (PoE) 	
Temperature	<ul style="list-style-type: none"> • Operating: -30 to 50 °C (-22 to 124 °F) 	<ul style="list-style-type: none"> • Storage: -20 to 70 °C (-4 to 158 °F)
Humidity	<ul style="list-style-type: none"> • Operating: 20% to 80% non-condensing 	<ul style="list-style-type: none"> • Storage: 5% to 95% non-condensing
Certifications	<ul style="list-style-type: none"> • CE • CE LVD 	<ul style="list-style-type: none"> • FCC • RCM
Warranty	<ul style="list-style-type: none"> • 5 Year Limited 	

Vigilance 2 Megapixel H.265 Outdoor Dome Camera

Dimensions



Order Information

Part Number	Description
DCS-4602EV-VB1	Vigilance 2 Megapixel H.265 Outdoor Dome Camera

Optional Accessories

Model Name	• Wall-Mount Bracket	• Ceiling-Mount Bracket	• Angled Ceiling-Mount Bracket
Model Number	• DCS-37-1	• DCS-37-2	• DCS-37-3
Product Image			
Dimensions (L x W x H)	• 183 x 120 x 90 mm	• Ø 117 x 40 mm	• Ø 129 x 72.1 mm
Weight	• 567 g	• 237 g	• 73 g
Maximum Load	• 2 kg	• 2 kg	• 4 kg
Material	• Metal	• Metal	• Polycarbonate
Camera Models Supported	<ul style="list-style-type: none"> • DCS-4602EV² • DCS-4603 • DCS-4633EV² • DCS-4802E • DCS-6212L 	<ul style="list-style-type: none"> • DCS-4602EV² • DCS-4603 • DCS-4633EV² • DCS-4802E • DCS-6212L 	<ul style="list-style-type: none"> • DCS-4602EV² • DCS-4603 • DCS-4633EV² • DCS-4802E • DCS-6212L

¹The camera is compatible with microSD cards up to v3.01 and is not compatible with v4.x cards.

²DCS-4602EV B1 and DCS-4633EV A1 are compatible with DCS-37-1 A2 and DCS-37-2 A2.

Updated 07/06/2018

For more information

U.S.A. | 17595 Mt. Herrmann Street | Fountain Valley, CA 92708 | 800.326.1688 | dlink.com

©2018 D-Link Corporation/D-Link Systems, Inc. All rights reserved. D-Link and the D-Link logo are registered trademarks of D-Link Corporation or its subsidiaries in the United States and/or other countries. Other trademarks or registered trademarks are the property of their respective owners.

All references to speed are for comparison purposes only. Product specifications, size and shape are subject to change without notice, and actual product appearance may differ from that depicted herein.

Visit us.dlink.com for more details.