

# ENTERPRISE TABLET LITE™

A fully integrated system that offers complete security and interactivity; all while maintaining the mobility, simplicity and ease-of-use that makes the iPad such a revolutionary tool for businesses.



# ENTERPRISE TABLET LITE™

Designed and engineered to retail proof the iPad, allowing full interactivity for business applications within multiple vertical markets.

## DESIGN BENEFITS

### Easy to Interact with Tablet

- Multiple orientations allows for integrated use, enhancing the sales or presentation experience
  - Rotate to portrait or landscape orientation
  - Swivel rotation from 180° to 0 to 180°
  - Tilt 90° for 'table top' orientation
- Quick release with integrated hand strap behind case — allows easy, single-hand hold or carry.

### Complete Integration

- Proprietary connection feature both secures and powers the tablet, making it simple and easy to set up
- Elite Enclosure™ keeps the tablet secure and protected while being fully integrated — no external wires for locking, docking and connectivity
  - Protects screen, buttons and connectors against drops, falls, and wear-and-tear from extensive use
- Optional accessory integration:
  - Card swipes, touch key pads
- Compatible with iOS

### Easy Release RFID Card Locking Technology

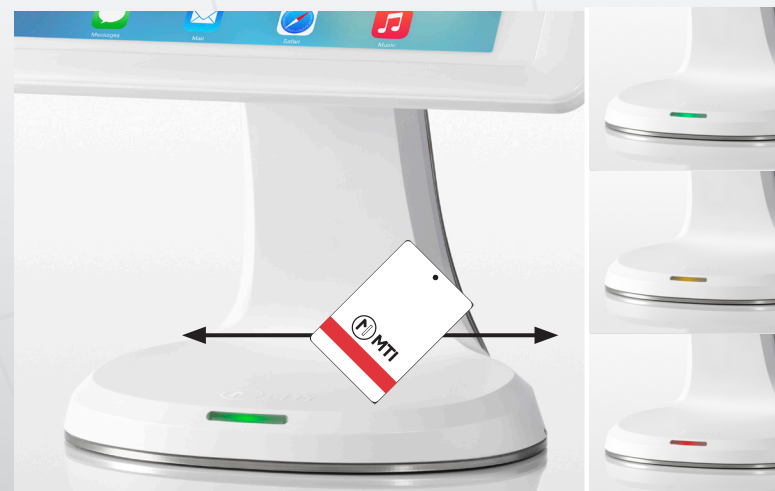
- Unlocks with one swipe of a card for single hand release
- Auto-locks when inserted into base, so tablet is always secure and charging
- Tablet Quick Release feature in event of a power outage means you're always in control of your technology
- Easy to read LED system:
  - Green = connected, secure and charging
  - Orange = RFID card has unlocked Tablet Pro Case™
  - Red = Tablet Pro Case™ is removed from universe docking port



Multiple tilt, pivot and swivel orientations.



Turns tablets into fully functional workstations.



RFID card swipe across base to release Enterprise Tablet Case™

# ENTERPRISE TABLET LITE™

PRODUCT SPECIFICATIONS

## Available Accessories

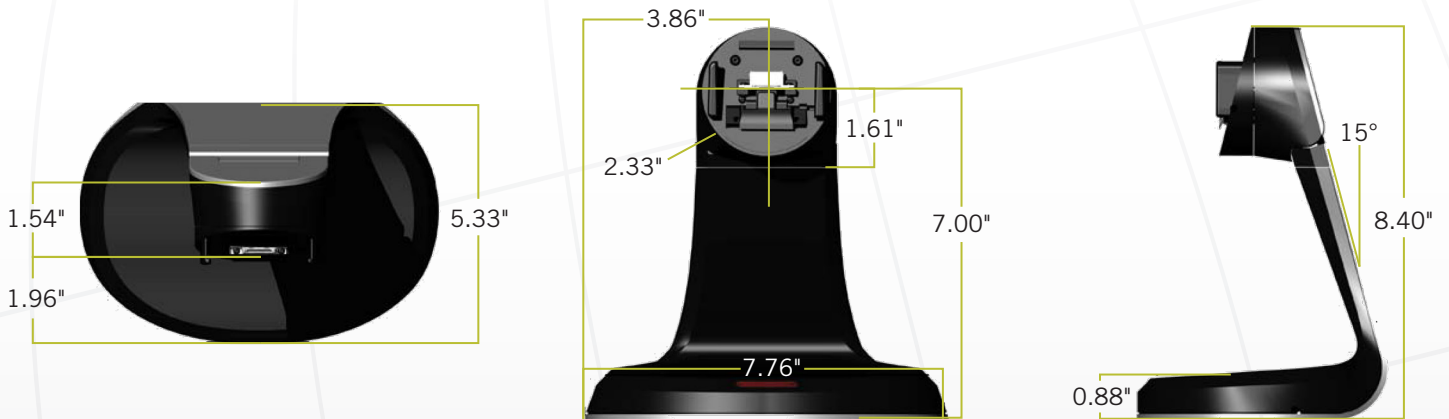


Plug and Play Magnetic Stripe Reader accessory



Ingenico EMV Cradle on Enterprise Tablet Pro

## Base Specifications



### CASE DIMENSIONS:

	Width	Height	Depth
iPad 2017	10.70"	7.68"	1.79"
iPad Air 2	10.70"	7.68"	1.74"
iPad Air	11.10"	7.67"	1.75"
iPad 4	8.01"	10.87"	3.77"
iPad mini	6.00"	9.89"	3.53"