

# Polacoat Flex Plex

The Flex Plex is designed for applications that cannot accommodate a large crate. It can be used with our nine standard coating options formulated to fit your application requirements. The Flex Plex is an acrylic, lightweight rear projection screen that ships in a roll. Coatings are permanently bonded to the substrate and cannot peel off.

## Features

- Ships in a roll
- Includes frame, mounting t-track and trim
- Larger sizes available upon request up to 103" high x 298" wide viewable
- 1/8" thick Da-Plex substrate



## 16:9 HDTV Format

Viewing Area (H x W)		Nominal Diagonal	
in.	cm	in.	cm
45" x 80"	114 x 203	92"	234
52" x 92"	132 x 234	106"	269
58" x 104"	147 x 366	119"	302
65" x 116"	165 x 295	133"	338
78" x 139"	198 x 353	159"	404
94½" x 168"	240 x 427	193"	490

## 16:10 Wide Format

Viewing Area (H x W)		Nominal Diagonal	
in.	cm	in.	cm
50" x 80"	127 x 203	94"	239
57½" x 92"	146 x 234	109"	277
60" x 96"	152 x 244	113"	287
65" x 104"	165 x 264	123"	312
69" x 110"	175 x 279	130"	330
72½" x 116"	184 x 295	137"	348
87" x 139"	221 x 353	164"	417

Available with the Following Optical Coatings



**DA-50 WA**  
Half Angle: 43° Gain: 0.5



**DA-75 WA**  
Half Angle: 78° Gain: 0.75



**DA-100 WA**  
Half Angle: 52° Gain: 1.0



**DA-100**  
Half Angle: 35° Gain: 1.0



**DA-130**  
Half Angle: 34° Gain: 1.3



**DA-150**  
Half Angle: 32° Gain: 1.5



**DA-180**  
Half Angle: 30° Gain: 1.8



**DA-230**  
Half Angle: 25° Gain: 2.3

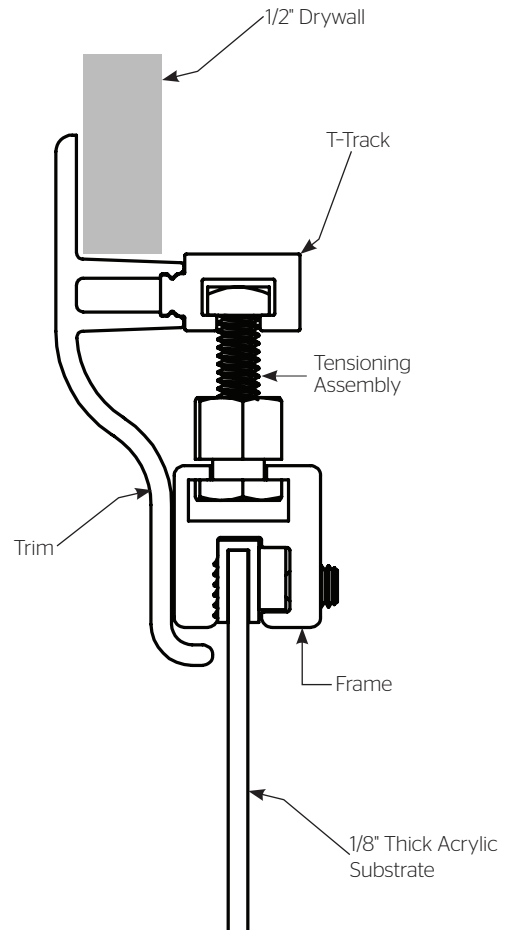


**Video Vision**  
Half Angle: 55° Gain: 1.0

Coating Options:

- High contrast tint (not available on Video Vision or Wide Angle Coatings)

Product Images



A BRAND OF MILESTONE AV TECHNOLOGIES | [www.milestone.com](http://www.milestone.com)

P 800.622.3737 / 574.267.8101 F 877.325.4832 / 574.267.7804

E [info@da-lite.com](mailto:info@da-lite.com)

In British Columbia, Milestone AV Technologies ULC carries on business as MAVT Milestone AV Technologies ULC.

©2018 Milestone AV Technologies, DL-0630 (Rev. 3) 0618.

Da-Lite is a registered trademarks of Milestone AV Technologies. All other brand names or marks are used for identification purposes and are trademarks of their respective owners. All patents are protected under existing designations. Other patents pending.