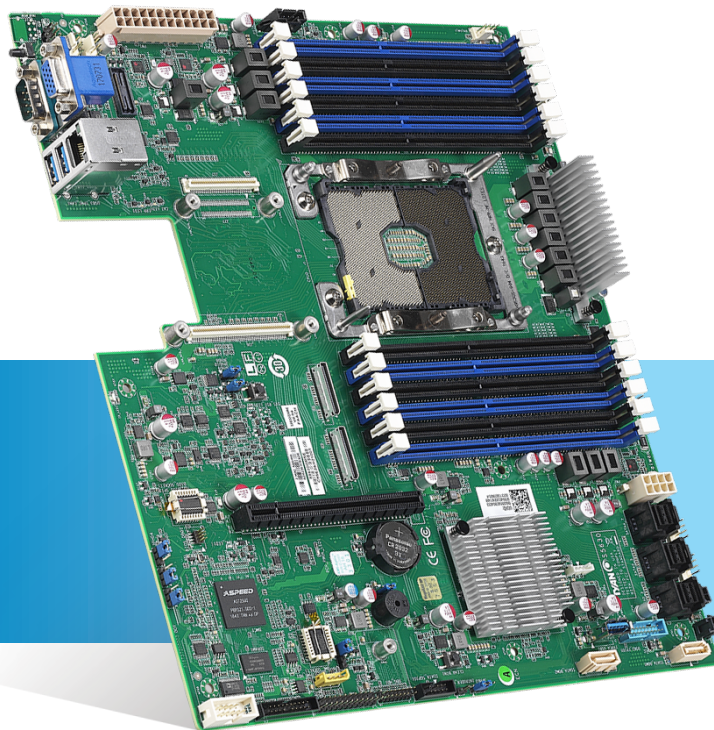
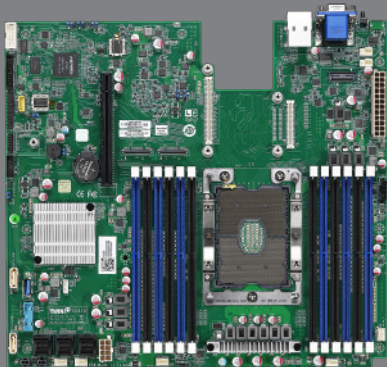


## SINGLE-SOCKET SERVER DEPLOYMENT



### Tempest CX S5630

S5630GMRE / S5630GMR / S5630GMRE-L2



■ Intel® C621/C622 Chipset

### Single-socket implementation for server/storage deployment

- Single LGA3647 socket supports (1) Intel® Xeon® Scalable Processor Family
- Intel® C621 / C622(-L2 SKU only)
- (12) DDR4 DIMM slots DDR4 RDIMM/RDIMM 3DS/LRDIMM/LRDIMM 3DS 2666 MHz
- Support up to 384GB RDIMM/ 768GB LRDIMM/ 1,536GB RDIMM 3DS/LRDIMM 3DS  
\*Follow latest Intel DDR4 Memory POR\*
- (1) PCI-E Gen3 x16 slot  
(1) PCI-E Gen3 x8 OCP 2.0 slot  
or (1) PCI-E Gen3 x8 OCP slot / (1) KR 10GbE Card connector
- (2) 8-pin SATA/SATA-DOM + (12) SATA/SAS ports by (3) mini-SAS HD connectors running at 6.0Gb/s w/ RAID 0, 1, 10, 5 support  
(2) PCI-E x4 SFF-8611 OCUlink connectors for (4) NVMe devices (-E SKU only)
- (1) PHY (via Realtek® RTL8211E)
- SSI CEB (12"x10.9") form factor



# Tempest CX S5630

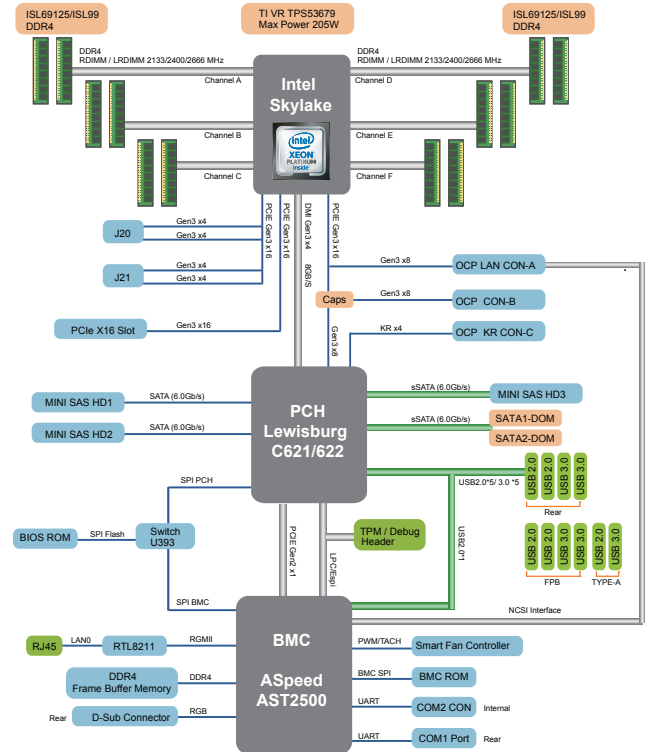
S5630GMRE / S5630GMR / S5630GMRE-L2

# TYAN

## Specifications

Processor	Supported CPU Series	Intel® Xeon® Scalable Processor Family	
	Socket Type / Q'ty	LGA3647/ (1)	
	Thermal Design Power (TDP) wattage	Max up to 205W	
Chipset	PCH / PCI-E Switch	Intel® C621 / C622(-L2 SKU only)	
	Super I/O	-	
Memory	Supported DIMM Qty	(12) DIMM sockets	
	DIMM Type / Speed	DDR4 RDIMM/RDIMM 3DS/LRDIMM/LRDIMM 3DS 2666	
	Capacity	Up to 384GB RDIMM/ 768GB LRDIMM/ 1,536GB RDIMM 3DS/LRDIMM 3DS *Follow latest Intel DDR4 Memory POR	
	Memory channel	6 Channels per CPU	
	Memory voltage	1.2V	
Expansion Slots	PCI-E	(1) PCI-E Gen3 x16 slot	
	Others	(1) PCI-E Gen3 x8 OCP 2.0 slot or (1) PCI-E Gen3 x8 OCP slot / (1) KR 10GbE Card connector	
LAN	PHY	(1) PHY dedicated for IPMI	
	Controller	Realtek® RTL8211E	
Storage	SATA	Connector	(2) Mini-SAS HD (8-ports)
		Controller	Intel® C621
		Speed	6.0 Gb/s
		RAID	RAID 0/1/10/5 (Intel RST)
	sSATA	Connector	(2) 8-pin SATA/SATA-DOM, (1) Mini-SAS HD (4-ports)
		Controller	Intel® C621
		RAID	RAID 0/1/10/5 (Intel RST) only for 4 SATA devices
NVMe (-E SKU only)	(2) PCI-E x4 SFF-8611 OcuLink connectors for (4) NVMe		
Graphic	Connector type	D-Sub 15-pin	
	Resolution	Up to 1920x1200	
	Chipset	Aspeed AST2500	
Input /Output	USB	(5) USB3.0 ports (2 at rear, 2 via cable, Type-A)	
	COM	(1) DB-9 COM Connector (at rear, COM1) + (1) Header (COM2)	
	Audio	-	
	VGA	(1) D-Sub 15-pin VGA port	
	DVI	-	
	Power	ATX 24-pin + 8-pin power connectors	
	RJ-45	(1) GbE port dedicated for IPMI	
	PSMI	-	
	Front Panel	(1) 2x12-pin SSI front panel header	
	SATA	(2) 8-pin SATA/SATA-DOM connectors + (3) Mini-SAS HD (4-in-1) connectors	
TPM (Optional)	TPM Support	Please refer to our TPM supported list.	
System Monitoring	Chipset	Aspeed AST2500	
	Voltage	Monitors voltage for CPU, memory, chipset & power supply	
	Fan	Total (6) 4-pin headers	
	Temperature	Monitors temperature for CPU & system environment	
	LED	Over temperature warning indicator / Fan & PSU fail LED indicator	
Server Management	Others	Watchdog timer support	
	Onboard Chipset	Onboard Aspeed AST2500	
	AST2500 IPMI Feature	IPMI 2.0 compliant baseboard management controller (BMC), Supports storage over IP and remote platform-flash, USB 2.0 virtual hub	
AST2500 iKVM Feature	24-bit high quality video compression, 10/100/1000 Mb/s MAC interface		

### Block Diagram



BIOS	Brand / ROM size	AMI / 32MB
	Feature	Hardware Monitor, SMBIOS 3.0/PnP/Wake on LAN, Boot from USB device/PXE via LAN/Storage, User Configurable FAN PWM Duty Cycle, Console Redirection, ACPI sleeping states S4,S5, ACPI 6.1
Form Factor	Form Factor	SSI CEB
	Board Dimension	12"x10.9" (305x276.86mm)
Operating System	OS supported list	Please refer to our Intel OS supported list.
Regulation	FCC (DoC)	Class A
	CE (DoC)	Yes
Operating Environment	Operating Temp.	10° C ~ 35° C (50° F ~ 95° F)
	Non-operating Temp.	-40° C ~ 70° C (-40° F ~ 158° F)
	In/Non-operating Humidity	90%, non-condensing at 35° C Non-operating Relative Humidity: 10% to 95% (non-condensing)
RoHS	RoHS 6/6 Compliant	Yes

(Specifications are subject to change without notice. Items pictured may only be representative.)

MiTAC Computing Technology Corp  
TYAN Business Unit

USA  
Tel: +1-510-651-8868  
Fax: +1-510-651-7688

Taiwan  
Tel: +886-3-327-5988  
Fax: +886-3-327-6312

China  
Shanghai Tel: +86-021-61431188 #1361  
China Tel: +86-010-62381108 #2485

Japan  
Tel: +81-3-3769-8311  
Fax: +81-3-3769-8328

EMEA  
Tel: +44 07540328523  
Email: robin.daunter@tyan.com