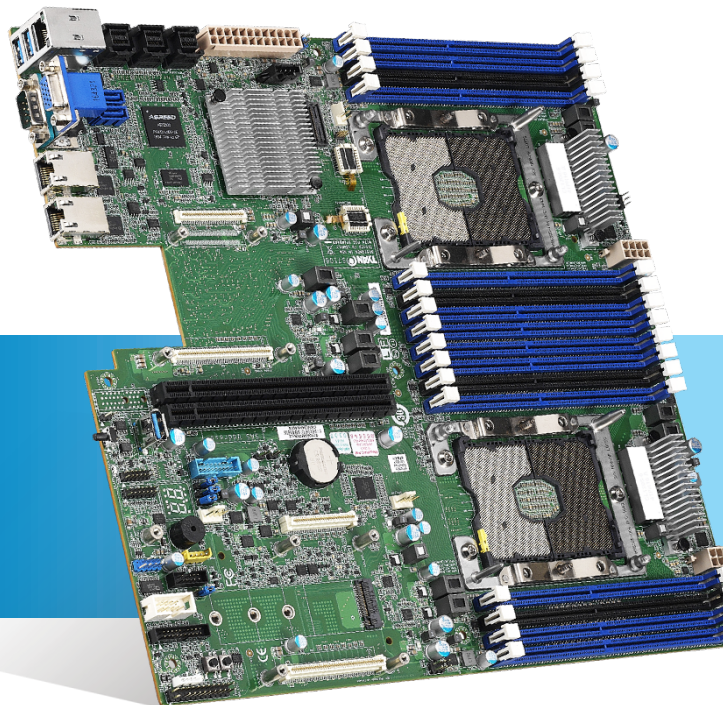
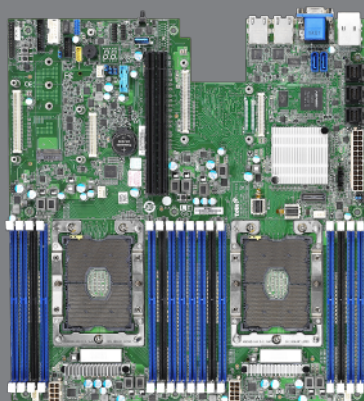


DUAL-SOCKET SERVER DEPLOYMENT



Tempest CX S7106

S7106GM2NR / S7106GM2NR-L2



■ Intel® C621/C622 Chipset

Rack-optimized dual-socket server implimentation for CSP deployment

- Dual LGA3647 socket supports (2) Intel® Xeon® Scalable Processor
- Intel® C621 or Intel® C622 (-L2 sku)
- (8+8) DDR4 DIMM slots DDR4 RDIMM/RDIMM 3DS/LRDIMM/LRDIMM 3DS 2666 MHz
- Support up to 512GB RDIMM/ 1,024GB LRDIMM/ 2,048GB LRDIMM 3DS
Follow latest Intel® DDR4 Memory POR
- (2) PCI-E Gen3 x24 slots + (2) PCI-E Gen3 x16 OCP 2.0 slots (conn.A+conn.B)
- (2) PCI-E Gen3 x24 slots + (1) PCI-E Gen3 x16 OCP 2.0 slots (conn.A+conn.B) + (1) PCI-E Gen3 x16 OCP 2.0 slots (conn.A+conn.B+conn.C) (-L2 Sku)
- (2) SATA-III + (12) SATA/SAS ports by (3) mini-SAS HD connectors running at 6.0Gb/s w/ RAID 0, 1, 10, 5 support
(1) M.2 connector (2242/2260/2280) by PCI-E interface
- (2) GbE LAN + (1) PHY (via Intel® I210-AT + via Realtek® RTL8211E)
- EATX (12" x 13") form factor



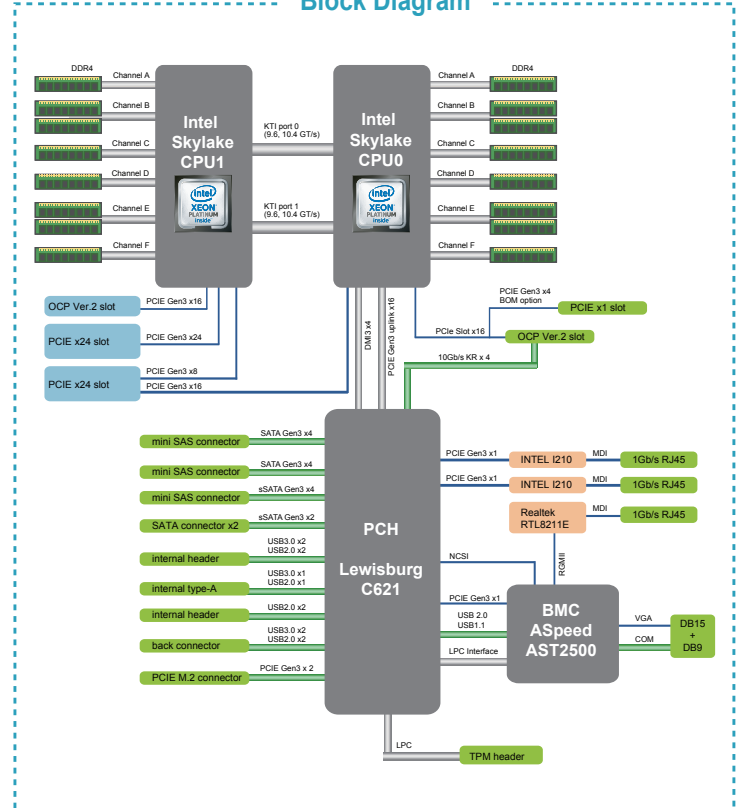
Tempest CX S7106

S7106GM2NR / S7106GM2NR-L2

TYAN Specifications

Processor	Supported CPU Series	Intel® Xeon® Scalable Processor	
	Socket Type / Qty	LGA3647/ (2)	
	Thermal Design Power (TDP) wattage	Max up to 205W	
Chipset	PCH / PCI-E Switch	Intel® C621 Intel® C622 (-L2 SKU)	
	Supported DIMM Qty	(8+8) DIMM sockets	
Memory	DIMM Type / Speed	DDR4 RDIMM/RDIMM 3DS/LRDIMM/LRDIMM 3DS 2666	
	Capacity	Up to 512GB RDIMM/ 1,024GB LRDIMM/ 2,048GB LRDIMM 3DS *Follow latest Intel DDR4 Memory POR	
	Memory channel	6 Channels per CPU	
	Memory voltage	1.2V	
Expansion Slots	PCI-E	(2) PCI-E Gen3 x24 slots	
	Others	(2) PCI-E Gen3 x16 OCP 2.0 slots (conn.A+conn.B) (1) PCI-E Gen3 x16 OCP 2.0 slots (conn.A+conn.B) + (1) PCI-E Gen3 x16 OCP 2.0 slots (conn.A+conn.B+conn.C) (-L2 SKU)	
	Port Q'ty	(2) GbE ports, (1) PHY dedicated for IPMI	
LAN	Controller	Intel® I210-AT	
	PHY	Realtek® RTL8211E	
Storage	SATA	Connector	(2) Mini-SAS HD (8-ports)
		Controller	Intel® C621 Intel® C622 (-L2 SKU)
		Speed	6.0 Gb/s
		RAID	RAID 0/1/10/5 (Intel RST)
	sSATA	Connector	(2) SATA-III, (1) Mini-SAS HD (4-ports)
		Controller	Intel® C621 Intel® C622 (-L2 SKU)
		Speed	6.0 Gb/s
		RAID	RAID 0/1/10/5 (Intel® RST) only for 4 SATA devices
M.2 connector	(1) M.2 connector (2242/2260/2280) by PCI-E interface		
Graphic	Connector type	D-Sub 15-pin	
	Resolution	Up to 1920x1200	
	Chipset	Aspeed AST2500	
Input /Output	USB	(2) USB3.0 ports (2 via cable), (2) USB3.0 ports (at rear), (2) USB 2.0 ports (via cable), (1) Type-A USB3.0 port	
	COM	(1) DB-9 COM Connector	
	VGA	(1) D-Sub 15-pin VGA port	
	Power	SSI 24-pin + 8-pin + 8-pin power connectors	
	RJ-45	(2) GbE ports, (1) Dedicated for IPMI	
	Front Panel	(1) 2x12-pin SSI front panel header	
TPM (Optional)	SATA	(2) SATA-III connectors + (3) Mini-SAS HD (4-in-1) connectors	
	TPM Support	Please refer to our TPM supported list.	
	Chipset	Aspeed AST2500	
System Monitoring	Voltage	Monitors voltage for CPU, memory, chipset & power supply	
	Fan	Total (5) 4-pin headers	
	Temperature	Monitors temperature for CPU & system environment	
	LED	Over temperature warning indicator / Fan & PSU fail LED indicator	
	Others	Watchdog timer support	
Server Management	Onboard Chipset	Onboard Aspeed AST2500	
	AST2500 IPMI Feature	IPMI 2.0 compliant baseboard management controller (BMC). Supports storage over IP and remote platform-flash, USB 2.0 virtual hub	
	AST2500 IKVM Feature	24-bit high quality video compression, 10/100/1000 Mb/s MAC interface	

Block Diagram



BIOS	Brand / ROM size	AMI / 32MB
	Feature	Hardware Monitor, SMBIOS 3.0/PnP/Wake on LAN, Boot from USB device/PXE via LAN/Storage, User Configurable FAN PWM Duty Cycle, Console Redirection, ACPI sleeping states S4,S5, ACPI 6.1
Form Factor	Form Factor	EATX
	Board Dimension	12"x13" (305x330mm)
Operating System	OS supported list	Please refer to our Intel OS supported list.
	FCC (DoC)	Class B
Regulation	CE (DoC)	Class A
	Operating Temp.	10° C ~ 35° C (50° F ~ 95° F)
Operating Environment	Non-operating Temp.	-40° C ~ 70° C (-40° F ~ 158° F)
	In/Non-operating Humidity	90%, non-condensing at 35° C Non-operating Relative Humidity: 10% to 95% (non-condensing)
RoHS	RoHS 6/6 Compliant	Yes

(Specifications are subject to change without notice. Items pictured may only be representative.)

MiTAC Computing Technology Corp
TYAN Business Unit

USA
Tel: +1-510-651-8868
Fax: +1-510-651-7688

Taiwan
Tel: +886-3-327-5988
Fax: +886-3-327-6312

China
Shanghai Tel: +86-021-61431188 #1361
China Tel: +86-010-62381108 #2485

Japan
Tel: +81-3-3769-8311
Fax: +81-3-3769-8328

EMEA
Tel: +44 07540328523
Email: robin.daunter@tyan.com