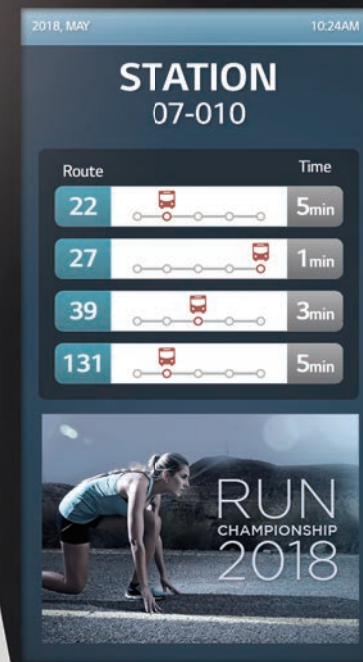


Outstanding Visibility with Reliable Performance

XF Series


There is increasing demand for outdoor signage for delivering information and advertisement. With high-brightness and reliable performance, the open frame XF Series is able to achieve these goals effectively in any location.



2018, MAY 10:24AM

STATION 07-010

Route	Time
22	5min
27	1min
39	3min
131	5min

 RUN CHAMPIONSHIP 2018



Outstanding Visibility with Reliable Performance

XF Series

Outstanding Visibility

High Brightness

With a great brightness of 3,000 cd/m², XF series clearly deliver contents and attract public attention, which is the ultimate display for outdoor visibility.



Visible with Polarized Sunglasses

QWP* enables clear visibility even when the viewer is wearing polarized sunglasses.



* Quarter Wave Plate

Outstanding Visibility with Reliable Performance

XF Series

Outstanding Visibility

No Blackening

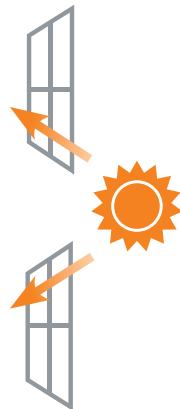
Even under direct sunlight exposure, the open frame XF series remain free of blackening defects under 110°C and provide superior quality for outdoor usage.



Conventional



XF series



Smart Brightness Control

The auto brightness sensor and preset time scheduler save power consumption by adjusting the brightness.

Bright



Dark



Outstanding Visibility with Reliable Performance

XF Series

Product Reliability

High Operating Temperature

Its high reliability under high operating temperatures reduces additional costs for air conditioning system.

Conformal Coating

The conformal coating enhances circuit board reliability by protecting it from dust, iron shavings, humidity and other harsh conditions.



Outstanding Visibility with Reliable Performance

XF Series

Easy Maintenance

High-Performance with webOS

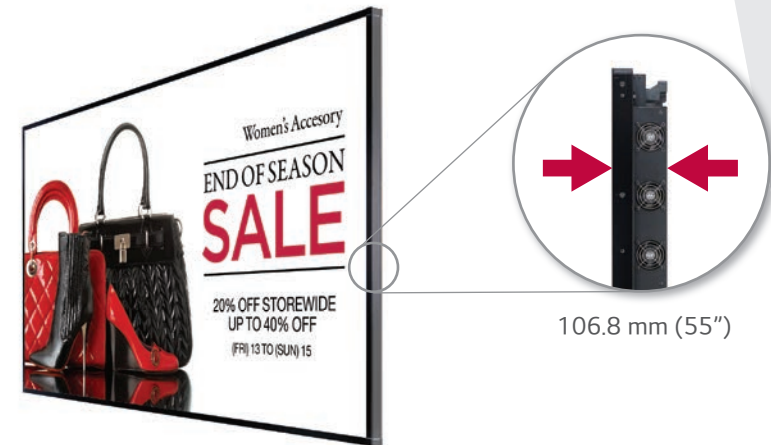
Quad Core SoC* can execute several tasks at the same time without a separate media player. In addition, webOS 3.0 platform enhances user convenience with intuitive UI and simple app development tools.



*System on Chip

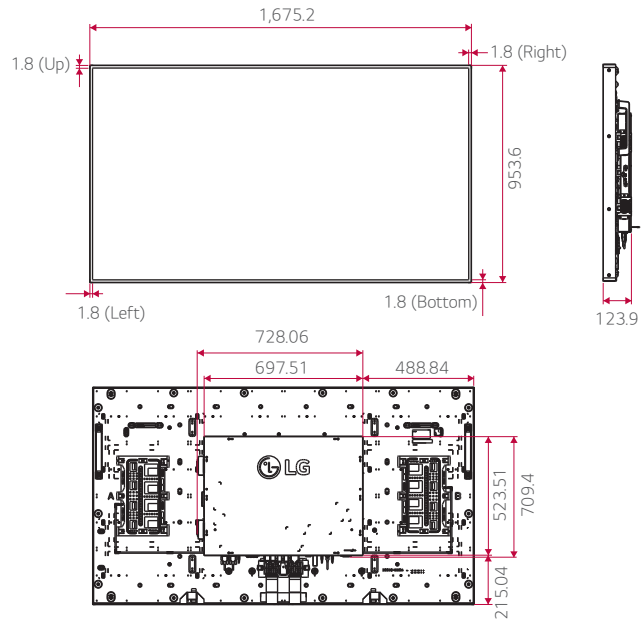
Space Efficiency

The slim depth saves space for installation and makes the enclosure design slimmer.

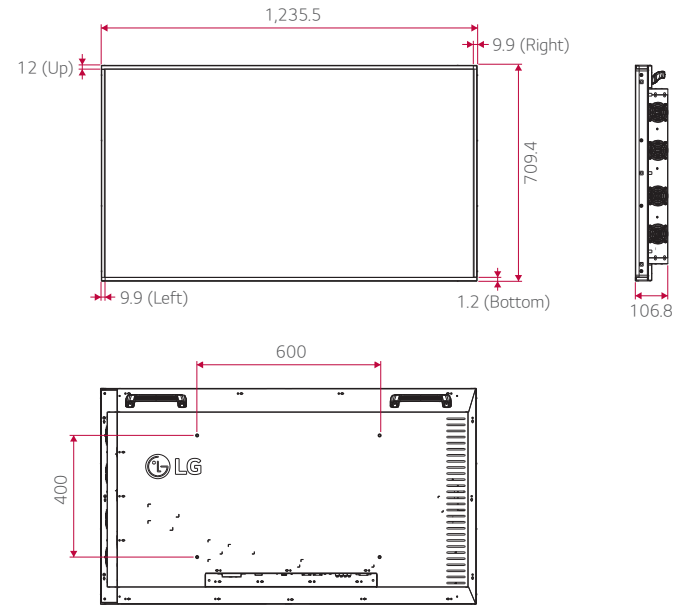


Dimension

75"

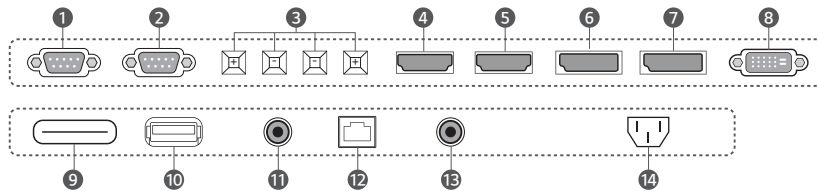


55"



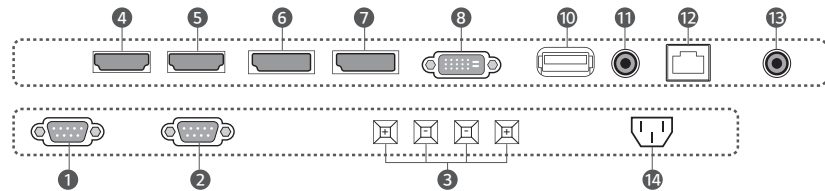
Connectivity

75"



- | | | |
|---------------------|------------|------------------|
| 1 RS 232C IN | 6 DP IN | 11 AUDIO IN (PC) |
| 2 RS 232C OUT | 7 DP OUT | 12 LAN |
| 3 SPEAKER OUT (8 Ω) | 8 DVI-D IN | 13 PIXEL SENSOR |
| 4 HDMI IN 1 | 9 SD CARD | 14 AC IN |
| 5 HDMI IN 2 | 10 USB IN | |

55"



Specifications

		75XF3C	55XF3E
PANEL	Screen Size	75"	55"
	Panel Technology	M+ (WRGB)	M+ (WRGB)
	Aspect Ratio	16 : 9	16 : 9
	Native Resolution	3,840 x 2,160 (UHD)	1,920 x 1,080 (FHD)
	Brightness	3,000 cd/m ² (Typ.), 2,400 cd/m ² (Min.)	3,000 cd/m ² (Typ.), 2,400 cd/m ² (Min.)
	Contrast Ratio (Typ.)	1,200 : 1	1,000 : 1
	Dynamic CR	500,000 : 1	500,000 : 1
	Viewing Angle (H x V)	178 x 178	178 x 178
	Surface Treatment	Anti Glare & Low Reflection (Haze 3%), QWP	Anti Glare & Low Reflection (Haze 3%), QWP
	Lifetime	50,000 Hrs	50,000 Hrs
	Operation Hours	24 Hrs	24 Hrs
Orientation	Landscape & Portrait	Landscape & Portrait	
CONNECTIVITY	Input	HDMI(2), DP, DVI-D, Audio, USB, SD Card	HDMI(2), DP, DVI-D, Audio, USB
	Output	DP, External Speaker Out (L/R)	DP, External Speaker Out (L/R)
	External Control	RS232C In/Out, RJ45 In, IR Receiver In, Pixel Sensor In	RS232C In/Out, RJ45 In, IR Receiver In, Pixel Sensor In
PHYSICAL SPECIFICATION	Bezel Width	12.8 mm (Even bezel)	9.9 mm (L/R), 12 mm (T/B)
	Monitor Dimension (W x H x D)	1,675.2 x 953.6 x 123.9 mm	1,235.5 x 709.4 x 106.8 mm
	Weight (Head)	36.7 kg	26.5 kg
	Carton Dimensions (W x H x D)	1,816 x 1,106 x 285 mm	1,344 x 236 x 820 mm
	Packed Weight	46.3 kg	32.3 kg
VESA™ Standard Mount Interface	N/A	600 x 400 mm	
SPECIAL FEATURES	Temperature Sensor, Auto Brightness Sensor, Cooling Fan, Tile Mode (up to 15 x 15), Natural mode@Tile Mode, Source Selection, ISM Method, DPM Select, Energy Saving, Smart Energy Saving, File Play with USB, Internal Memory (System 4GB + Available 4GB), Wi-Fi Dongle Ready		
ENVIRONMENTAL CONDITIONS	Operating Temperature Range	0°C to 50°C (w/o Direct Sunlight) 0°C to 40°C (Direct Sunlight)	0°C to 50°C (without Direct Sunlight) 0°C to 40°C (Direct Sunlight)
	Operating Humidity Range	10% to 85%	10% to 80%
POWER	Power Supply	100-240 V-, 50/60 Hz	100-240 V-, 50/60 Hz
	Power Type	Built-In Power	Built-In Power
	Power Consumption	Typ./Max 660 W / 695 W	250 W / 290 W
	Smart Energy Saving	320 W	120 W
STANDARD (CERTIFICATION)	Safety	UL Recognized / CB	UL Recognized / CB
	EMC	FCC Class "A" / CE / KC / VCCI	FCC Class "A" / CE / KC
SOFTWARE COMPATIBILITY	Content Management Software	SuperSign CMS	SuperSign CMS
	Control and Monitoring Software	SuperSign C	SuperSign Link
ACCESSORIES	Basic	Remote Controller (2 Batteries Included), Power Cord, IR Extension Cable/PCB, HDMI Cable, Manual (ESG & EIG)	
	Optional	Pixel Sensor (KT-SP0) * Stand is not available	Pixel Sensor (KT-SP0) * Stand is not available

Download LG Commercial Display Mobile App



Apple App Store



Google Play Store

www.lg.com/b2b

[youtube.com/c/LGCommercialDisplay](https://www.youtube.com/c/LGCommercialDisplay)

<https://www.facebook.com/LGInformationDisplay/>

<https://www.linkedin.com/company-beta/16235211/>

LG may make changes to specifications and product descriptions without notice.

Copyright © 2018 LG Electronics Inc. All rights reserved. "LG Life's Good" is a registered trademark of LG Corp.

The names of products and brands mentioned here may be the trademarks of their respective owners.

