



## ■ Features

### Sophisticated sound and design for matching any application.

- Series comprises two full-range models and two subwoofers available in either black or white.
- Features newly customized transducers for superb music reproduction as well as crystal clear announcements.
- Full-range models are equipped with internal transformer that allows operation at both high and low impedance.
- VXS8(W) offers IP35 rated protection, ensuring use in outdoor applications.
- Comes with a dedicated bracket for safe, trouble-free speaker installation.
- Overload protection circuit provided to protect speaker components.
- Comes with paintable speaker bodies, grilles and brackets for flexible design ideas.



Impedance selector

## ■ General Specifications

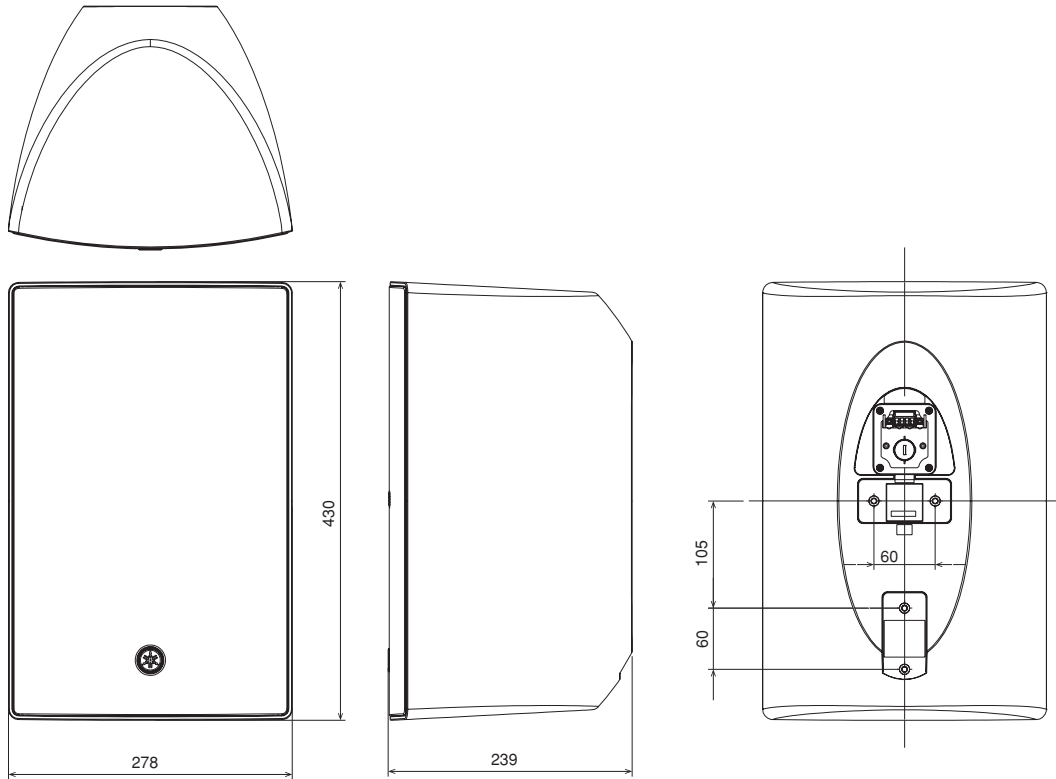
Model	VXS8 / VXS8W	
Speaker Type	2-way, Bass-reflex	
Components	LF	8" Cone
	HF	1" Soft dome
Coverage Angle <sup>*1</sup> H x V	100° x 100°	
Nominal Impedance	8Ω	
Power Rating <sup>*1</sup>	NOISE	90W
	PGM	180W
Sensitivity <sup>*2</sup> (1W,1m)	91dB SPL	
Maximum SPL (Calculated, 1m)	117dB SPL	
Frequency Range <sup>*2</sup>	-10dB	51Hz - 20kHz
Connectors	1x Euroblock (4P) (Input: + / -, Loop Thru: + / -)	
Transformer Taps	70V	60W (83Ω), 30W (170Ω), 15W (330Ω), 7.5W (670Ω)
	100V	60W (170Ω), 30W (330Ω), 15W (670Ω)
Environmental	IP35 <sup>*3</sup>	
Color (Grille)	VXS8:Black / VXS8W:White	
Dimensions (W x H x D)	278 x 430 x 239mm (10.9" x 16.9" x 9.4")	
Weight	8.2kg (18.1lbs)	
Included accessories	Wall / Ceiling mount bracket, Terminal cover	



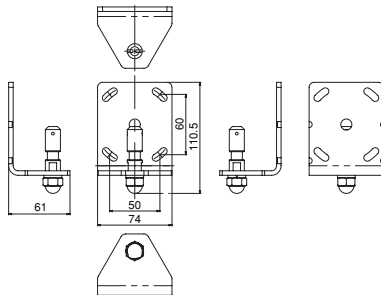
\*1 IEC \*2 Half space \*3 IP34 when installing the speaker to the ceiling vertically

## ■ Dimensions

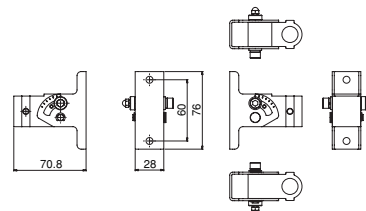
Unit: mm



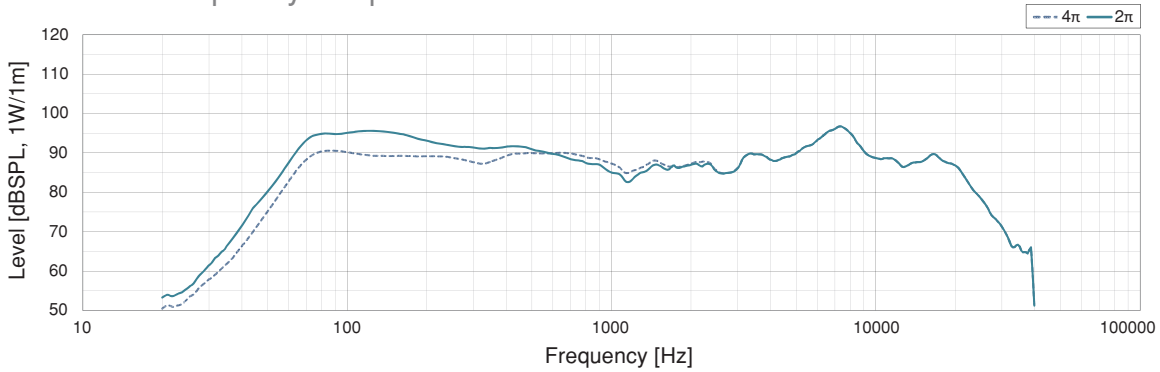
Bracket Base



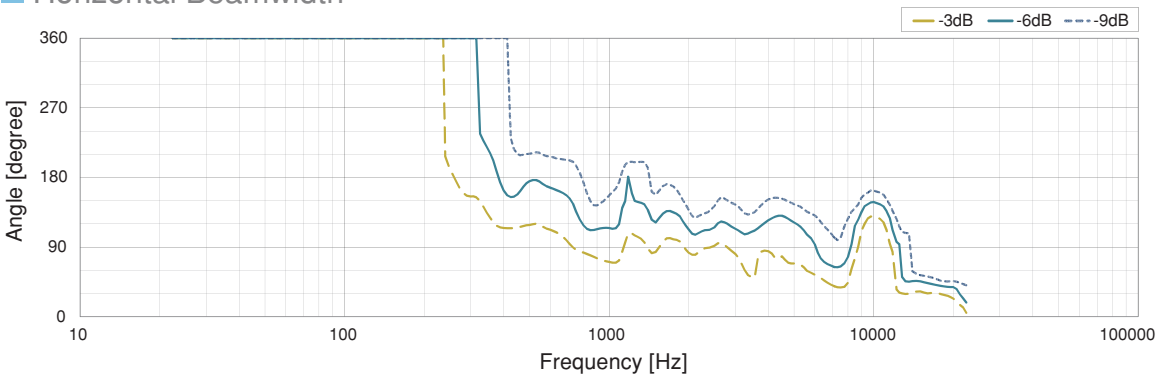
Mounting Bracket



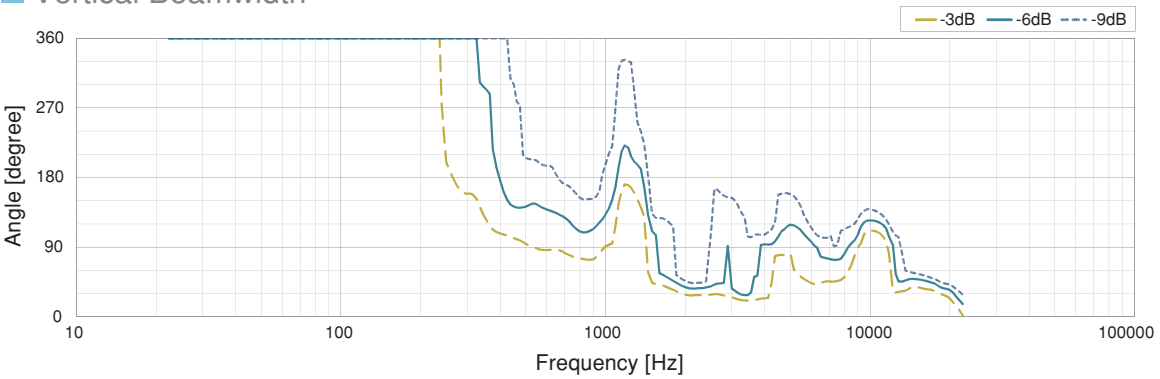
### On-axis Frequency Response



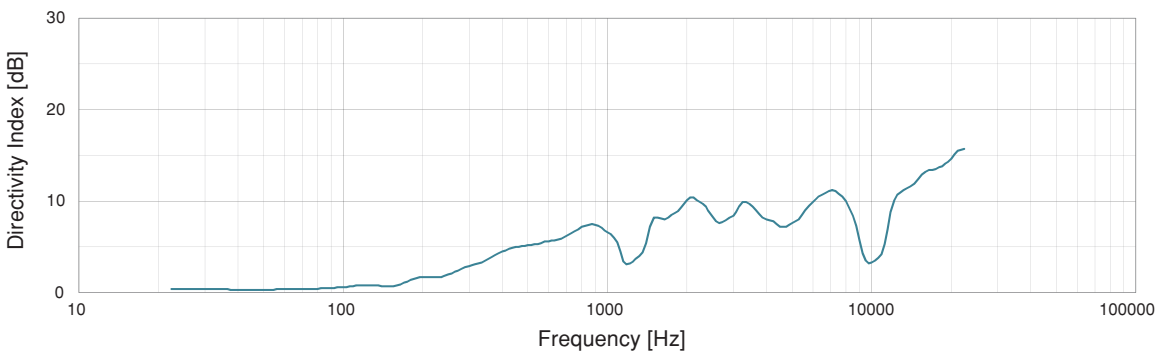
### Horizontal Beamwidth



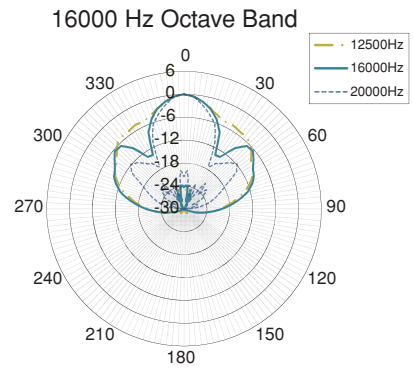
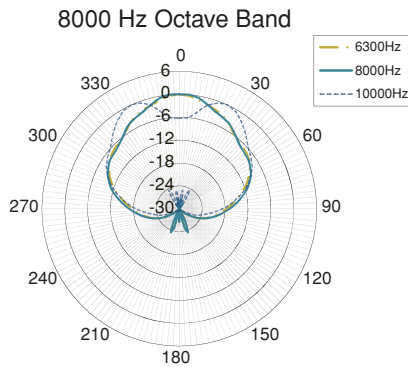
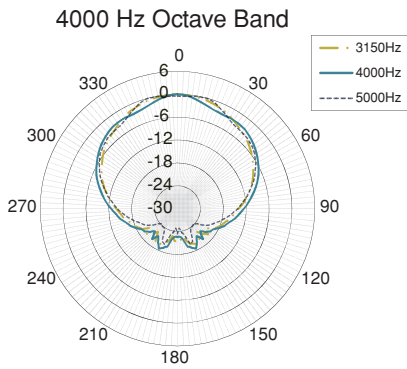
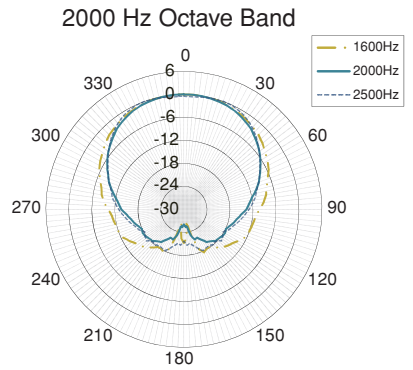
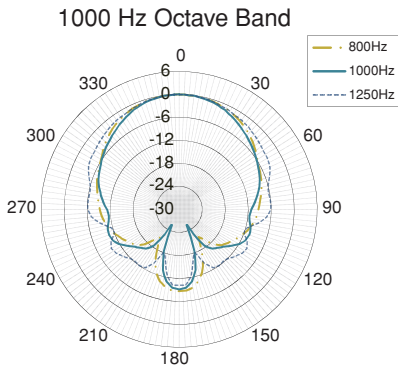
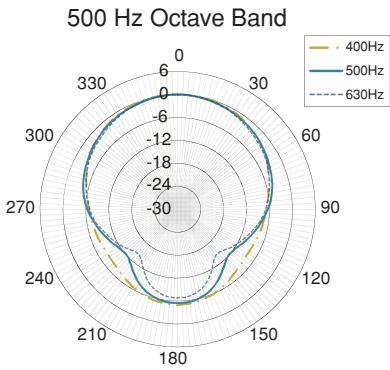
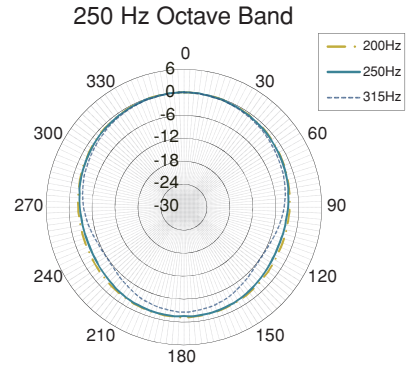
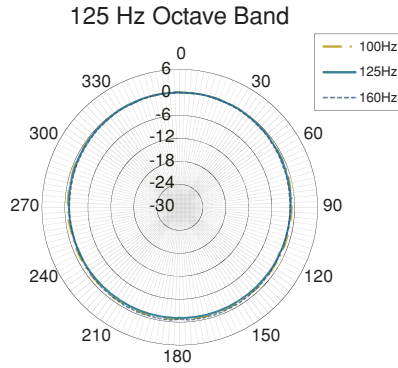
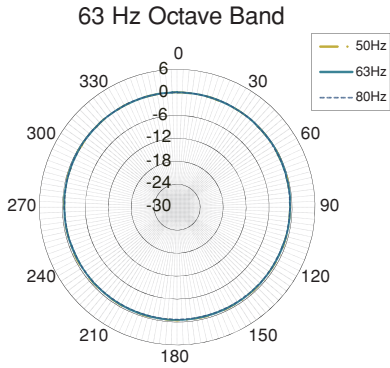
### Vertical Beamwidth



### Directivity Index

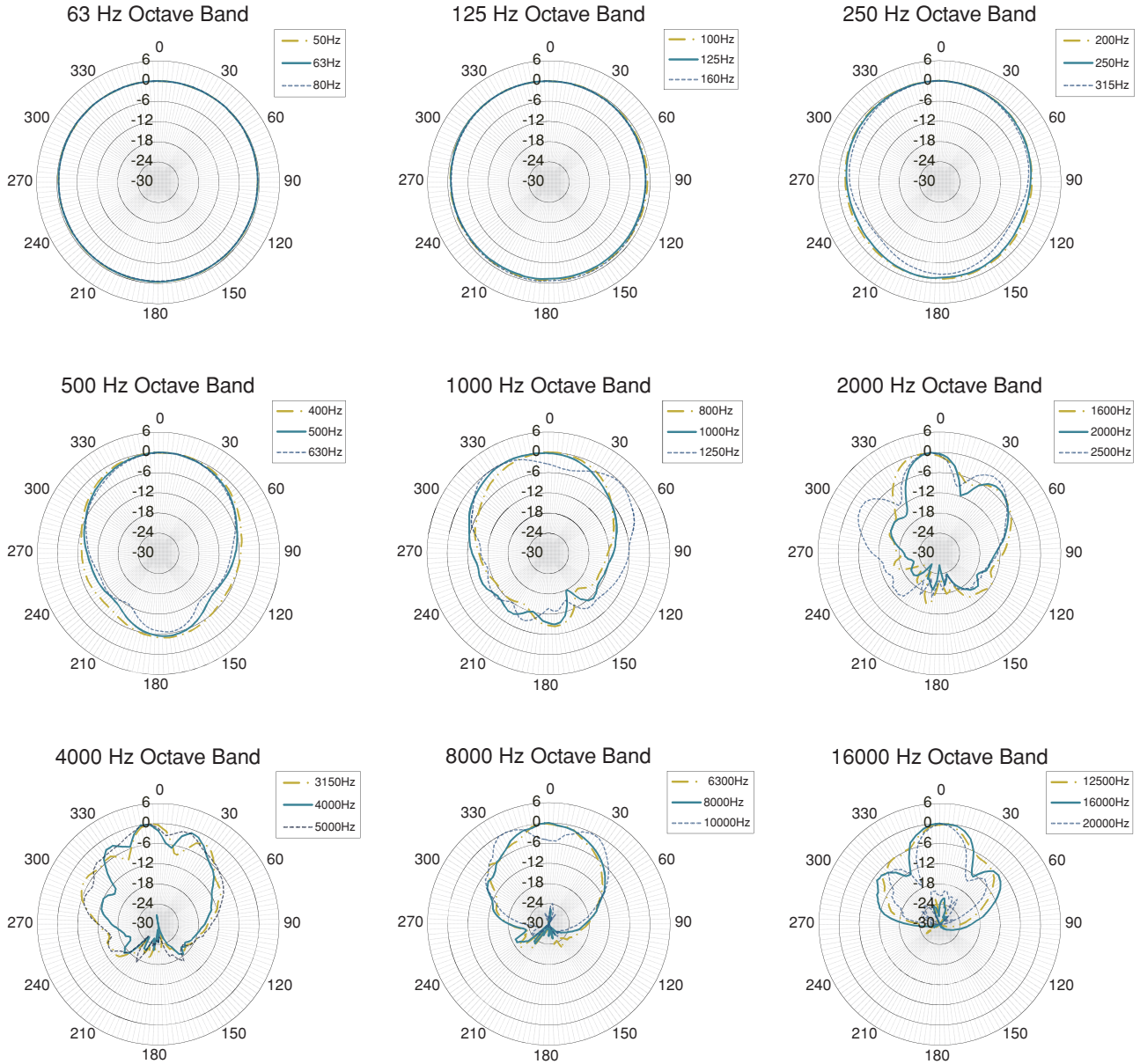


## Horizontal Polar Plots





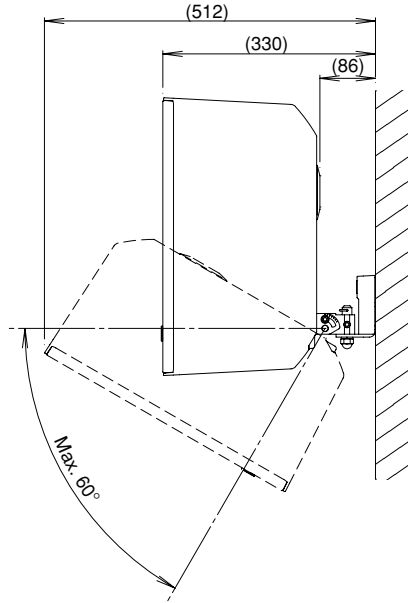
## Vertical Polar Plots



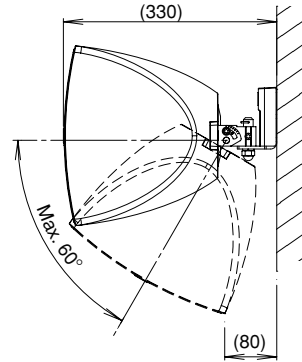
## ■ Installation Dimensions

Unit: mm

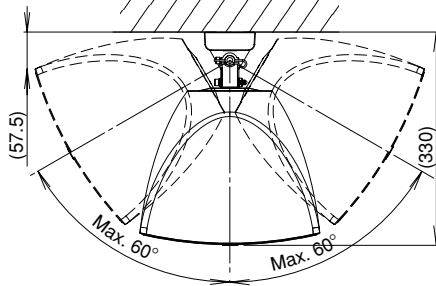
Installation on Wall (Vertical)



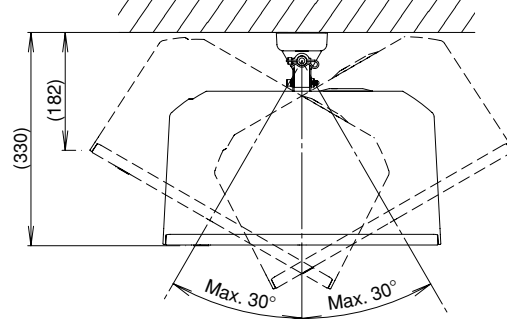
Installation on Wall (Horizontal)



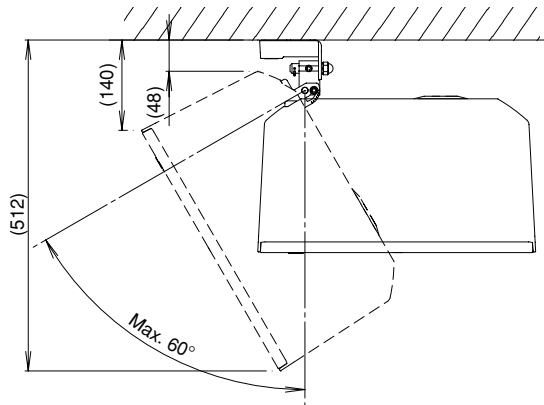
Installation on Wall (Vertical)



Installation on Wall (Horizontal)



Installation on Ceiling (Vertical)



Installation on Ceiling (Horizontal)

