

Overview

Outstanding sonic performance indoors or out, plus visual sophistication that will complement any décor.



Features

- Highly adaptable surface mount speakers
- Flexible mounting for easier configuration
- Paintable speakers for your unique room design
- Selectable 70V/100V for distributed lines, or low impedance
- Designed for both indoor and outdoor use (IP rating X3)
- Black and white models available
- Dedicated, color-matched steel U-bracket enclosed for horizontal or vertical installation

Specifications

General Specifications

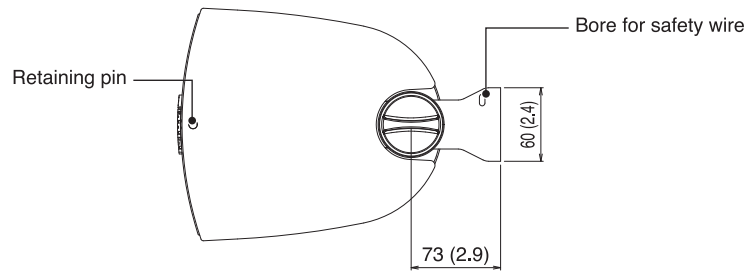
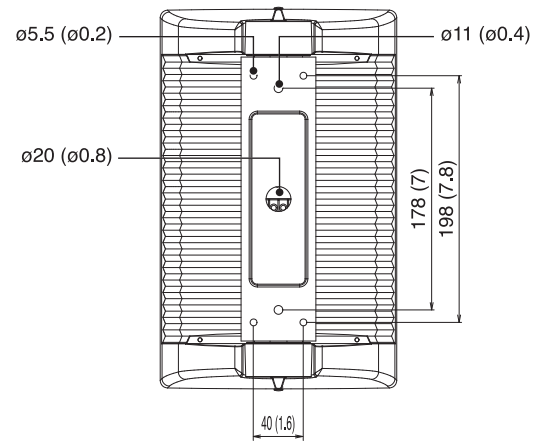
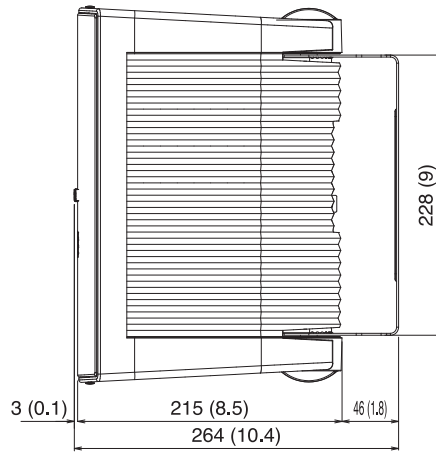
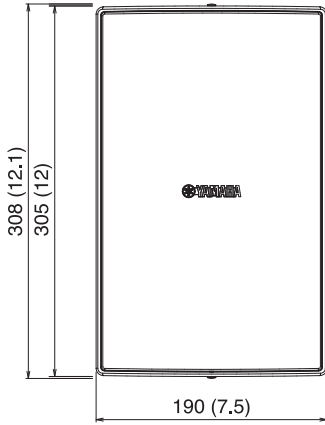
System Type		2-way, Bass-reflex
Components	LF	6.5" cone
	HF	1" balanced dome tweeter
Frequency Range	(-10dB)	80Hz-20kHz
Crossover Frequency		15kHz
Coverage Angle (Horizontal x Vertical)		90° x 90°
Nominal Impedance		8Ω
Transformer Taps	70V	25W, 12.5W, 6.3W, 3.1W
	100V	25W, 12.5W, 6.3W
Power Rating	NOISE	25W
	PGM	50W
	MAX	100W
Sensitivity (1W, 1m)		90dB SPL
Maximum SPL (Calculated, 1m)		110dB SPL
Connectors		2 pairs of barrier strip (parallel-wired)
Material, Finish, Color		Black, White
Dimensions (W x H x D)		190mm x 308mm x 219mm (7.5" x 12.1" x 8.6")
Net Weight		2.8kg (6.2lbs)
Packaging		Pair
IP Rated		IPX3

Accessories

Included Accessories	U-bracket, Retaining Knob, Terminal Cover, Terminal Cover Screw
----------------------	---

Dimensions

Unit: mm (inch)



Architectural and Engineering Specifications

The loudspeaker shall be of surface-mount design, a 2-way bass-reflex type. The loudspeaker shall consist of 6" (16cm) cone driver for low frequency and 1" (2.5cm) white dome tweeter for high frequency. The loudspeaker shall be equipped with internal transformers that allow both high-impedance and low-impedance drive. The power rating shall be set by switching a transformer tap on the baffle as follows: 25W/12.5W/6.3W in 100V line; 25W/12.5W/6.3W/3.1W in 70V line; and 50W into 8 ohms. The loudspeaker shall be capable of meeting the following performance criteria: The measured sensitivity shall be 90dB SPL (at 1W, 1m); The maximum SPL shall be 110dB SPL (Calculated, 1m); The frequency range shall be 80Hz-20kHz (-10dB); The frequency dividing network shall have a crossover frequency of 15kHz; The nominal coverage angle shall be 90° horizontal and 90° vertical. Two pair of barrier strip connectors shall be provided. The loudspeaker shall be provided for an overload protection circuit to protect Power limiting to protect the woofers. The loudspeaker shall comply with dust and water resistance rating of IPX3. The cabinet shall be rectangle-shaped, and be constructed of HIPS. The grille shall be constructed of 0.6mm-thick powder coated perforated steel, with an aperture ratio of 51%. The grille shall have the following color variation: black-painted (VS6) or white-painted (VS6W). The loudspeaker shall be 190mm (7.5") wide, 308mm (12.1") high, and 219mm (8.6") deep. The weight shall be no more than 2.8kg (6.2lbs). The loudspeaker shall have included accessories as follows: The bracket shall allow the loudspeaker to be mounted onto both walls and ceilings. The loudspeaker shall be the Yamaha VS6 or VS6W.

*All information subject to change without notice.

*All trademarks and registered trademarks are property of their respective owners.

Created in March, 2017

YAMAHA CORPORATION
P.O.BOX 1, Hamamatsu Japan
www.yamahaproaudio.com