

AMR2AW

Long Arm Articulating Dual Monitor Wall Mount

This dual monitor wall mount allows the connection of flat panel monitors through standard VESA mounting brackets. Our revolutionary hinge modules are designed to enable display monitors to be rotated, swiveled and tilted. The engineering of the AMR2AW is designed to meet high ergonomic expectation and to be rugged without compromising the aesthetics of design. The AMR2AW is constructed with aluminum alloy to ensure sturdiness. It will support various monitor sizes with a weight range of 4.4 to 22.1 lbs(2-10Kg). The recommended maximum monitor size is 24". This product must have an appropriate wall base to support the mount fixture.



Specifications

- General

Weight Capacity:	• 4.2kg (9.26 lbs)	Screw Type:	• M4
Material:	• Steel/Aluminum Alloy/Plastic	Dimensions(W*H*D):	• 1150 x 492 x 113 mm 45.28" x 18.35" x 4.45"

- Hinge Module

Swivel(Hinge):	• Max. +/-90°
Tilt(Hinge):	• -20°(down) - +90°(up)
Rotate(Pivot):	• 360°
User Torque Adjust:	• Available

- Display Support

Mounting Pattern:	• 100x100/75x75mm
Support Flat Panel Size:	• 24"
Support Weight(Range)	• 2-10kg (4.4-22.1lbs)

- Height Adjust

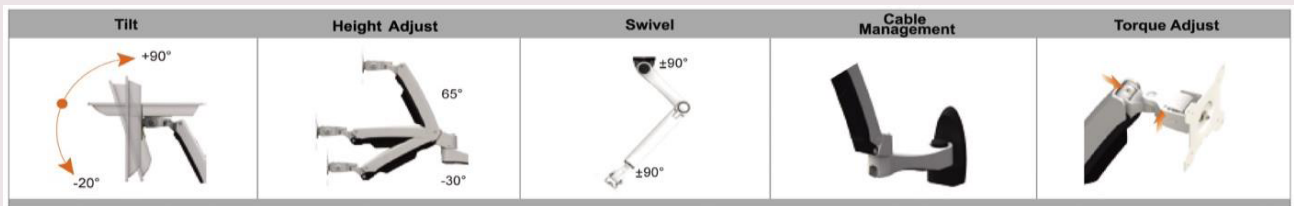
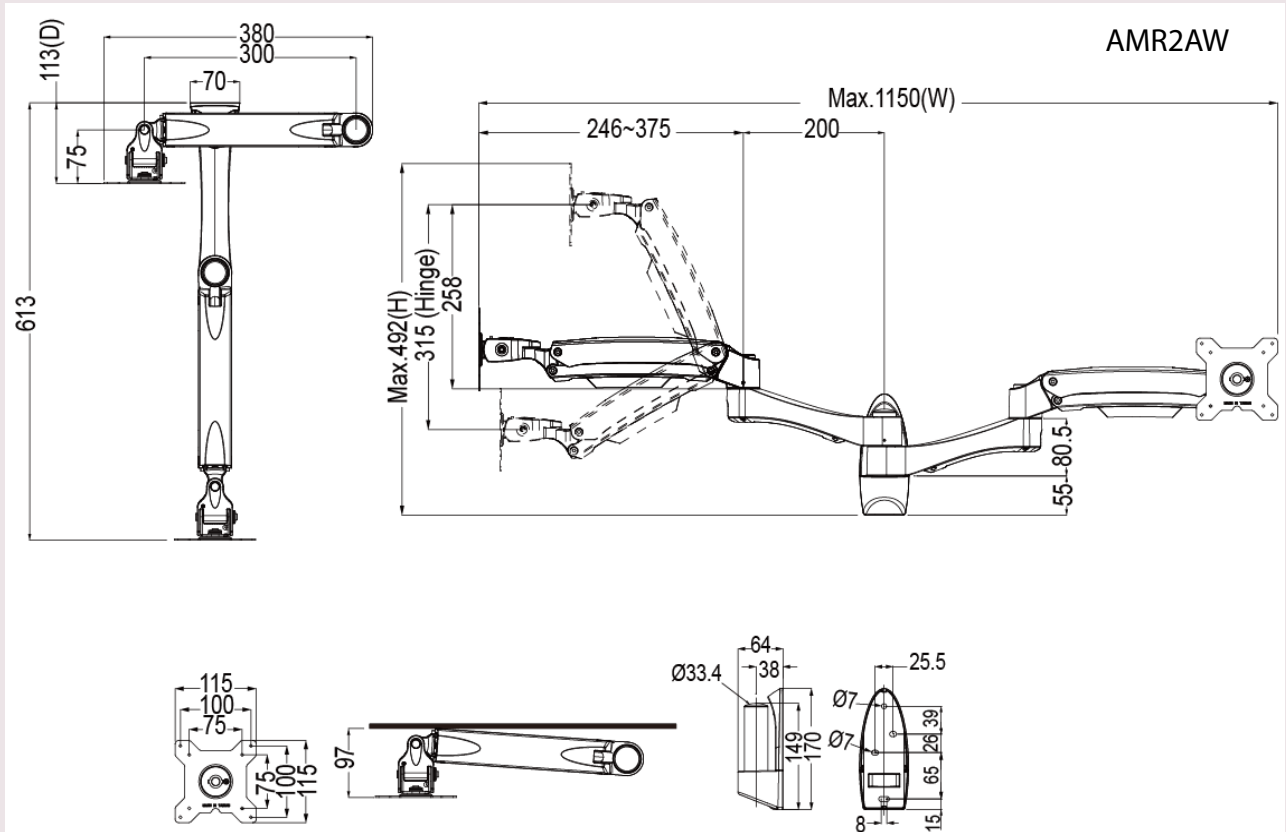
Height Adjustment Range (Arm)	• 315mm (12.4")	Max. Distance to the Wall:	• 613mm (24.13")
Tension Torque Adjust	• Yes	Min. Distance to the Wall:	• 97mm (3.82")
Tilt(Arm):	• Max. +65° / -30°	Extended Arm Provided:	• 4
		Cable Management:	• Yes

- Warranty and Support

Warranty: 3 Years
Support: Free technical support (phone/email)

AMR2AW

Long Arm Articulating Dual Monitor Wall Mount



www.amer.com / www.amermounts.com

sales@amer.com

1-800-262-9703

Specifications subject to change without notice. Errors and omissions excepted. All trademarks are properties of their respective owners.

Revision 1.02