



Designed for

Surface

Enterprise Tablet Pro™ for Surface Pro & Surface Pro 4

Design and engineered to retail proof the Microsoft Surface Pro & Surface Pro 4, allowing full interactivity for any business application within multiple vertical markets.

Tablet Revolution

Enterprise Tablet Pro is a fully integrated system that offers complete security, integration and connectivity — all while maintaining the mobility, simplicity and ease-of-use that makes the Microsoft Surface Pro such a revolutionary tool for POS applications.



Easy Release RFID Card Locking Technology

- Auto-locks when inserted into base, so tablet is always secure and charging
- Tablet 'quick release' feature in event of a power outage means you're always in control of your technology
- Easy to read LED system

Easy to Interact with Tablet

- Multiple orientations allows for integrated use, enhancing the sales or presentation experience
 - Rotate to portrait or landscape
 - 180° -0-180° swivel rotation
 - Tilt 90° for 'table top' orientation

Complete Integration

- Proprietary connection feature secures and powers the tablet
- Enterprise Tablet Case™ keeps the tablet secure and protected while being fully integrated
 - Protects screen, buttons and connectors against drops, falls, and wear-and-tear from extensive use

Key Vertical Markets:



Retail



Medical



Restaurant



Hospitality



Education



Finance

Available Accessories



Plug and Play Magnetic Stripe Reader accessory

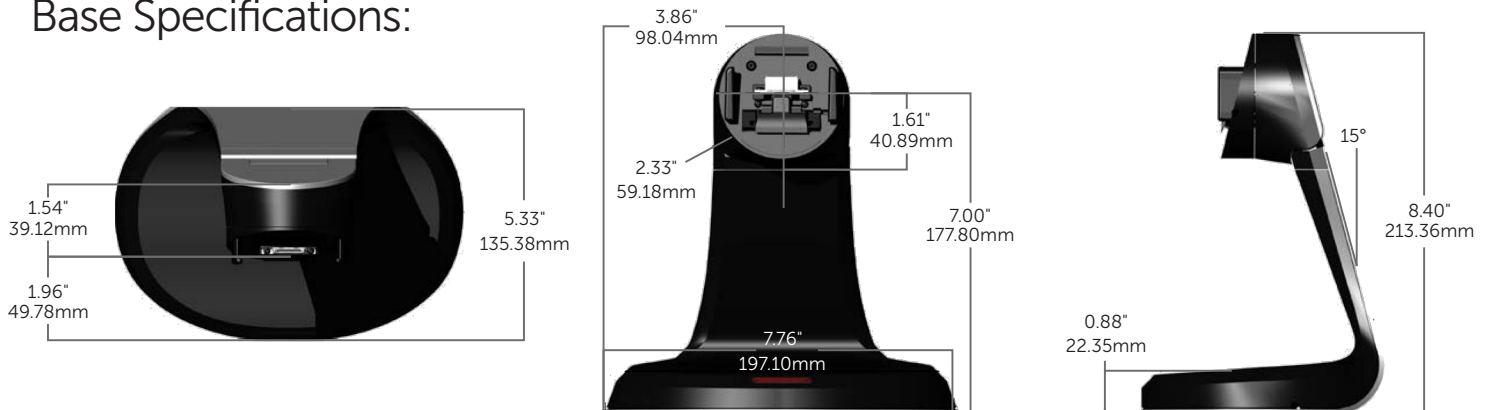


Ingenico EMV Cradle on Enterprise Tablet Pro

Case Specifications:



Base Specifications:



To Order:

Item	Part Number
ETP with Enterprise Tablet Case™ for Microsoft Surface Pro & Surface Pro 4, Black	700-00004
ETP with Enterprise Tablet Case™ for Microsoft Surface Pro & Surface Pro 4, White	700-00005
Universal Magensa MSR Accessory, Black	ERE033320
Universal Unencrypted MSR Accessory, Black	ERE033420
Ingenico EMV Cradle, Black	ERE032920