

## UVS-ADR1300 1.3MP H.264 Low Lux WDR Mini Fixed Rugged IP Dome

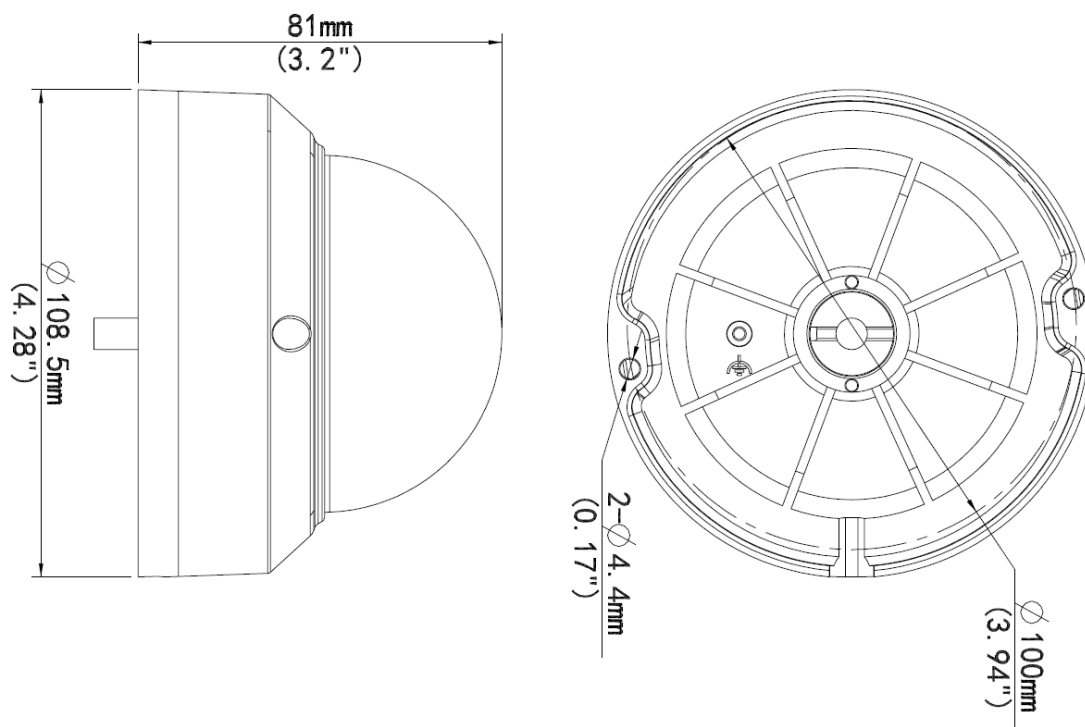


- 1/3" progressive scan low lux CMOS sensor
- Min. illumination at 0.02 lux (B/W and color)
- Triple streams from H.264 or MJPEG
- Up to 30 fps at 1280 x 960
- Intelligent IR
- IR distance up to 30 m (98.4 ft)
- Day and night function (with removable IR-cut filter)
- 3-axis mechanism (pan / tilt / rotate)
- Ingress protection (IP66)
- Vandal resistance (IK10)
- Wide temperature tolerance (-35°C ~ 60°C / -31°F ~ 140°F)
- Built-in micro SD card slot (SD/SDHC/SDXC/UJS-I, Class 10) for local storage
- DC 12V / PoE (IEEE 802.3af)
- Wide Dynamic Range (WDR)
- Defog
- 3D noise reduction
- Motion detection
- Text overlay
- Privacy mask
- ONVIF (Profile S) conformant

### Introduction

The Mini Fixed Rugged Dome is an outdoor, fixed, network camera equipped with an automatic IR-cut filter and 30 IR LEDs for day and night surveillance. The camera adheres to IP66 and IK10 standards.

### Dimensions



## Specifications

Camera		
Image Sensor	1/3" progressive scan low lux CMOS	
Picture Elements	1280 (H) x 960 (V)	
Minimum Illumination	Color	0.02 Lux
	B/W	
	IR ON	0 Lux
Shutter Speed	Auto / Manual (1/6 ~ 1/8000 sec)	
White Balance	Auto / Manual	
Gain Control	Auto / Manual	
S/N Ratio	50 dB	
WDR	Yes	
Dynamic Range	72 dB	
Optical Lens		
Megapixel	Yes	
Day / Night	Yes (with removable IR-cut filter)	
Lens Type	Fixed	
Focal Length	2.8 mm	
Maximum Aperture	F/2.0	
Mount	M12	
Horizontal FOV	96.5°	
Operation	Focus	Fixed
	Zoom	Fixed
	Iris	Fixed
IR LED Quantity	30 IR LEDs	
Max. IR Distance	30 m (98.4 ft)	
Video		
Video Compression	H.264, MJPEG	
Video Streaming	Triple streams	
Video Resolution	Main Stream	1280 x 960, 1280 x 720 (Default), 720 x 576
	Sub Stream	1280 x 960, 1280 x 720, 720 x 576 (Default), 352 x 288, 704 x 288
	Third Stream (Closed by Default)	720 x 576, 352 x 288, 704 x 288
Frame Rate	30 fps at 1280 x 960 (60 / 50 Hz) * The frame rate and performance may vary depending on the number of connections and data bitrates (different scenes).	
Image Setting	Brightness, Contrast, Saturation, Sharpness, Flicker-less, Image Orientation	
Network		
Interface	10/100 Ethernet	
Protocol	DHCP, DNS, FTP, HTTP, ICMP, IGMP, IPv4, IPv6, NTP, ONVIF (Profile S), QoS, RTP, RTSP, TCP, UDP	
Mechanical		
Temperature Detector	No	
Connectors	Power	DC Jack, PoE
	Ethernet	RJ-45 connector
	Local Storage	Micro SD card slot (SD/SDHC/SDXC/UHS-I, Class 10) *UHS-II card type is not supported.
Camera Angle Adjustment	Pan	3° ~360°
	Tilt	0° ~ 68°
	Rotate	3° ~360°
General		
Operating Temperature	-35°C ~ 60°C (-31°F ~ 140°F)	
Humidity	0% ~ 90% (non-condensing)	
Dimensions	Ø 108.5 x 81 mm (Ø4.28" x 3.2")	
Weight	0.45 kg (0.99 lb)	
Power Source	12 V DC / PoE (IEEE802.3af)	
Max. Power Consumption	5.5 W	

Ingress Protection	IP66
Vandal Resistance	IK10
Regulatory	FCC, IC, CE, WEEE, RoHS compliant
<b>Web Interface</b>	
Installation Management	Web-based configuration
Maintenance	Firmware upgrade through Web Browser or Utility
Access from Web Browser	Live View, Video Recording, Change Video Quality, Bandwidth Control, Image Snapshot, Defog, Text Overlay, Image Masking
Language	English
<b>Applications</b>	
Software Supported	GV-DVR / NVR (V8.7.1.0), GV-VMS (V15.11.3.0), GV-Recording Server / Video Gateway (V1.3.0.0), GV-Control Center (V3.4.0.0), GV-Redundant / Failover Server (V1.1.0.0), GV-Mobile Server (V1.4.2.0)
Live Viewing	Browser (IE, Firefox, Safari)



**Note:**

1. Specifications are subject to change without notice.
2. Do not use clothes or any ordinary material to clean the camera cover since they may result in scratches.
3. It is required to apply patch files to all the supported software.

**Packing List**

- |  |                            |
|--|----------------------------|
| 1. UVS-ADR1300 Mini Fixed Rugged IP Dome | 6. Torx Wrench             |
| 2. Waterproof Rubber Set                 | 7. Software Download Guide |
| 3. Screw x 3                             | 8. Warranty Card           |
| 4. Screw Anchor x 3                      |                            |
| 5. Drill Template Paster                 |                            |

**Accessories**

Model No.	Name		Details
GV-Mount211	Wall Mount Bracket		Dimensions: 233 x 126 x 126 mm (9.2" x 5" x 5") Weight: 0.92 kg (2.0 lb)
GV-PA191	Power over Ethernet (PoE) Adapter		The GV-PA191 is a Power over Ethernet (PoE) adapter designed to provide power to the IP device through a single Ethernet cable.
GV-POE Switch			The GV-POE Switch is designed to provide power along with network connection for IP devices. The GV-POE Switch is available in various models with different numbers and types of ports.
Power Adapter			Contact your sales representative for the countries and areas supported.