

---

**S P E C F I L E**

---

Product Number : PT-**JX200FWU/JX200FBU**  
PT-**JX200FWE/JX200FBE**  
PT-**JX200FWK/JX200FBK**

Product Name : DLP™Projector

**Specifications**

**Main unit**

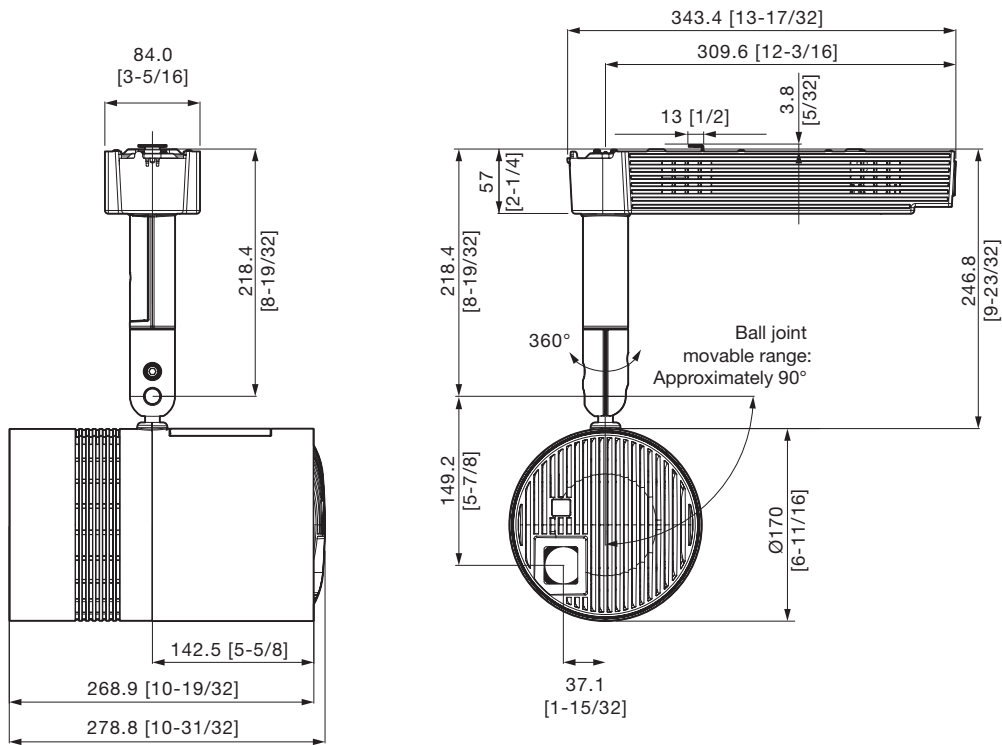
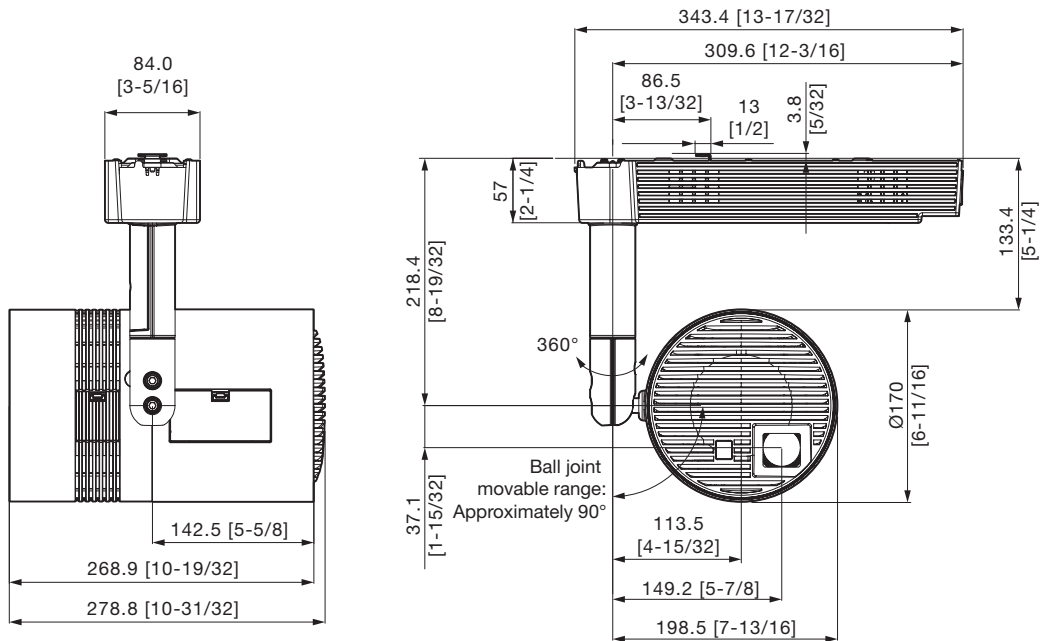
Power supply	PT-JX200FWU/JX200FBU : AC 120V 50/60Hz PT-JX200FWE/JX200FBE/JX200FWK/JX200FBK : AC 100 - 240V 50/60Hz
Power consumption	PT-JX200FWU/JX200FBU : 240W(2.3A) PT-JX200FWE/JX200FBE/JX200FWK/JX200FBK : 240W(2.7 - 1.1A) Standby: 0.4W[FWU/FBU] 0.5W[FWE/FBE/FWK/FBK] in Eco mode Standby: 0.5W[FWU/FBU] 0.7W[FWE/FBE/FWK/FBK] in Network mode, Standby: 12 W in Normal mode (when fan is stopped)
DLP® chip	0.55 (For screen aspect ratio of 4:3) DLP® chip x1, DLP® method 786,432 pixels (equivalent to XGA)
Lens	Powered zoom (1.3 - 2.9:1), Powered focusing method F=2.0 - 2.7, f=15.2 mm - 32.7 mm
Light source	Laser Diode (Maximum output: 36W x 2, Wavelength: 452 - 458 nm, Laser class: Class 1*) *Class 3R for North America. Luminance life for set: 20,000 hours at half luminance
Screen size	0.76–5.08 m (30–200 inches) (4:3 aspect ratio)
Brightness*1	2,000 lumens (ANSI)
Center-to-corner uniformity*1	80%
Contrast*1	1,000:1 (Full white / Full black)
Scanning frequency (HDMI input)	525i(480i): fH 15.7kHz; fV 59.9Hz; fclk 27.0MHz 625i(576i): fH 15.6kHz; fV 50.0Hz; fclk 27.0MHz 525p(480p): fH 31.5kHz; fV 59.9Hz; fclk 27.0MHz 625p(576p): fH 31.3kHz; fV 50.0Hz; fclk 27.0MHz 750(720)/60p: fH 45.0KHz; fV 60.0Hz; fclk 74.3MHz 750(720)/50p: fH 37.5KHz; fV 50.0Hz; fclk 74.3MHz 1125(1080)/60i; fH 33.8kHz; fV 60.0Hz; fclk 74.3MHz 1125(1080)/50i; fH 33.8kHz; fV 50.0Hz; fclk 74.3MHz 1125(1080)/60p; fH 67.5kHz; fV 60.0Hz; fclk 148.5MHz 1125(1080)/50p; fH 56.3kHz; fV 50.0Hz; fclk 148.5MHz 640x480(VGA60); fH 31.5kHz; fV 59.9Hz; fclk 25.2MHz 800x600(SVGA56): fH 35.2kHz; fV 56.3Hz; fclk 36.0MHz 800x600(SVGA60): fH 37.9kHz; fV 60.3Hz; fclk 40.0MHz 1024x768(XGA60): fH 48.4KHz; fV 60.0Hz; fclk 65.0MHz 1280x1024(SXGA60): fH 64.0kHz; fV 60.0Hz; fclk 108.0MHz 1280x720/50: fH 37.1kHz; fV 49.8Hz; fclk 60.5MHz 1280x720/60: fH 44.8kHz; fV 59.9Hz; fclk 74.5MHz 1280x768/50: fH 39.6kHz; fV 49.9Hz; fclk 65.3MHz 1280x768/60: fH 47.8kHz; fV 59.9Hz; fclk 79.5MHz 1280x800/50: fH 41.3kHz; fV 50.0Hz; fclk 68.0MHz 1280x800/60: fH 49.7kHz; fV 59.8Hz; fclk 83.5MHz 1600x900/50: fH 46.4kHz; fV 49.9Hz; fclk 96.5MHz 1600x900/60: fH 56.0kHz; fV 59.9Hz; fclk 118.3MHz
Optical axis shift	Vertical: Fixed at 33% (1:2)
Keystone correction range	Vertical: Max. ±40°, Horizontal: Max. ±40° (Max. values in each direction only) With corner keystone function (Correction within above range)
Installation	Front/Rear (Vertical flip display can be turned on or off using "Vertical Flip")
Terminals	HDMI IN HDMI 19-pin x1, Compatible with HDCP, Audio signal: linear PCM (sampling frequencies: 48 kHz, 44.1 kHz, 32 kHz)
	AUDIO OUT M3 x 1 (monitor out, stereo) 0–2.0 Vrms, variable, output impedance: 2.2 kilohms or less
	LAN RJ-45 x 1 for network connection 10Base-T/100Base-TX, PjLink™
	DC OUT USB Type A x 1, for power supply (DC5 V, max 2A)

Wireless LAN	Compliance	PT-JX200FWU/JX200FBU
	Mirroring mode	IEEE802.11b/g/n:2.412GHz-2.462GHz IEEE802.11a/n:5.180GHz-5.240GHz, 5.745GHz-5.805GHz
	M-Direct/Simple mode	IEEE802.11b/g/n:2.412GHz-2.462GHz IEEE802.11a/n:5.180GHz-5.240GHz, 5.745GHz-5.825GHz
	User mode	IEEE802.11b/g/n:2.412GHz-2.462GHz IEEE802.11a/n: 5.180GHz-5.240GHz, 5.260GHz-5.320GHz 5.500GHz-5.700GHz(except 5.600GHz-5.650GHz) 5.745GHz-5.825GHz
		PT-JX200FWE/JX200FBE
	Mirroring mode	IEEE802.11b/g/n:2.412GHz-2.462GHz IEEE802.11a/n:5.18GHz-5.240GHz
	M-Direct/Simple/User mode	IEEE802.11b/g/n:2.412GHz-2.472GHz IEEE802.11a/n:5.18GHz-5.240GHz
		PT-JX200FWK/JX200FBK
	Mirroring mode	IEEE802.11b/g/n : 2.412GHz-2.462GHz IEEE802.11a/n : 5.180GHz-5.220GH z , 5.745GHz-5.805GH z
	M-Direct/Simple mode	IEEE802.11b/g/n : 2.412GHz-2.472GHz IEEE802.11a/n : 5.180GHz-5.220GH z , 5.745GHz-5.805GH z
	User mode	IEEE802.11b/g/n : 2.412GHz-2.472GHz IEEE802.11a/n : 5.180GHz-5.320GHz, 5.745GHz-5.805GHz
	Wireless channels used	
		PT-JX200FWU/JX200FBU
	Mirroring mode	IEEE802.11b/n/g:1-11 channel IEEE802.11a/n:36/40/44/48/149/153/157/161 channel
	M-Direct/Simple mode	IEEE802.11b/n/g:1-11 channel IEEE802.11a/n:36/40/44/48/149/153/157/161/165 channel
	User mode	IEEE802.11b/n/g:1-11 channel(Active scanning) IEEE802.11a/n:36/40/44/48 channel(Active scanning) 52/56/60/64 channel(Passive scanning) 100/104/108/112/116/132/136/140 channel(Passive scanning) 149/153/157/161/165 channel(Active scanning)
		PT-JX200FWE/JX200FBE
	Mirroring mode	IEEE802.11b/n/g:1-11 channel IEEE802.11a/n:36/40/44/48 channel
	M-Direct/Simple/User mode	IEEE802.11b/n/g:1-13 channel IEEE802.11a/n:36/40/44/48 channel
		PT-JX200FWK/JX200FBK
	Mirroring mode	IEEE802.11b/n/g : 1-11 channel IEEE802.11a/n : 36/40/44/149/153/157/161 channel
	M-Direct/Simple mode	IEEE802.11b/n/g : 1-13 channel IEEE802.11a/n : 36/40/44/149/153/157/161 channel
	User mode	IEEE802.11b/n/g : 1-13 channel IEEE802.11a/n : 36-64, 149-161 channel
	Transmission distance	Approx. 30 m (However, varies depending on the operating environment SD card slot x 1 (SDHC memory card compatible) Operation checked for Panasonic SD memory cards up to 2 GB capacity and Panasonic SDHC memory cards up to 32 GB capacity
Card slot		
Cabinet materials		Molded plastic
Dimensions	Projection Unit (ø x L)	ø170 x 278.8 mm (6-11/16 x 10-31/32 inches)
	Power Unit (L x H x D)	343.4 x 60.8 x 84 mm (13-17/32 x 2-13/32 x 3-5/16 inches)
Weight		Approx. 4.6Kg (10.1lbs)
Operation noise		33 dB (Light source: in Normal mode) 30 dB (Light source: in ECO mode)
Operating environment	Operating temperature*2	0–40°C (32–104°F) (Less than 1,000m (3,281 ft) above sea level) 0–35°C (32–95°F) (From 1,000m (3,281 ft) to 2,700m (8,858 ft) above sea level)
	Operating humidity	10%–80% (no condensation)
<b>Remote control unit</b>	Power supply	3 V DC (R03/LR03/AAA type battery x 2)
	Operation range	Approx. 7 m (22 ft 12 in) when operated from directly in front of the signal receptor
	Dimensions (W x H x D)	44 x 105 x 20.5 mm (1-23/32 x 4-1/8 x 13/16inches)
	Weight	Approx. 63 g (2.2 oz) (including batteries)
<b>Supplied accessories</b>	Wireless remote control unit (x 1)	Batteries for remote control (R03/AAA or LR03/AAA type x 2)
	Software CD-ROM(Multi Monitoring & Control Software for Windows, Wireless Manager ME6.3 for Windows/Mac) (x 1)	
	Card slot cap (x 1)	HDMI terminal cap (x 1) LAN terminal cap (x 1)
	Allen wrench (x 1)	Connector secure lock (x 1)

\*1 Measurement, measuring conditions, and method of notation all comply with ISO/IEC 21118 : 2012 international standards.

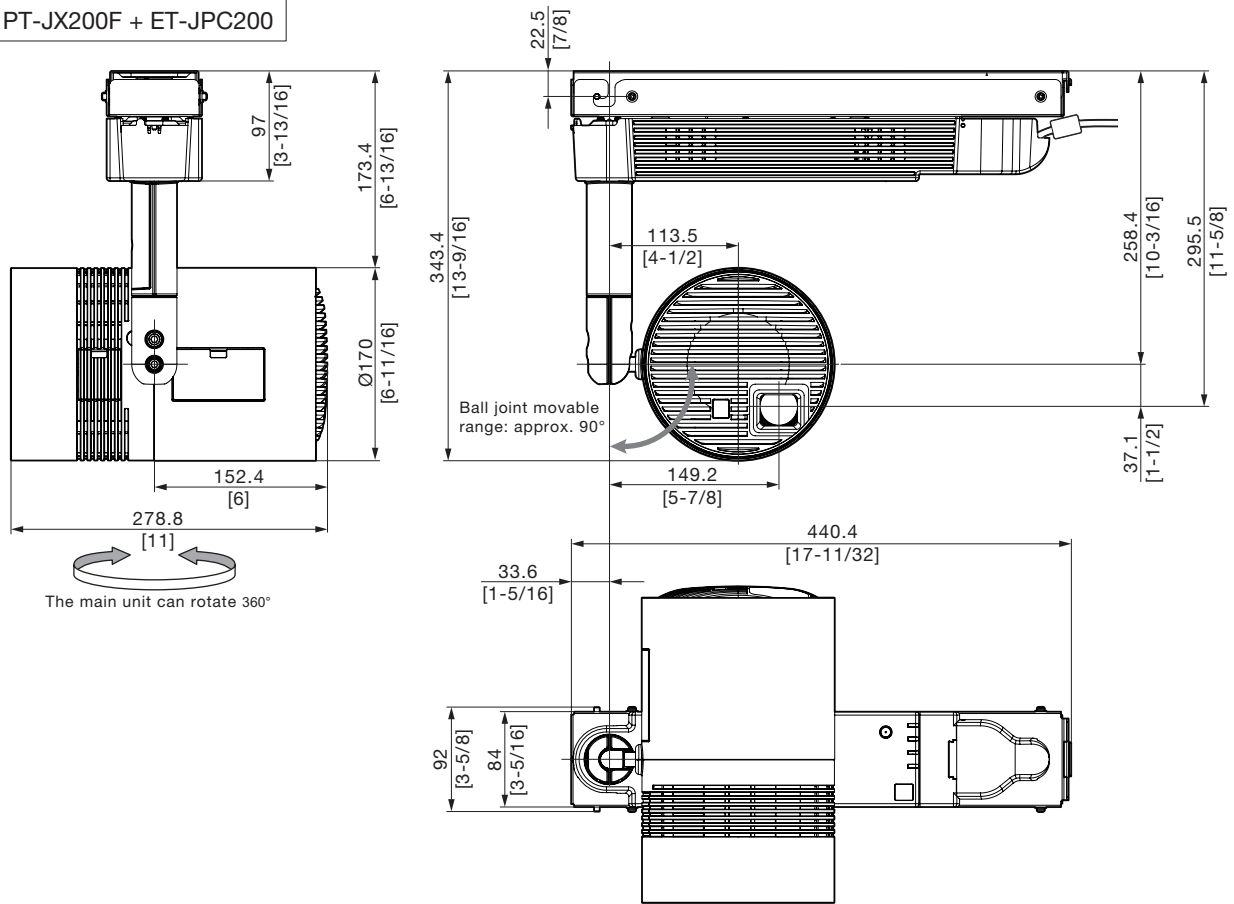
\*2 Limits the luminance when used in locations from 0m to 1,000m (0ft to 3,281ft) above sea level at ambient temperatures of 35°C (95°F) or higher, or from 1,000m to 2,700m (3,281ft to 8,858ft) above sea level at ambient temperatures of 30°C (86°F) or higher.

**Dimensions**

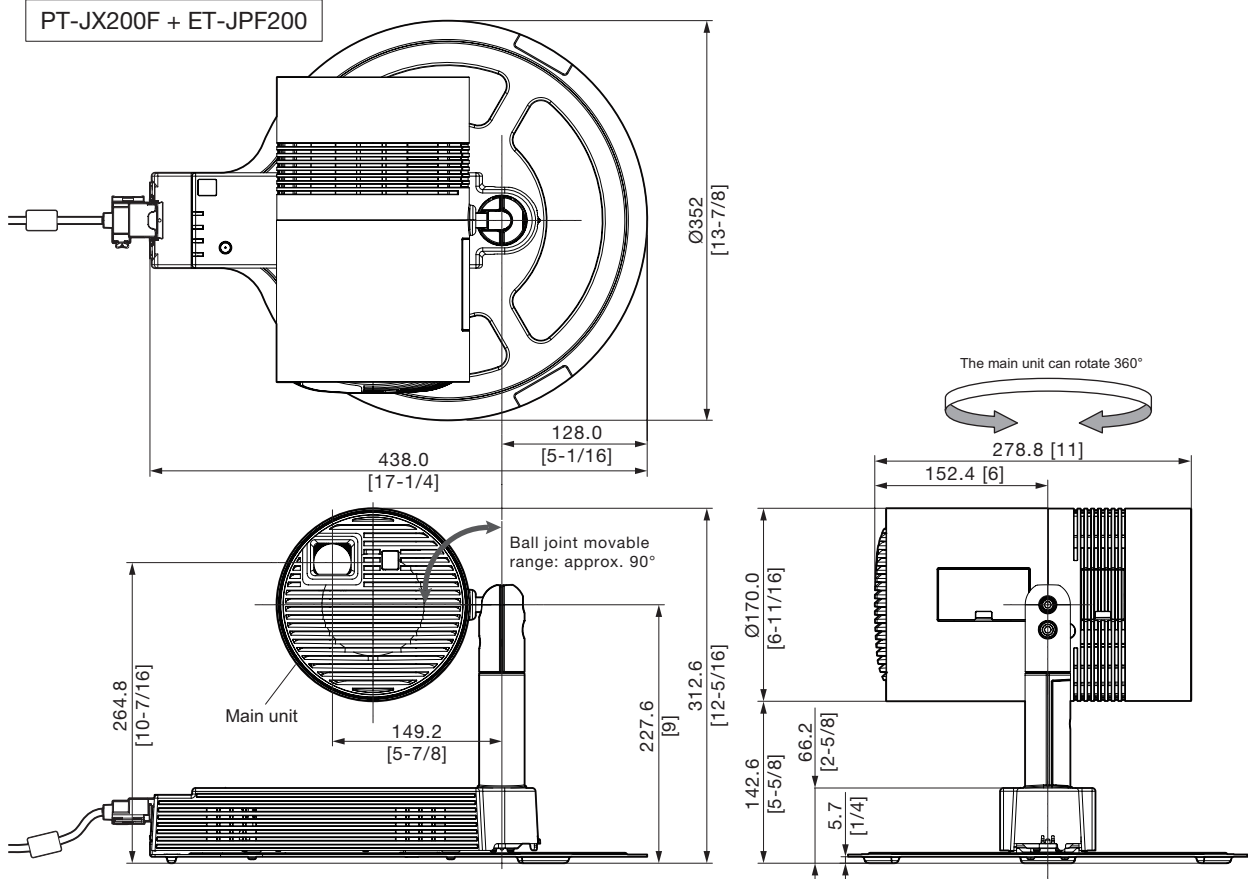


Dimensions

PT-JX200F + ET-JPC200

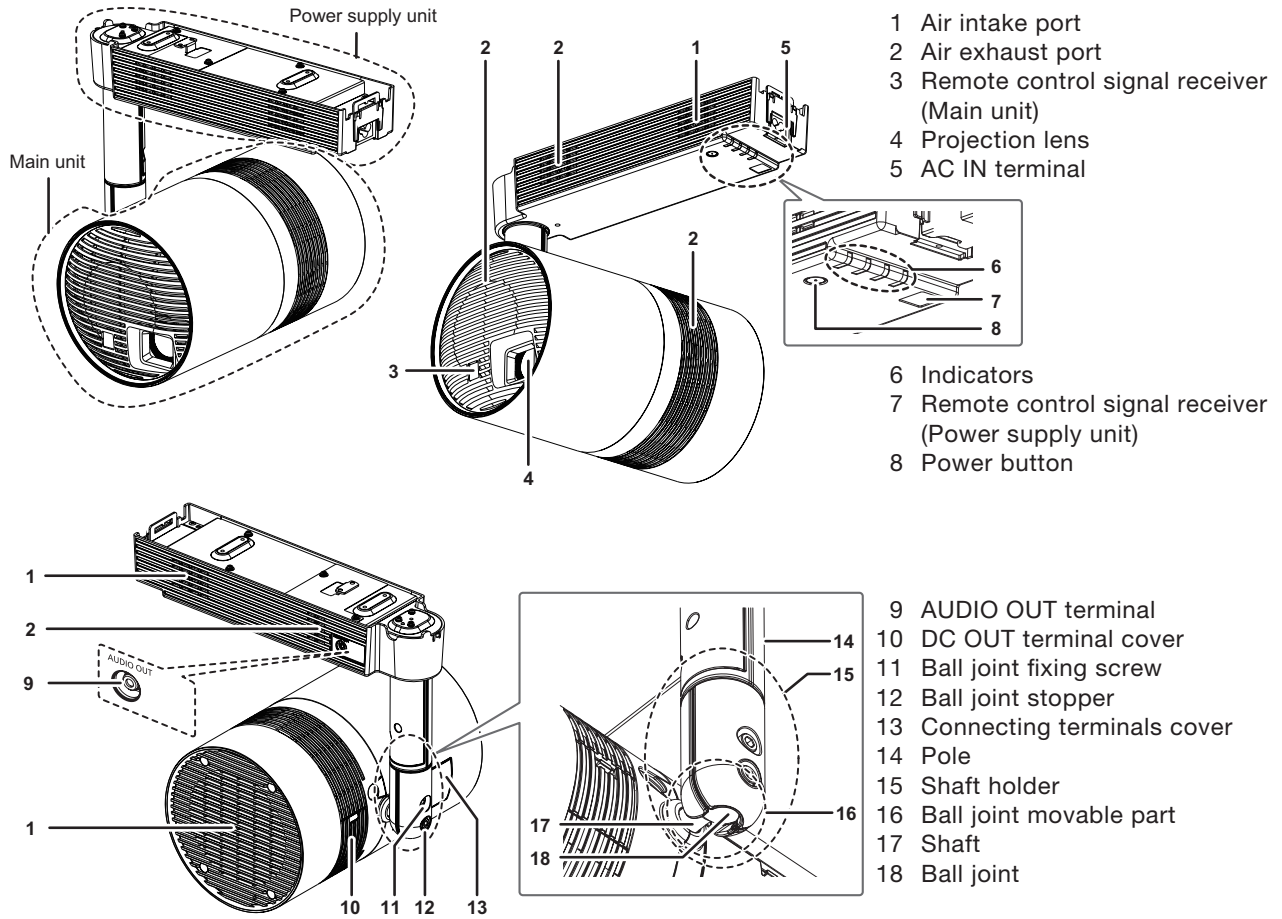


PT-JX200F + ET-JPF200

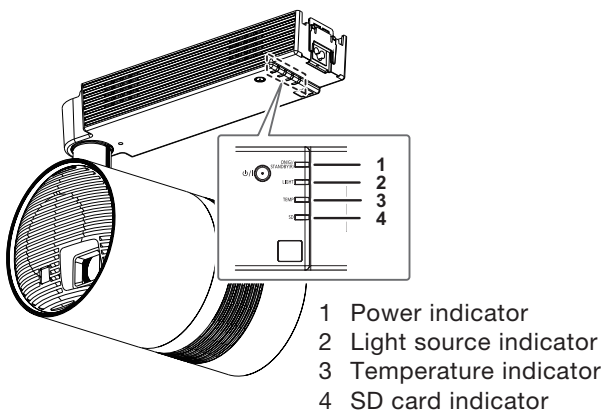


**Name of Parts**

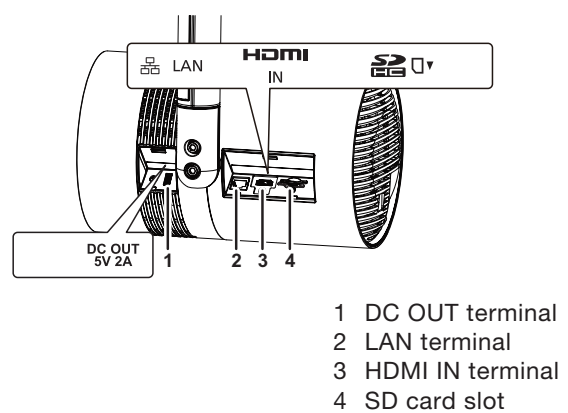
**Projector body**



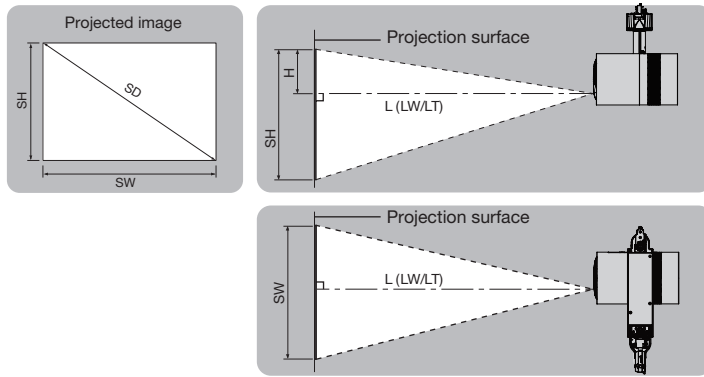
**Indicators**



**Terminals**



**Projection dimension diagrams**



L(LW/LT)*	Projection distance (Distance from surface of projection lens to projection surface) (m)
SH	Image height (m)
SW	Image width (m)
SD	Diagonal screen size (m)
H	Distance from the lens center to the image upper end (m)

This illustration is not drawn to scale.

**NOTE:**

- To maintain performance and ensure safety, the work of installing the projector to a ceiling should be carried out by the place of purchase or a properly-qualified technician.
- Install to a wiring duct which is directly installed to a horizontal ceiling and which can bear the full weight of the projector.

**Projection distance for 4:3 aspect ratio screen**

unit: meters (feet)

Projection size			Projection distance		Distance from the lens center to the image upper end [H]
diagonal [m] [in]	height [SH]	width [SW]	Min [LW]	Max [LT]	
0.76 / 30	0.46 (1.5)	0.61 (2.0)	0.79 (2.6)	1.75 (5.7)	0.15 (0.5)
1.02 / 40	0.61 (2.0)	0.81 (2.7)	1.06 (3.5)	2.35 (7.7)	0.20 (0.7)
1.27 / 50	0.76 (2.5)	1.02 (3.3)	1.34 (4.4)	2.94 (9.6)	0.25 (0.8)
1.52 / 60	0.91 (3.0)	1.22 (4.0)	1.62 (5.3)	3.54 (11.6)	0.31 (1.0)
1.78 / 70	1.07 (3.5)	1.42 (4.7)	1.89 (6.2)	4.14 (13.6)	0.36 (1.2)
2.03 / 80	1.22 (4.0)	1.63 (5.3)	2.17 (7.1)	4.73 (15.5)	0.41 (1.3)
2.29 / 90	1.37 (4.5)	1.83 (6.0)	2.45 (8.0)	5.33 (17.5)	0.46 (1.5)
2.54 / 100	1.52 (5.0)	2.03 (6.7)	2.72 (8.9)	5.92 (19.4)	0.51 (1.7)
3.05 / 120	1.83 (6.0)	2.44 (8.0)	3.28 (10.8)	7.12 (23.4)	0.61 (2.0)
3.81 / 150	2.29 (7.5)	3.05 (10.0)	4.10 (13.5)	8.90 (29.2)	0.76 (2.5)
5.08 / 200	3.05 (10.0)	4.06 (13.3)	5.48 (18.0)	11.88 (39.0)	1.02 (3.3)

**NOTE:**

- The value for L (distance to screen) varies slightly within ±5% depending on the zoom lens characteristics.
- The zoom lens characteristics may cause slight image distortion.
- When vertical keystone correction is used, the image is corrected in the direction that reduces its projected size.
- The brightness varies depending on the zoom setting.

**Calculation of the projection distance**

For a screen size different from the above, use the equation below to calculate the projection distance.

Aspect ratio 4:3

Minimum projection distance       $L = (\text{diagonal screen size in meters}) \times 1.0907 - 0.0507$

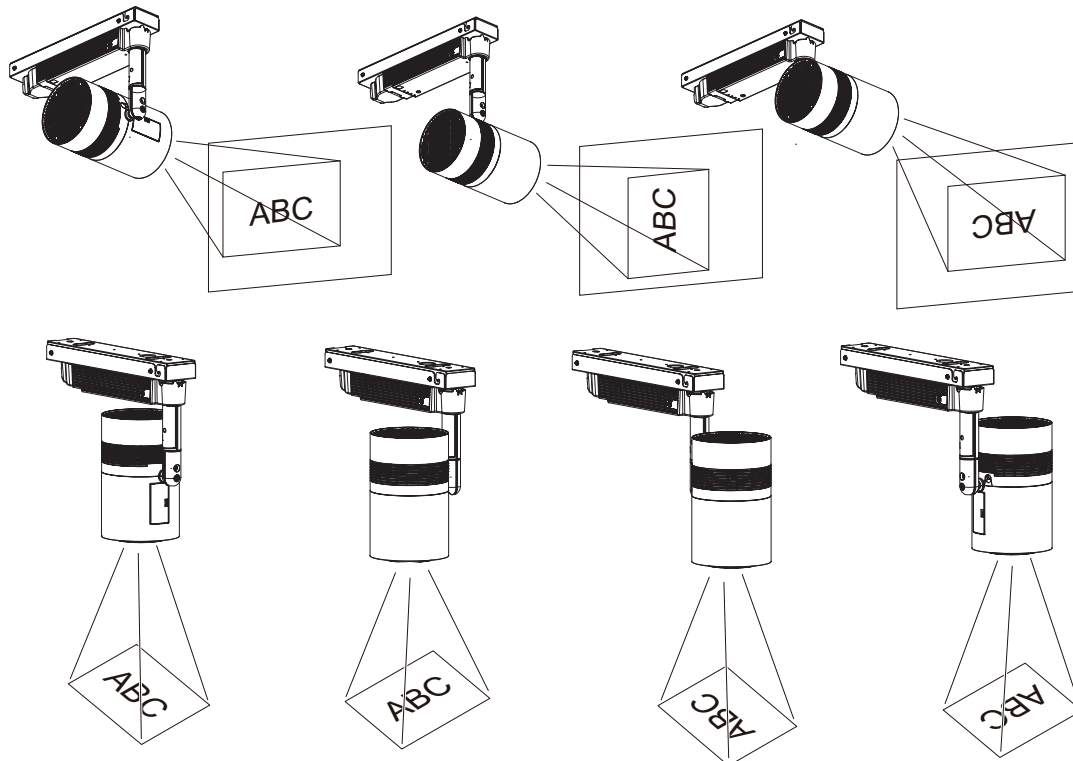
Maximum projection distance       $L = (\text{diagonal screen size in meters}) \times 2.3468 - 0.0379$

**NOTE:**

- Distances calculated with the above equations will include slight deviations.

**Projection direction**

The diagrams below show examples with "Projection method" set to "Front" and "Flip Vertical" set to "Off".



**List of compatible signals**

Following are the HDMI input image signals which this projector is able to project.

Display mode	Display resolution (dots)	Scanning frequency H (kHz)	V (Hz)	Dot clock frequency (MHz)	Plug and Play*
525 (480) /60i	1440(720) x 480	15.7	59.9		—
625 (576) /50i	1440(720) x 576	15.6	50.0	27.0	—
525p (480) /60p	720 x 483	31.5	59.9		✓
625p (576) /50p	720 x 576	31.3	50.0		✓
750 (720) /60p	1280 x 720	45.0	60.0		✓
750 (720) /50p		37.5	50.0		✓
1125 (1080) /60i	1920 x 1080	33.8	60.0	74.3	✓
1125 (1080) /50i		28.1	50.0		✓
1125 (1080) /60p		67.5	60.0	148.5	✓
1125 (1080) /50p		56.3	50.0		✓
640 x 480	640 x 480	31.5	59.9	25.2	✓
800 x 600	800 x 600	35.2	56.3	36.0	✓
		37.9	60.3	40.0	✓
1024 x 768	1024 x 768	48.4	60.0	65.0	✓
1280 x 720	1280 x 720	37.1	49.8	60.5	—
		44.8	59.9	74.5	—
1280 x 768	1280 x 768	39.6	49.9	65.3	—
		47.8	59.9	79.5	—
1280 x 800	1280 x 800	41.3	50.0	68.0	—
		49.7	59.8	83.5	✓
1280 x 1024	1280 x 1024	64.0	60.0	108.0	—
1600 x 900	1600 x 900	46.4	49.9	96.5	—
		56.0	59.9	118.3	—

\* Signals with a ✓ in the Plug and play columns are signals described in EDID (extended display identification data) of the projector. If a signal has no ✓ in the Plug and play columns but has an entry in the Format column, it can be input. For signals without a ✓ in the Plug and play columns, there are instances when resolution cannot be selected on the computer even though the projector supports them.

**NOTE:**

For some types of image signal, the image processing which is carried out may cause deterioration in the projected images.



**Images that can be played back by the memory viewer function**

This projector can play back the following still images and video files.

Still images	Extension	Format	Limitations
	jpg/jpeg	JPEG	Resolution: Max. 8000 x 8000 (Max. 4096 x 4096 for progressive format) YUV format: Only compatible with YUV444, YUV422 and YUV411. Color mode: Only compatible with RGB
bmp	Windows Bitmap	Resolution: Max. 2000 x 2000 (Compatible with 1-bit, 8-bit, 16-bit, 24-bit, 32-bit) The following formats are not compatible with this projector. Run-length encoding, bit field, top-down, transparent data	

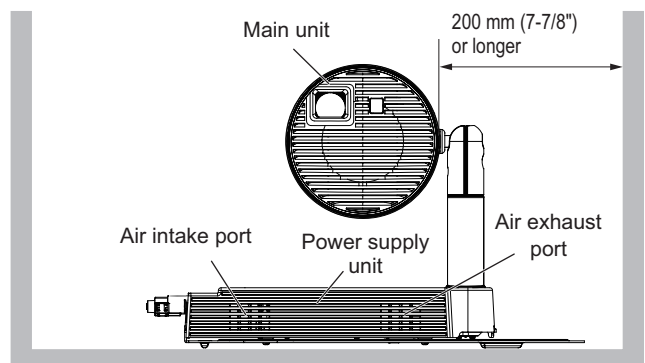
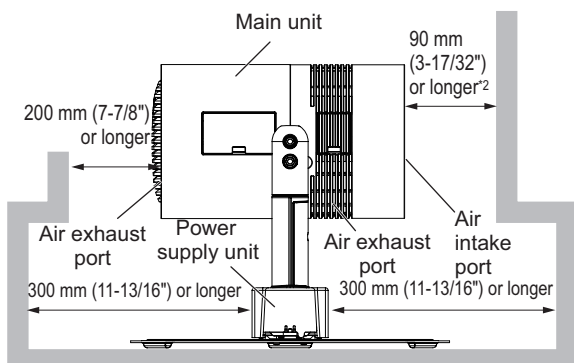
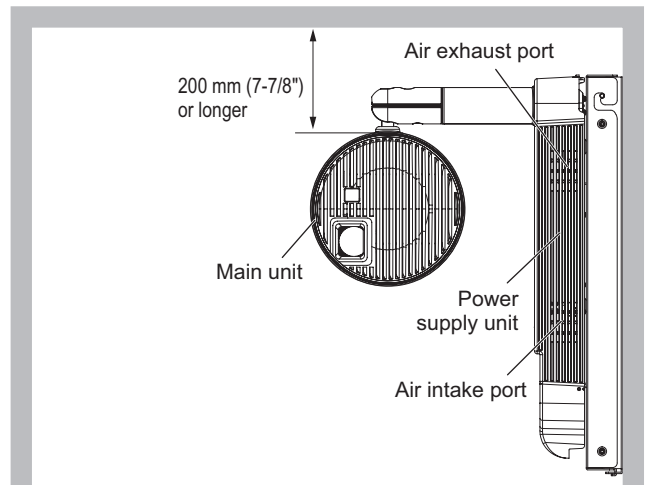
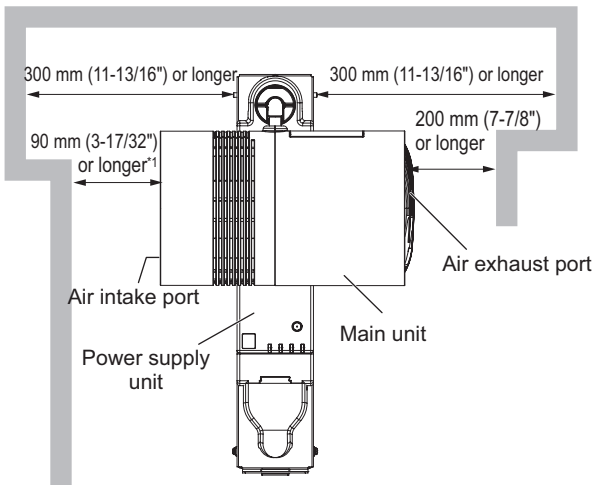
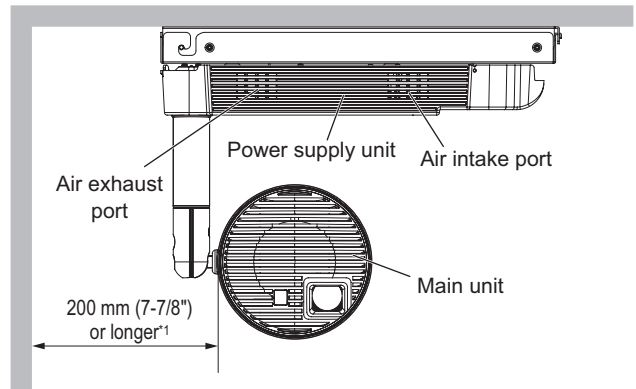
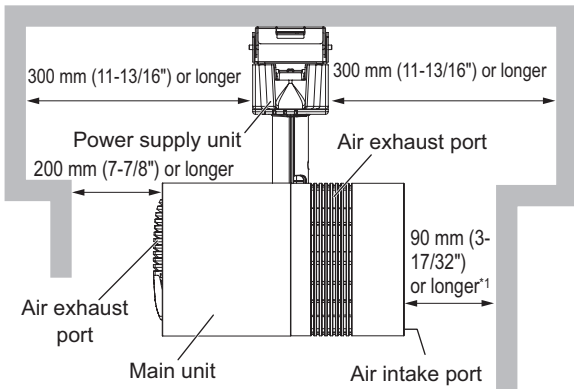
Video	Extension	Codec		Limitations	
		Images	Audio	Images	Audio
	mov	H.264/MPEG-4 AVC Motion JPEG	AAC Linear PCM	Resolution: Max. 1920 x 1080 Min. 240 x 180 Frame rate: Max. 30 fps Bit rate: Max. 40 Mbps	Sampling rate: Max. 48 kHz (Max. 16 kHz for linear PCM) Channels: Max. 2 channels Bit rate: Max. 384 Kbps
avi	H.264/MPEG-4 AVC Motion JPEG MPEG-4	MPEG-1/2 Audio Layer-3 (MP3) AAC Linear PCM			
mp4	H.264/MPEG-4 AVC Motion JPEG MPEG-4	AAC MPEG-4 AAC-LC			
mpg/mpeg	MPEG-2	MPEG-1/2 Audio Layer-2			
wmv	WMV9	WMA			

The following video files are not compatible with this projector.

- Image codec is WMV7, WMV8, DivX or Xvid
- Uncompressed images
- Multi-angle images
- Profile is Advanced Simple Profile @ Level 0 or Advanced Simple Profile @ Level 1

**Notes on projector placement and operation**

- Do not block the ventilation ports (intake and exhaust) of the projector.
- Prevent hot and cool air from the air conditioning system to blow directly to the ventilation ports (intake and exhaust) of the projector.



\*1 Distance from the wall or ceiling surface which will block the whole air intake & Air exhaust port

\*2 Distance from the wall or floor surface which will block the whole air intake port

- Do not install the projector in a confined space.
- When installing the projector in a confined space, provide air conditioning or ventilation separately. Exhaust heat may accumulate when the ventilation is not enough, triggering the protection circuit of the projector.