



**SALAMANDER
DESIGNS**

Furniture Shaped By Your Needs ®

COLLABORATION FURNITURE

BUNDLE SOLUTIONS



4 BAY, SINGLE XL MONITOR LOW-PROFILE, WALL CABINET D1/347AMXL/

Low-profile, shallow depth cabinets are sleek, streamlined solutions for supporting AV/IT technology. Our innovative design conceals all equipment and cables, and simple installation allows them to be affixed to any wall without special preparation. Beautiful furniture solutions that integrate the 84" Surface Hub™. Easily attaches to wall to form a slim design that allows comfortable standing use of the touch screen while providing plenty of storage for technology enhancing accessories.

Available in a variety of styles.



DYO
DESIGN YOUR OWN

See our **full-line catalog** for more customizable credenzas or visit SalamanderDesigns.com/Commercial.

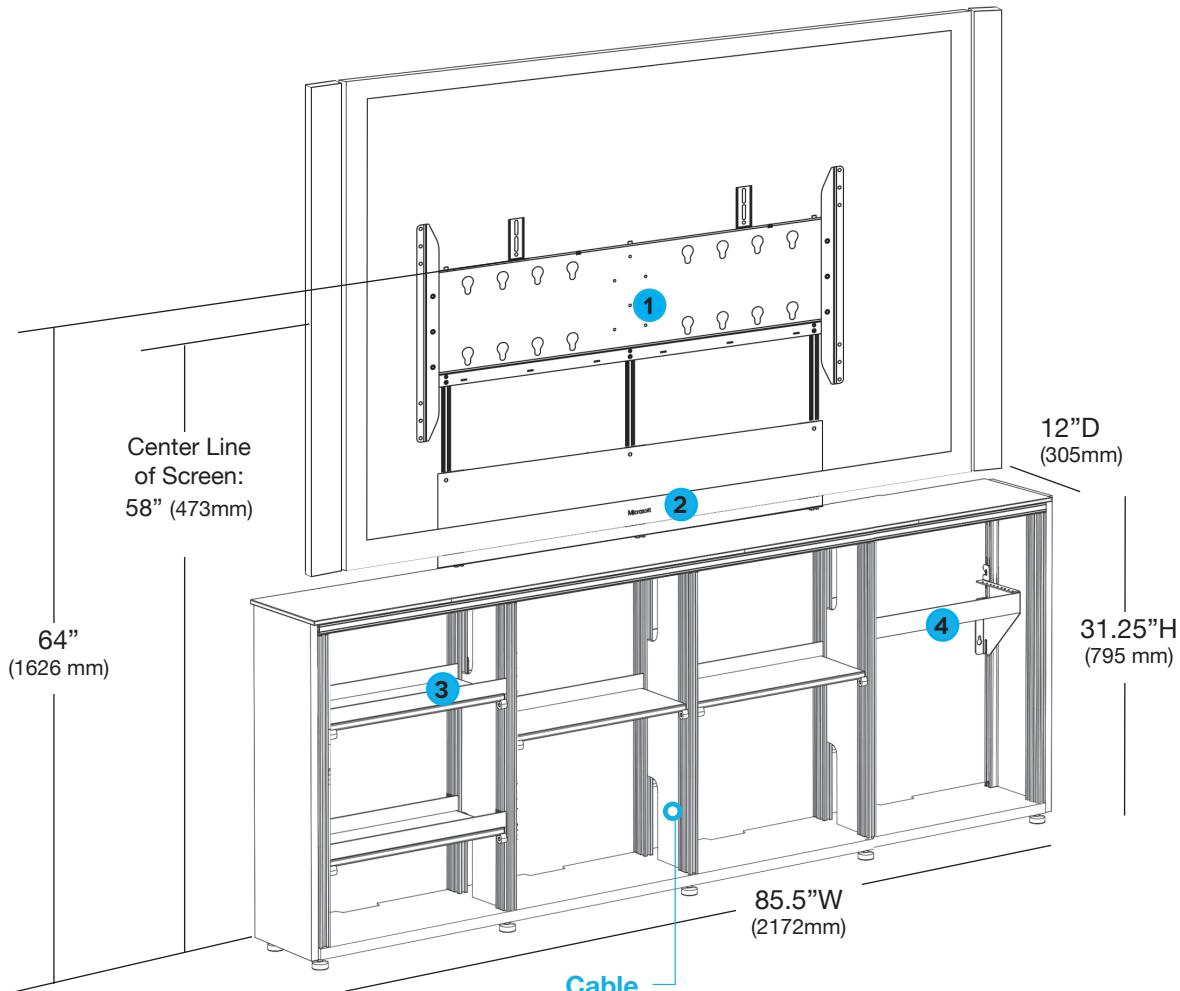




4 BAY, SINGLE XL MONITOR, LOW-PROFILE WALL CABINET

D1/347AMXL/

BUNDLE SOLUTIONS



Aluminum Frame
Durable and flexible support chassis.



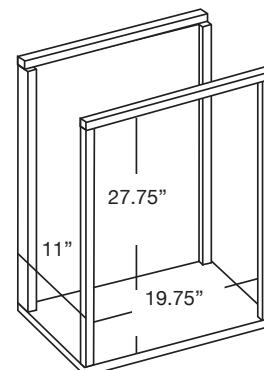
Leveler Feet

CABINET INCLUDES:

1. (1) XL Monitor Mount: Holds 65-90", 300 lbs (136 kg). Designed to accommodate the 84" Surface Hub
2. (1) Black, Modesty Panel
3. (4) Adjustable Trays and (6) Shelf Stops
4. (1) 3-U Vertical Rack

Typical Interior Bay Dimensions:

19.75"W (502 mm) x 27.75"H (705 mm) x 11"D (279 mm)

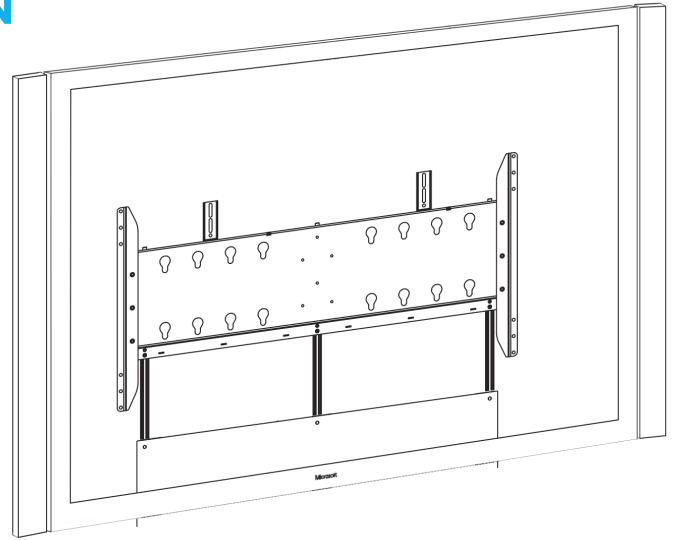




VIDEO INTEGRATION

XL Monitor Mount

- Holds 65-90", 300 lbs (136 kg)
- Integrated mount with 11.75"H (298mm) black modesty panel
- Vesa Compliant
Horizontal: 400, 600, 800, 1000, 1200mm
Vertical: 400, 500, 600mm



Integrate Camera(s) with Optional Shelf

- Fully adjustable height.
- Single Shelf (CA/CM/S): 10"W (254mm) x 6"D (152mm) x .25"Th (6mm)
- Dual Shelf (CA/CM/D): 10"W (254mm) x 6"D (152mm) x .5"Th (13mm)
- Maximum Weight Capacity of 5 lbs (2 kgs)

INTERIOR STORAGE

Adjustable Trays

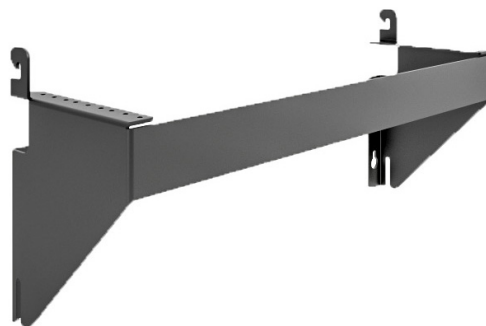
- Measures: 19.75"W (502mm) x 7.875"D (200mm) x 1.5"H (38mm)
- Maximum Weight Capacity of 30 lbs (13.6 kgs)
- Constructed of 1/2" (12mm) MDF
- Shelves can be used flat or add a backstop or two to convert shelves to adjustable trays.
- Includes 4 adjustable trays and 6 shelf stops.





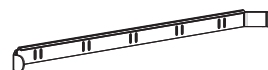
3-U VERTICAL RACK

- Rack is mounted to cabinet frame, for industry standard 19" pro audio rack mounting
- 3 rack units of vertical mounted, knob up component storage
- Threaded for 10-32 screws
- Black powder coated steel



Length	572 mm	22.5 inch
Overall Height	419 mm	16.5 inch
Depth	190.5 mm	7.5 inch
Weight	3.63 kg	8 lbs
Capacity	81 kg	40 lbs

Wire Lacing Bars Available
RM/VR/3U





4 BAY, SINGLE XL MONITOR, LOW-PROFILE WALL CABINET

D1/347AMXL/

BUNDLE SOLUTIONS

STYLES

We select the finest materials and finishes. Choose from sleek, hand-polished, high-gloss finishes to richly textured real wood fronts. All styles come with standard leveler feet.

If you are looking for something different or special please contact us to discuss custom options.

TEXTURED



BERLIN
Wenge, Wave-Texture
Doors with 1/2" (12mm) Black,
Solid Surface
D1/347AMXL/BL/WE



CHICAGO
Black Oak, Grass-Textured
Doors with 1/2" (12mm) Black,
Solid Surface
D1/347AMXL/CH/BO

BLACK & WHITE



OSLO
Black Oak Sides, Black Glass
Doors with 1/2" (12mm) Black,
Solid Surface
D1/347AMXL/OS/BG



DENVER - OAK
Natural Oak, Bark-Textured
Doors with 1/2" (12mm) Black,
Solid Surface
D1/347AMXL/DV/NO



DENVER - WALNUT
Medium Walnut, Bark-Textured
Doors with 1/2" (12mm) Black,
Solid Surface
D1/347AMXL/DV/MW



MIAMI - BLACK
Gloss Warm White
Doors with 1/2" (12mm) Black,
Solid Surface
D1/347AMXL/MM/GW/BK



ZURICH
Opium Brown, Linear-Texture
Doors with 1/2" (12mm) Black,
Solid Surface
D1/347AMXL/ZU/OB



MIAMI - WHITE
Gloss Warm White
Doors with 1/2" (12mm) White
Solid Surface
D1/347AMXL/MM/GW/WH