

# QT8716

<b>NVR Technology</b>	IP
<b>Channels</b>	16 (32)
<b>Recording Resolution</b>	720p / 1080p / 3MP / 4MP
<b>Live Viewing Resolution</b>	1080p
<b>Live Display FPS</b>	30 FPS per Channel
<b>Hard Drive</b>	Supports 8 HDD up to 6TB each
<b>Remote Monitoring</b>	18 Simultaneous Users
<b>Compatibility</b>	Mac and PC
<b>Connects With</b>	IP Cameras
<b>Monitor Connections</b>	HDMI, VGA



## DVR

Video Compression	H.264
Live Display Resolution	1080p, 720p, 720x480
Live Display FPS	30 FPS
Display Modes	1, 4, 9, 16, 32 Auto Sequence
Languages	English, Chinese (Simplified & Traditional), Czech, French, Portuguese, Spanish, Turkish, Bulgarian, Greek, Italian, German, Russian, Polish, Japanese, Indonesian, Thai, Hungarian, Lithuanian, Vietnamese, Dutch, Swedish, Norwegian, Persian, Arabic, Romanian

## RECORDING RESOLUTION OPTIONS

4MP	2560 x 1440 pixels
3MP	2048 x 1536 pixels
1080P	1920 x 1080 pixels
720P	1280 x 720 pixels

## RECORDING

Recording Modes	Manual, Time Schedule, Motion Detection, Alarm
Backup Methods	PC, Flash, USB Hard Drive

## PLAYBACK ON NVR

Playback Speed	4MP at 25FPS per channel	400 FPS Total
	3MP at 30FPS per channel	480 FPS Total
	1080p at 30 FPS per channel	480 FPS Total
	720p at 30 FPS per channel	480 FPS Total
Number Channels	4 Simultaneous	

## REMOTE MONITORING

Scan 'N View	Yes
Dual Stream	CIF
Simultaneous Users	20

## COMPATIBILITY

Software Support	QT View
Mobile Support	iPhone, iPad, Android,
Computer Support	WinXP, Vista, Win7/8, Mac OS 10.7/10.8/10.9/10.10
ONVIF	2.3

## VIDEO, AUDIO & ALARM PORTS

Video in	16 POE (add'l 16 via network)
Video Out	HDMI, VGA
Alarm In	4 local, 16 via IP Camera
Alarm Out	1
Audio In	1 RCA, 16 via IP Camera
Audio Out	1 RCA

## COMMUNICATION PORTS

Network	RJ45 10/100 Mbps
USB	1 USB 3.0, 1 USB 2.0
eSATA	1

## ACCESSORIES

Control	USB Mouse, Remote Control
Connectors / Cables	HDMI Cable
Mounting Hardware	Screws for Hard Drives
Other	Quick Start Guide

(QT8716 cont'd...)

**HARD DRIVES**

Maximum Size	6TB
Number Supported	8

**PTZ**

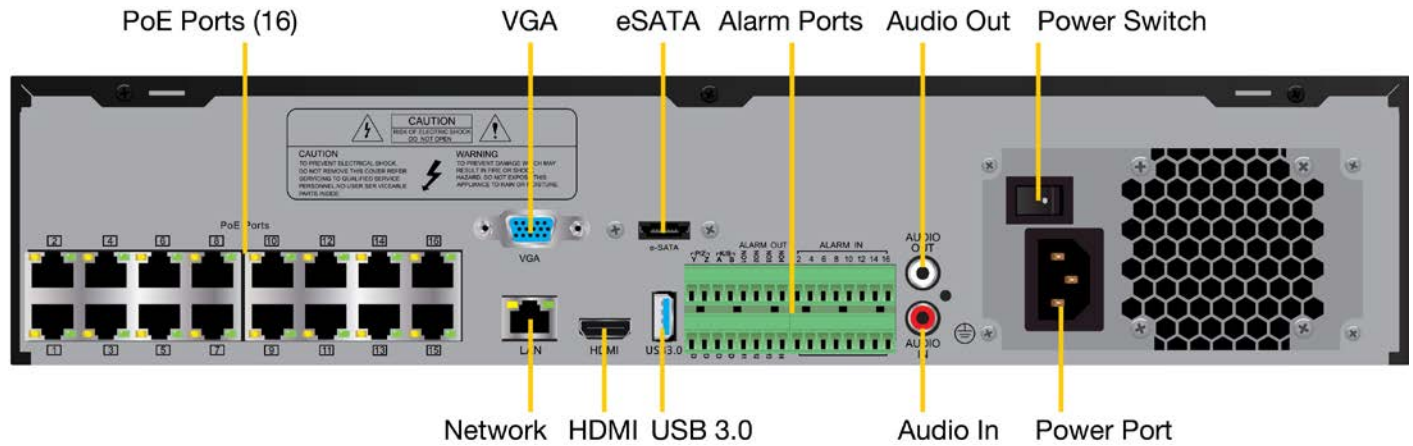
PTZ Support	Supported through CAT5e cable
Supported Protocols	Provided from camera

**POWER**

Power Supply	AC110-220 (NVR & PoE)
Power Consumption	30w (w/o HD)

**PHYSICAL**

Weight	14.4 lbs
Dimensions	16.75"W X 17.75"D X 3.5"H
Operating Temperature	32° - 122°F



# QTN8041B

<b>Camera Type</b>	Bullet
<b>Camera Technology</b>	IP
<b>Image Sensor Size</b>	1/3"
<b>Image Sensor Type</b>	CMOS
<b>Image Resolution</b>	4 Megapixels High Definition
<b>Effective Pixels</b>	2560 x 1440
<b>Lens Size</b>	3.6mm
<b>Angle of View</b>	72°
<b>IR Cut Filter</b>	Yes



## NIGHT VISION

IR LEDs	30
Infrared Wavelength	850nm
Min Lux Illumination	0 Lux LEDs on
Night Vision Range	Up to 100 ft

## ADDITIONAL IMAGE FEATURES

Auto Iris	No
On Screen Display	No
Backlight Compensation	No
Electronic Shutter	1/25-1/100,000s
Gain Control	Auto
Wide Dynamic Range	DWDR
Noise Reduction	3D

## REMOTE MONITORING

Use as Standalone	Yes
Compatible Mobile Devices	iPhone, iPad, Android
Compatible Computers	Windows, Mac – QT View App
Compatible Systems	NVRs

## PHYSICAL ATTRIBUTES

Weatherproof	Yes
IP Rating	IP66
Body Construction	Metal
Mounting Hardware	Screws
Weight	14 oz
Dimensions without bracket	2.5" w x 4.25 d" x 2.5" h
Dimensions with bracket	2.5" w x 7.25 d" x 2.5" h
Operating Temperature	-4° to 122° F

## RESOLUTION & BITRATE

4MP (2560 x 1440)	25 FPS
3MP (2304 x 1296)	30 FPS
2MP/1080p (1920 x 1080)	30 FPS
1MP/720p (1280 x 720)	30 FPS
Bitrate:	Up to 8Mbps

## PTZ

Horizontal Rotation	Not applicable
Vertical Tilt	Not applicable
Preset and Cruise Patterns	Not applicable

## AUDIO

Audio Range	Depends on Microphone
Audio Microphone	Audio-in port

## CONNECTIVITY

Connector Types	RJ45 POE ONVIF2.3
Other Connections	2.1mm power,
Wireless	No

## POWER

Power Supply	12V 500mA
Power Consumption	<6 W (LEDs ON)

# QTN8044D

<b>Camera Type</b>	Dome
<b>Camera Technology</b>	IP
<b>Image Sensor Size</b>	1/3"
<b>Image Sensor Type</b>	CMOS
<b>Image Resolution</b>	4MP (2560 x 1440)
<b>Effective Pixels</b>	2688 x 1520
<b>Lens Size</b>	Varifocal 2.8mm – 12mm
<b>Angle of View</b>	24 to 81
<b>IR Cut Filter</b>	Yes



## NIGHT VISION

IR LEDs	30
Infrared Wavelength	850nm
Min Lux Illumination	0 Lux LEDs on
Night Vision Range	100 ft

## ADDITIONAL IMAGE FEATURES

Auto Iris	No
On Screen Display	No
Backlight Compensation	No
Electronic Shutter	1/3-1/100,000s
Gain Control	Auto
Wide Dynamic Range	DWDR
Noise Reduction	3D

## REMOTE MONITORING

Use as Standalone	Yes
Compatible Mobile Devices	iPhone, iPad, Android
Compatible Systems	NVRs

## RESOLUTION AND FRAME RATE

4MP (2560 x 1440)	25FPS
3MP (2304 x 1296)	30FPS
2MP/1080p (1920 x 1080)	30FPS
1MP/720p (1280 x 720)	30FPS

## PTZ

Horizontal Rotation	Not applicable
Vertical Tilt	Not applicable
Preset and Cruise Patterns	Not applicable

## AUDIO

Audio Range	Depends on Microphone
Audio Microphone	Audio in/out ports

## CONNECTIVITY

Connector Types	RJ45 POE ONVIF2.3 Profile S
Other Connections	2.1mm power, BNC out, RS485, Alarm 1 in/1 out
Memory Slot	MicroSD / Max 64GB
Wireless	No

## POWER

Power Supply	12V 500mA or POE
Power Consumption	<6W (LEDs ON)

## PHYSICAL ATTRIBUTES

Weatherproof	Yes
IP Rating	IP66
Body Construction	Metal
Mounting Hardware	Screws
Weight	35 oz
Dimensions	6" w x 4.5" h
Operating Temperature	-4° to 122° F