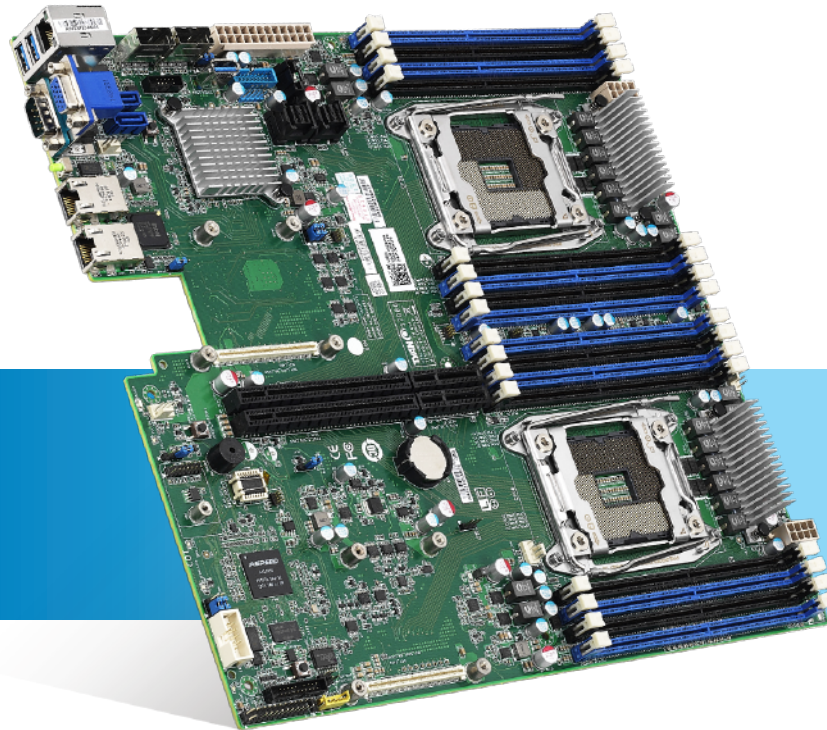
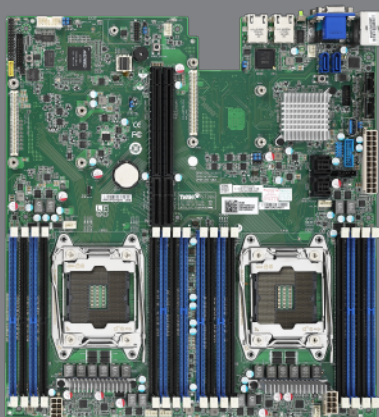


DUAL-SOCKET SERVER PLATFORM FOR HPC



S7086

S7086GM3NR
S7086GM3NRE



■ Intel® C612 Chipset

Rack-optimization dual-socket server implimentation for CSP deployment

- Dual LGA2011 socket supports (2) Intel® Xeon® processor E5-2600 v3/v4 series processors
- Intel® C612
- (8+8) 284-pin DDR4 DIMM slots RDIMM 2400/2133/1600; LRDIMM/LRDIMM 3DS 2400/1866
 - * Up to 2400 speed support only w/E5-2600 v4
 - Support up to 512GB RDIMM/1,024GB LRDIMM/2,048GB LDRIMM 3DS
 - * Follow latest Intel® DDR4 Memory POR
- (2) sets of the following expansion combination:
 - (1) PCI-E x16 slot in-lined with / (1) PCI-E x4 slot (routed to PCI-E x8 bus) recommended to use TYAN riser card
 - (1) OCP slot for Mezz Card
 - (1) Proprietary slot for SAS Mezz Card
 - (4) Mini-SAS HD for MVMme Device(-E SKU)
 - (8) SATA ports by (2) mini-SAS connector running at 6.0 Gb/s w/ RAID 0, 1, 10, 5 support
 - (2) SATA connectors running at 6.0 Gb/s w/ RAID 0, 1, 10, 5 support
 - (3) GbE (1 port shared with IPMI) (via Intel® I350-AM2 + Intel® I210)
 - EATX (12" x 13", 305mm x 330mm)

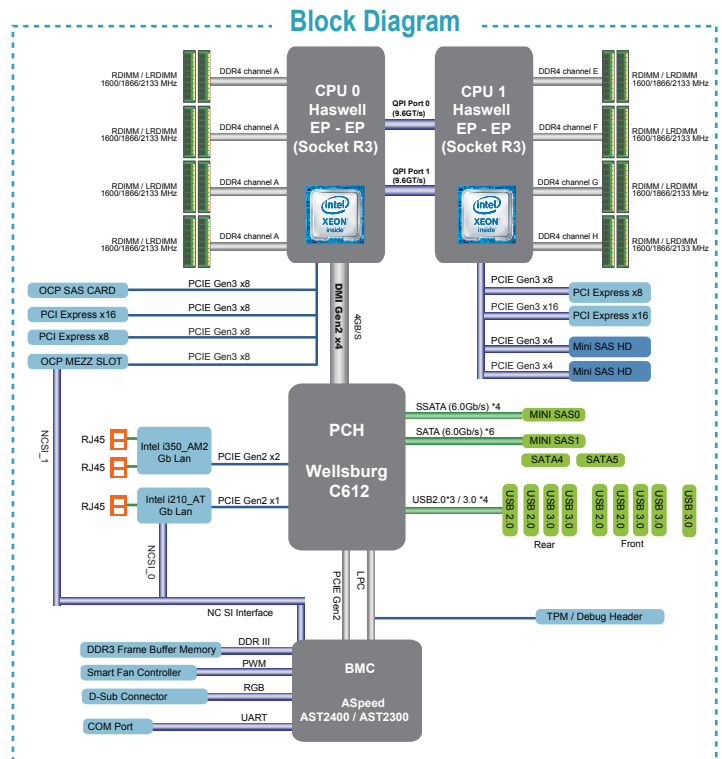


S7086

S7086GM3NR / S7086GM3NRE

TYAN Specifications

Processor	Supported CPU Series	Intel® Xeon® Processor E5-2600 v3/v4 series processors	
	Socket Type / Q'ty	LGA2011 / (2)	
	Thermal Design Power (TDP) wattage	Max up to 160W	
Chipset	PCH	Intel® C612 series	
	Super I/O	-	
Memory	Supported DIMM Qty	(8+8) DIMM sockets	
	DIMM Type / Speed	RDIMM DDR4 2400/2133/1600 / LRDIMM DDR4 2400/1866 / LRDIMM 3DS DDR4 2400/1866 (*Up to 2400 speed support only w/E5-2600 v4)	
	Capacity	Up to 512GB RDIMM/ 1,024GB LRDIMM/ 2,048GB LRDIMM 3DS *Follow latest Intel® DDR4 Memory POR	
	Memory channel	4 Channels per CPU	
	Memory voltage	1.2V	
	PCI-E	Note	(2) sets of the following expansion combination: (1) PCI-E x16 slot in-lined with / (1) PCI-E x4 slot (routed to PCI-E x8 bus) recommended to use TYAN riser card Note (1) OCP slot for Mezz Card (1) Proprietary slot for SAS Mezz Card (4) Mini-SAS HD for NVMe device for TYAN proprietary (-E SKU)
Expansion Slots	Recommended TYAN® Riser Card	M7056-L24-3F, PCI-E x16 2U riser card (left) / M7056-R24-3F, PCI-E x16 2U riser card (right)	
	PCI	-	
	LAN	Port Q'ty	(3) GbE ports
Storage	SATA	Connector	(1) Mini-SAS (4-ports) + (2) SATA (totally support 6 ports)
		Controller	Intel® C612
		Speed	6.0 Gb/s
		RAID	RAID 0/1/10/5 (Intel RST)
SSATA	Connector	(1) Mini-SAS (4-ports)	
	Controller	Intel® C612	
	Speed	6.0 Gb/s	
	RAID	RAID 0/1/10/5 (Intel RST)	
Graphic	Connector type	D-Sub 15-pin	
	Resolution	up to 1920 x 1200	
	Chipset	Aspeed AST2400	
Audio	Chipset	-	
	Version	-	
Input /Output	USB	(2) USB3.0 ports (at rear) / (2) USB 2.0 ports (via cable) / (1) Type-A USB3.0 port	
	COM	(1) header (1) port (at rear)	
	Audio	-	
	VGA	(1) D-Sub 15-pin VGA port	
	DVI	-	
	Display Port	-	
	Power	SSI 24-pin + 8-pin + 8-pin power connectors	
	RJ-45	Total (3) GbE ports, (1) shared with IPMI	
	SAS	-	
	Front Panel	(1) 2x12-pin SSI front panel header	
	SATA	(2) Mini-SAS connector (2) SATA-III connectors	
	PSMI	(1) 1x5-pin header	



System Monitoring	Chipset	Aspeed AST2400
	Voltage	Monitors voltage for CPU, memory, chipset & power supply
	Fan	Total (7) 4-pin headers
Server Management	Temperature	Monitors temperature for CPU & system environment
	Onboard Chipset	Onboard Aspeed AST2400
	AST2400 IPMI Feature	IPMI 2.0 compliant baseboard management controller (BMC) / Supports storage over IP and remote platform-flash / USB 2.0 virtual hub
BIOS	AST2400 iKVM Feature	24-bit high quality video compression / 10/100 Mb/s MAC interface
	Brand / ROM size	AMI / 16MB
Form Factor	Feature	User-configurable H/W monitoring / SMBIOS 2.7/PnP/Wake on LAN / PXE boot support / ACPI 3.0/ACPI sleeping states S1,S4,S5
	Form Factor	EATX
Operating System	Board Dimension	12"x13" (305x330mm)
	OS supported list	Please refer to our OS supported list.
Regulation	FCC (DoC)	Class A
	CE (DoC)	Yes
Operating Environment	Operating Temp.	10° C ~ 35° C (50° F ~ 95° F)
	Non-operating Temp.	- 40° C ~ 70° C (-40° F ~ 158° F)
	In/Non-operating Humidity	90%, non-condensing at 35° C
RoHS	RoHS 6/6 Complaint	Yes

(Specifications are subject to change without notice. Items pictured may only be representative.)

MITAC COMPUTING TECHNOLOGY CORP.
TYAN Business Unit

USA
Tel: +1-510-651-8868
Fax: +1-510-651-7688

Taiwan
Tel: +886-2-2652-5888
Fax: +886-2-2652-5805

Japan
Tel: +81-3-3769-8311
Fax: +81-3-3769-8328

China
Shanghai Tel: +86-21-61431188 Ext 1366
China Tel: +86-010-62555015 Ext 8302