

ETS-T50

High performance CPU air cooler



ETS-T50A-WVS



ETS-T50 AXE

High performance CPU air cooler

- 250W+ TDP support for superior cooling performance
- Patented PDF design to increase 15% more airflow
- 12cm Dust Free Rotation technology fan
- Patented Rotatable Air Guide

ETS-T50 AXE (White), a high-performance side-flow CPU cooler with 5 x Ø6mm heat pipes, features a 12cm DFR™ (Dust Free Rotation) technology fan and patented Pressure Differential Flow (PDF) design, offering users an outstanding cooling solution with powerful 250W TDP support. The patented Rotatable Air Guide is an ideal design for preferred airflow direction adjustment. Including patented circular-type LED fan with 36 diodes in white and 5 lighting modes. ETS-T50 AXE (White) can deliver spectacular LED lighting effects and help gaming enthusiasts create a personalized look that matches their styles.

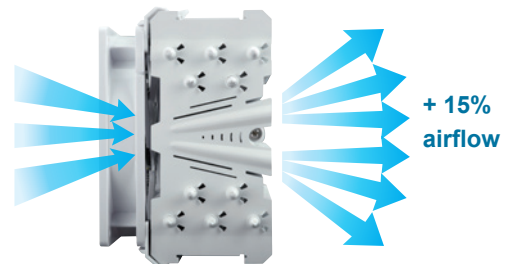


ETS-T50A-WVS

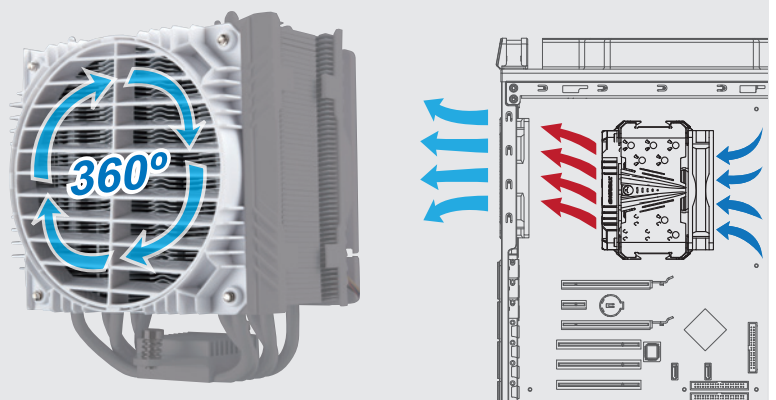
Features

Patented PDF (Pressure Differential Flow) design

By using differential wind pressure, the PDF design is to squeeze the air flow to pass through the cone-shaped tunnel rapidly. This patented design can help increase 15% more airflow and enhance the cooling performance.



Patented Air Guide with rotatable grill for preferred airflow direction adjustment directly toward the rear case fan area



Asymmetric heat pipe design allows extra space for ideal RAM compatibility

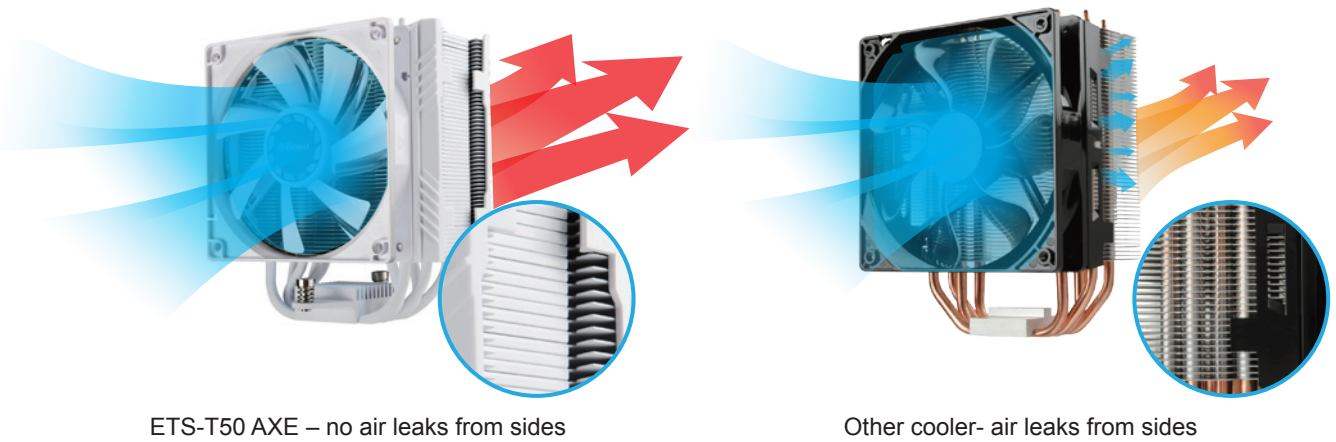


Patented DFR™ (Dust Free Rotation) technology* instantly blows away the dust to prolong the lifespan

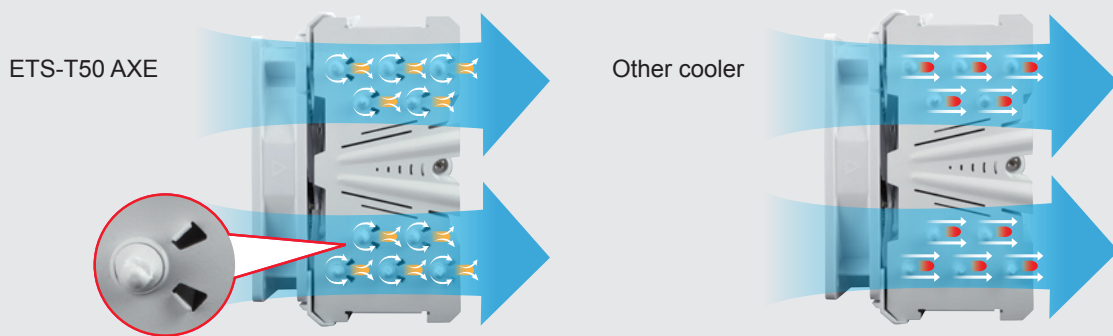


* Automatic LED self-testing will be activated during DFR mode

Unique air path creating high VEF (Vacuum Effect) to optimize the airflow



Patented VGF (Vortex Generation Flow) to increase air convection around the heat pipe



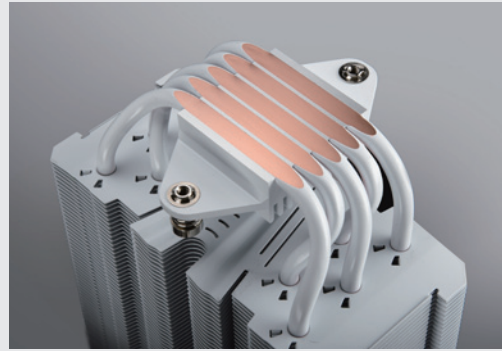
ENERMAX patented circular type LED fan with 5 lighting modes



* Quick Off : Press the LED control button for 3 seconds for "OFF" mode

* Memory Function : The design will save the last mode which has been chosen before shutting down the system

- ▼ HDT (Heat-pipe Direct Touch) technology to ensure rapid thermal conduction and eliminate CPU hot spots



- ▼ Gen. 2 TCC (Thermal Conductive Coating) creates better velocity of thermal transferring and prevents oxidation

- ▼ Dow Corning® TC-5121 (3g) thermal grease for perfect thermal conduction between CPU and the heat sink

Hardware secrets	
Uncomplicating the complicated	
Prolimatech Thermal Compound	32
Tuniq TX-3	32
Arctic Silver 5	33
Arctic Silver Ceramic	33
Enermax (Dow Corning-TC5121)	33
Thermalright Thermal Compound	33

Source: Hardware secrets(2011)
ENERMAX (Dow Corning-TC5121) compound performed wonderfully.



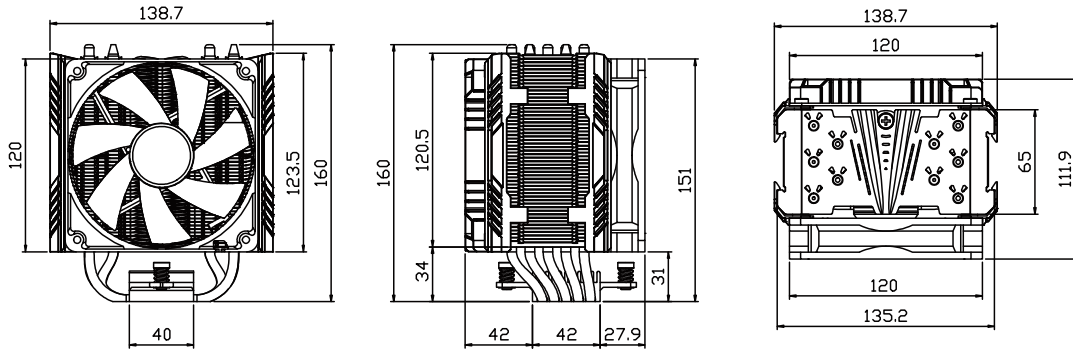
- ▼ Durable metal installation kits offer universal AMD & Intel desktop CPU compatibility with durable metal brackets

- ▼ “1-clip” fan bracket design for user-friendly installation



Dimension

unit:mm



Specifications

ETS-T50A-WVS

Compatible Socket	Intel® LGA 775/115X/1366/2011/2011-3, AMD®AM2/AM2+/AM3/AM3+/FM1/FM2/FM2+
Overall Dimension	138.7(L) x 111.9(W) x 160(H) mm
Heat Sink Dimension	135.2(L) x 65(W) x 160(H) mm
Weight	860g (w/ fan)
Heat Pipe	5 x Ø6 mm
Material	Copper Heat Pipes / Aluminum Fins
Thermal Grease	Dow Corning® TC-5121
Fan Dimension	120 x 120 x 25 mm
Fan Speed	800 - 1800 RPM
Air Flow	27.69 - 62.32 CFM / 47 - 105.8 m³/h
Static Pressure	0.38 - 1.93 mm-H ₂ O
Rated Voltage	12V
Bearing Type	Twister Bearing
MTBF	160,000 hours
Noise	18.9 - 25 dBA
LED	Circular Type 36 diodes LED with 5 lighting modes
LED Color	White
Connector	4 pin PWM connector
Shipping Information	
Barcode	EAN:4713157722362 / UPC:816163008599
Box Dimension	222 x 175 x 130 mm
Gross Weight / box	1390g
Carton Dimension	460 x 370 x 295 mm
Gross Weight / Carton	12.5kg (8 units per carton)