



2016 Manual B Series Product Brochure

Manual B series is an entry-level manual pull-down screen designed for today's various projection applications



Member
infoComm
INTERNATIONAL



Member



Manual B Series

Manual B series is an entry-level manual pull-down screen designed for today's various projection applications



Screen Material

- MaxWhite™ B screen material is durable and easy to clean
- 180° wide viewing angle for commercial presentations or residential home cinema
- 4K Ultra HD and Active 3D Ready
- Black backed screen material eliminates light penetration for superior color reproduction
- Standard 4-side black masking borders

Casing & Installation

- Dual wall and ceiling installation design
- Mounting Kit Included (Wood Screws x 2, Dry wall anchor x 2)
- Optional 6" and 12" L brackets available

Control System

- Auto-locking system at 2" intervals provides variable height settings
- Screen lanyard for easy operation included - allows screen's pull down handle to be reached from high areas

Warranty

- 2-year parts and labor manufacturer's warranty
- 3-year warranty for ENR-G (Educational, Non-profit, Religious or Government/Military) - US only



Manual B Series

Model	Screen Diag. & Aspect Ratio	View Height (in)	View Width (in)	View Height (cm)	View Width (cm)	Left/Right Black Border	N.W. (lbs.)	G.W. (lbs.)	N.W. (Kgs)	G.W. (Kgs)	Packaging Dimensions (LxHxW)	Gain	Screen Material	Case Color
M100S	100" (1:1)	71.0	71.0	180.3	180.3	1.1"	12.2	14.5	5.6	6.6	89" x 4.7" x 4.7"	1.0	MaxWhite™ B	White
M100V	100" (4:3)	60.0	80.0	152.4	203.2	1.1"	12.3	15.0	5.6	6.8	96" x 4.7" x 4.7"	1.0	MaxWhite™ B	White
M100H	100" (16:9)	49.0	87.0	124.5	221.0	1.1"	10.6	13.0	4.8	5.9	79.2" x 4.7" x 4.7"	1.0	MaxWhite™ B	White
M100X	100" (16:10)	53.0	84.5	134.6	214.6	1.1"	11.8	14.4	5.4	6.6	93.58" x 4.72" x 4.53"	1.0	MaxWhite™ B	White
M120V	120" (4:3)	72.0	96.0	182.9	243.8	1.5"	21.6	25.4	9.8	11.5	114.7" x 5.51" x 5.51"	1.0	MaxWhite™ B	White
M120H	120" (16:9)	58.8	104.6	149.4	265.7	1.5"	21.7	25.7	9.9	11.7	112" x 5.51" x 5.51"	1.0	MaxWhite™ B	White
M120X	120" (16:10)	63.6	101.8	161.5	258.4	1.5"	21.4	24.7	9.7	11.2	106.1" x 5.51" x 5.51"	1.0	MaxWhite™ B	White
M135H	135" (16:9)	66.2	117.2	168.1	267.7	1.5"	32.1	41.4	14.6	18.8	128" x 6.3" x 6"	1.0	MaxWhite™ B	White
M135V	135" (16:9)	81.0	108.0	205.7	274.3	1.5"	30.3	37.6	13.7	17.0	118" x 6.5" x 6.0"	1.0	MaxWhite™ B	White

Manual B Series Dimensions Table (100" & 120") R-Type

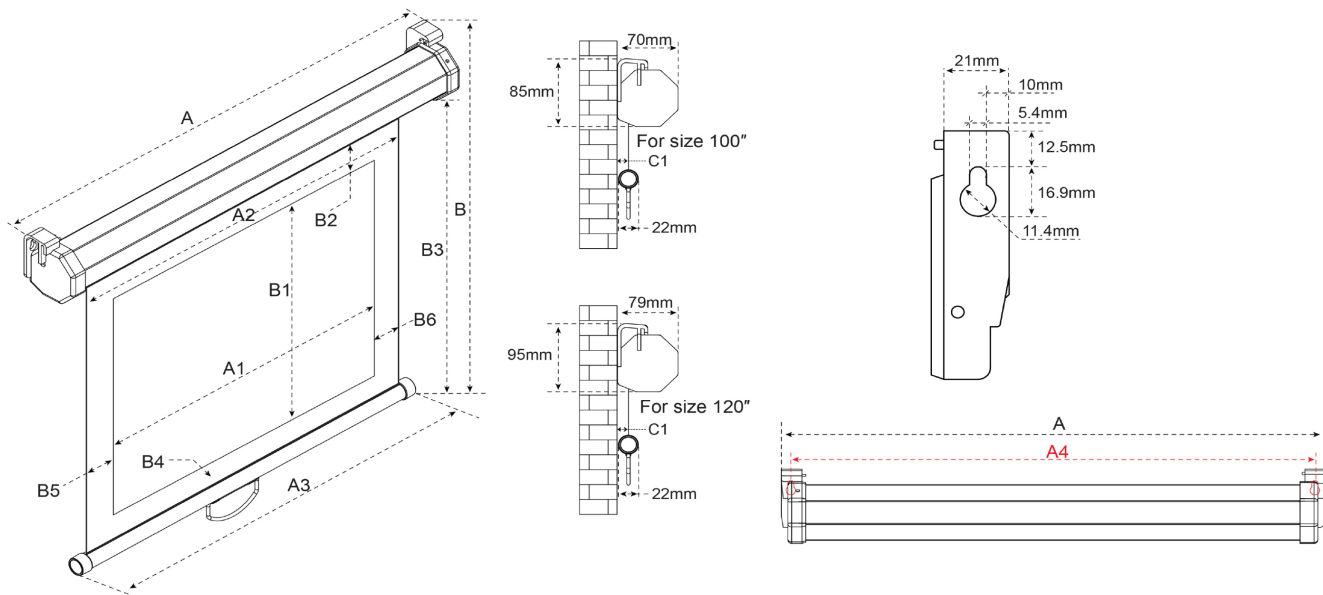
Model	Screen Diag. & Aspect Ratio	Case Length (A)	View Width (A1)	Screen Width (A2)	Weight bar length (A3)	Overall Height (B)	View Height (B1)	Top Border (B2)	B3	Bottom Border (B4)	Screw Hole Distance (A4)	L Border (B5)	R Border (B6)
M100S	100" (1:1)	1946	1791	1847	1925	2022	1791	76	1936	51	1915	28	28
M100V	100" (4:3)	2187	2032	2088	2169	1821	1524	142	1735	51	2159	28	28
M100H	100" (16:9)	2370	2215	2271	2350	1522	1245	119	1435	51	2339	28	28
M100X	100" (16:10)	2253	2210	2154	2235	1621	1346	119	1537	51	2225	28	28
M120V	120" (4:3)	2614	2438	2515	2593	2121	1829	114	2027	61	2583	38	38
M120H	120" (16:9)	2819	2659	2720	2799	2096	1501	450	2002	31	2789	31	31
M120X	120" (16:10)	2761	2586	2662	2741	1908	1615	114	1811	61	2731	38	38

Unit: mm

Model	Screen Diag. & Aspect Ratio	Case Length (A)	View Width (A1)	Screen Width (A2)	Weight bar length (A3)	Overall Height (B)	View Height (B1)	Top Border (B2)	B3	Bottom Border (B4)	Screw Hole Distance (A4)	L Border (B5)	R Border (B6)
M100S	100" (1:1)	76.6	70.5	72.7	75.8	79.6	70.5	3.0	76.2	2.0	75.4	1.1	1.1
M100V	100" (4:3)	86.1	80.0	82.2	85.4	71.7	60.0	5.6	68.3	2.0	85.0	1.1	1.1
M100H	100" (16:9)	93.3	87.2	89.4	92.5	59.9	49.0	4.7	56.5	2.0	92.1	1.1	1.1
M100X	100" (16:10)	88.7	87.0	84.8	88.0	63.8	53.0	4.7	60.5	2.0	87.6	1.1	1.1
M120V	120" (4:3)	102.9	96.0	99.0	102.1	83.5	72.0	4.5	79.8	2.4	101.7	1.5	1.5
M120H	120" (16:9)	111.0	104.7	107.1	110.2	82.5	59.1	17.7	78.8	1.2	109.8	1.2	1.2
M120X	120" (16:10)	108.7	101.8	104.8	107.9	75.1	63.6	4.5	71.3	2.4	107.5	1.5	1.5

Unit: inch

Note: Data Error ±1". The listed measurements are for general reference only. Please contact Elite Screens to verify product design and dimensions before attempting to integrate its products with any structural or furniture modification. Although a manufacturer may offer product advice, it may be taken or disregarded at the integrator's discretion. Elite Screens will not be held responsible or be otherwise liable for faulty installations.



Manual B Series Dimensions Table (135") R-Type

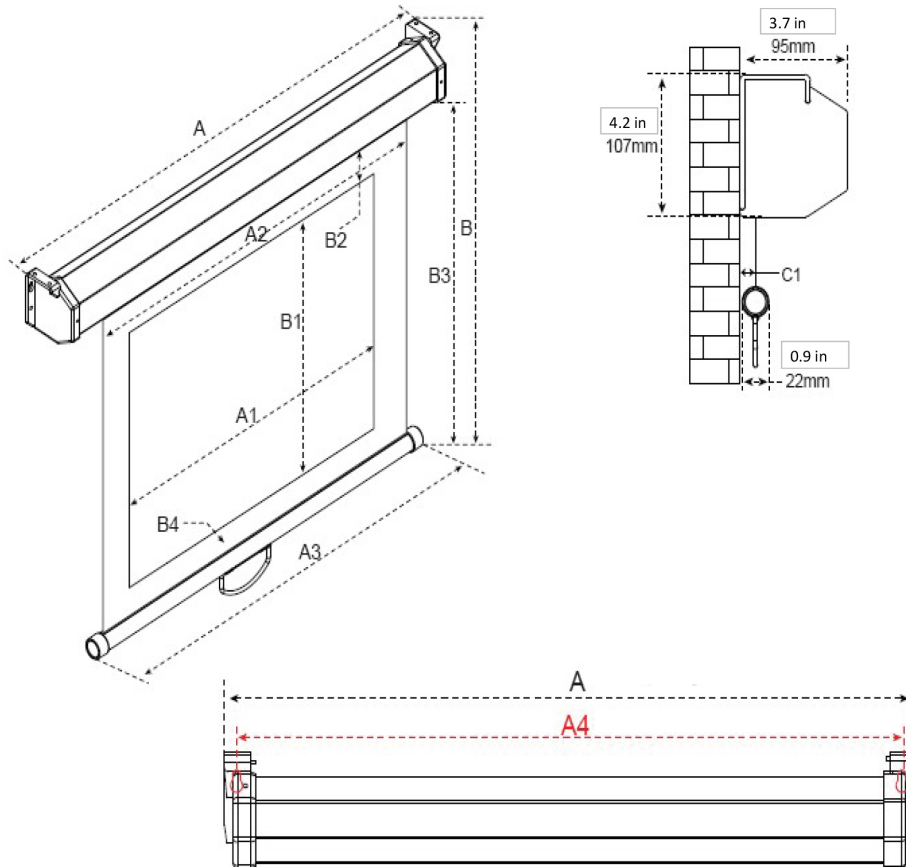
Model	Screen Diag. & Aspect Ratio	Case Length (A)	View Width (A1)	Screen Width (A2)	Weight bar length (A3)	Overall Height (B)	View Height (B1)	Top Border (B2)	B3	Bottom Border (B4)	Screw Hole Distance (A4)	L Border (B5)	R Border (B6)
M135H	135" (16:9)	3200	3000	3081	3160	2309	1689	450	2202	41	3150	41	41
M135V	135" (4:3)	2939	2741	2819	2901	2677	2060	450	2571	41	2891	41	41

Unit: mm

Model	Screen Diag. & Aspect Ratio	Case Length (A)	View Width (A1)	Screen Width (A2)	Weight bar length (A3)	Overall Height (B)	View Height (B1)	Top Border (B2)	B3	Bottom Border (B4)	Screw Hole Distance (A4)	L Border (B5)	R Border (B6)
M135H	135" (16:9)	126.0	118.1	121.3	124.4	90.9	66.5	17.7	86.7	1.6	124.0	1.6	1.6
M135V	135" (4:3)	115.7	107.9	111.0	114.2	105.4	81.1	17.7	101.2	1.6	113.8	1.6	1.6

Unit: inch

Note: Data Error ±1". The listed measurements are for general reference only. Please contact Elite Screens to verify product design and dimensions before attempting to integrate its products with any structural or furniture modification. Although a manufacturer may offer product advice, it may be taken or disregarded at the integrator's discretion. Elite Screens will not be held responsible or be otherwise liable for faulty installations.



Manual B Series Dimensions Table (100" & 120")

Model	Screen Diag. & Aspect Ratio	Case Length (A)	View Width (A1)	Screen Width (A2)	Weight bar length (A3)	Overall Height (B)	View Height (B1)	Top Border (B2)	B3	Bottom Border (B4)	Screen Material To Wall (C1)	L Border (B5)	R Border (B6)
M100S	100" (1:1)	1958	1791	1847	1923	2017	1791	74	1933	51	23	28	28
M100V	100" (4:3)	2195	2032	2088	2164	1819	1524	140	1732	51	23	28	28
M100H	100" (16:9)	2383	2215	2271	2347	1519	1245	119	1433	51	23	28	28
M100X	100" (16:10)	2324	2154	2210	2228	1618	1346	119	1534	51	23	28	28
M120V	120" (4:3)	2609	2438	2515	2588	2118	1826	114	2022	61	23	38	38
M120H	120" (16:9)	2817	2657	2733	2812	2096	1669	114	1763	61	23	38	38
M120X	120" (16:10)	2746	2581	2657	2736	1903	1613	114	1809	61	23	38	38

Unit: mm

Model	Screen Diag. & Aspect Ratio	Case Length (A)	View Width (A1)	Screen Width (A2)	Weight bar length (A3)	Overall Height (B)	View Height (B1)	Top Border (B2)	B3	Bottom Border (B4)	Screen Material To Wall (C1)	L Border (B5)	R Border (B6)
M100S	100" (1:1)	77.1	70.5	72.7	75.7	79.4	70.5	3.0	76.1	2.0	0.9	1.1	1.1
M100V	100" (4:3)	86.4	80.0	82.2	85.2	71.6	60.0	5.5	68.2	2.0	0.9	1.1	1.1
M100H	100" (16:9)	93.8	87.2	89.4	92.4	59.8	49.0	4.7	56.4	2.0	0.9	1.1	1.1
M100X	100" (16:10)	91.5	84.8	87.0	87.7	63.7	53.0	4.7	60.4	2.0	0.9	1.1	1.1
M120V	120" (4:3)	102.7	96.0	99.0	101.9	83.4	72.0	4.5	79.6	2.4	0.9	1.5	1.5
M120H	120" (16:9)	111.0	104.7	107.6	110.7	82.5	65.7	4.5	69.4	2.4	0.9	1.5	1.5
M120X	120" (16:10)	108.6	101.6	104.6	107.7	75.1	63.6	4.5	71.3	2.4	0.9	1.5	1.5

Unit: inch

Note: Data Error ±1". The listed measurements are for general reference only. Please contact Elite Screens to verify product design and dimensions before attempting to integrate its products with any structural or furniture modification. Although a manufacturer may offer product advice, it may be taken or disregarded at the integrator's discretion. Elite Screens will not be held responsible or be otherwise liable for faulty installations.

