

AMR1WSL

Sit-Stand Spring Arm Wall Mount Computer Workstation Combo System

This Amer wall mount workstation system provides a simple way to mount your keyboard, mouse and monitor all onto one flexible extension arm. This give you the ability to easily move your workstation into position where you need it and in the position it is needed, In addition to the ability to move side to side, the screen can be raised, lowered as well as rotated and tilted. When additional space is required, this sit stand workstation wall mount can be made compact by folding the keyboard tray providing the room needed for other important task.



Specifications

• General

Material:	• Steel/Plastic/Aluminum	Screw Type:	M4
Weight:	• 7.87kg (17.35lbs)	Dimension: (W*H*D)	• 935 x 496 x 300mm 36.81" x 19.53" x 11.81"
Tilt:(Hinge)	• -5° - 35°	Swivel:	• Max. +/-90° (Hinge)
Tilt:(Keyboard)	• 0° - 90°	Rotate(Pivot):	• 360° (Monitor Hinge)
Support Weight (Stand)	• 2-8kg (4.4-17.7lbs)	Support Flat Panel Size	• ≤32"
Support Weight (Keyboard)	• 2.5kg (5.5lbs)	Max.Working Space	• 449*207mm for keyboard
Compliant with VESA	• 100x100mm & 75x75mm	Extended Arm Provided	• 2
Height Adjustment Range(Stand/Arm)	• 124mm (4.88")		

• Warranty and Support

Warranty: 3 Years
 Support: Free technical support (phone/email)

www.amer.com / www.amermounts.com

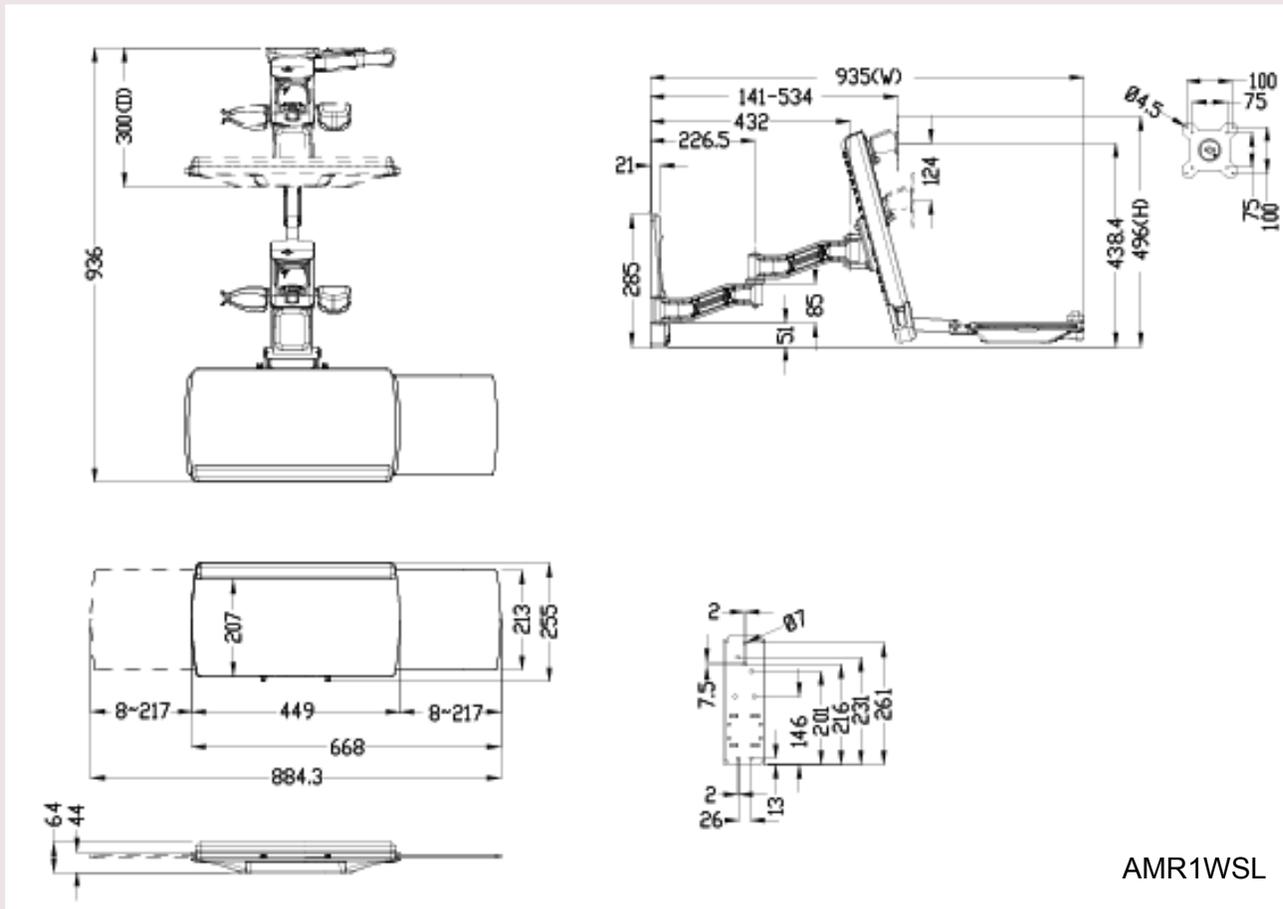
sales@amer.com
 1-800-262-9703

Specifications subject to change without notice. Errors and omissions excepted. All trademarks are properties of their respective owners.

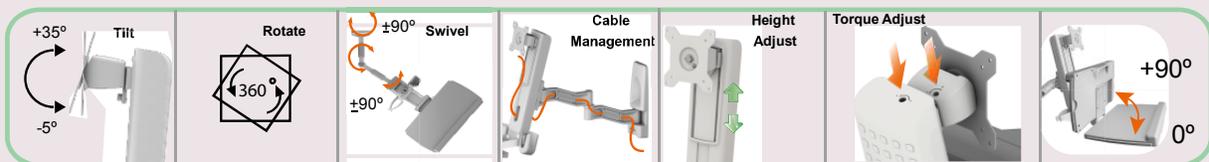
Revision 1.02

AMR1WSL

Sit-Stand Spring Arm Wall Mount Computer Workstation Combo System



AMR1WSL



www.amer.com / www.amermounts.com

sales@amer.com

1-800-262-9703

Specifications subject to change without notice. Errors and omissions excepted. All trademarks are properties of their respective owners.

Revision 1.02