

Technical Specification

Raritan PX
Model Number: PX3-5440V

200-240V
16A
3.2-3.8KVA



Line Drawing



Features

| | |
|-------------------------------------|--|
| Energy Metering | Voltage (V), Current (A), Active Power (kW), Real Power (kVA), Energy (kWh), Power Factor |
| Metering Accuracy | ISO/IEC 62053-21 1% |
| Metering per Input Line | Yes |
| Metering per Branch Circuit Breaker | Yes |
| Metering per Output Receptacle | Yes |
| Remote Outlet Switching | Yes |
| Environmental Sensor Ready | Yes |
| Networking | 10/100 BaseT Ethernet. Optional WiFi (802.11a/b/g/n) |
| Remote Management | HTTP(s); SSH; Telnet; RS-232 (Serial); Power IQ; SNMP version v2/v3; SMTP; JSON-RPC |
| Cascading | Yes Max 8 PDUs can be daisy chained using a single Ethernet connection |
| Onboard Display | User-selectable display (voltage, current, or active power: per line, per breaker, or per receptacle) |
| Compatible Sensors | Temperature, Humidity, Air Flow, Static Pressure Single cable connection provides temp/humidity monitoring at three points in cabinet (with a single sensor assembly) |
| Replaceable controller | Yes |

Input

| | | |
|-----------------------|---|--|
| Input Plug | IEC 60309 2P+E 6h 16A 2P3W (L1/N/E) IP44("splashproof") (230V, Single phase) | |
| Cord Length | 3 meters (9.84 feet) standard | |
| Cord Entry | Bottom-bottom feed | |
| Cable Type | 2P 3W | |
| Number of Power Cords | 1 | |
| Maximum Input Current | 16A (per line) | |
| Nominal Input Voltage | 230V, Single phase | |
| Rated Input Voltage | 200 - 240V, Single phase | |
| Input Frequency | 50/60Hz | |
| Power Capacity | 3.2kVA at 200V, 3.8kVA at 240V | |

Output

| | |
|------------------------|--|
| Nominal Output Voltage | 230V |
| Rated Output Voltage | 200 - 240V |
| Output Connections | (20) IEC 60320 C13 2-pole, 3-wire; 10A |
| Overload Protection | N/A |
| Cable Retention | Raritan SecureLock™ Ready Optional retention clips are also available |

Physical

| | |
|---------------------------------|---|
| Unit Dimensions (W x D x H) | 2.1" x 2.6" x 51.1" ; 52mm x 65mm x 1298mm |
| Shipping Dimensions (W x D x H) | 7.28" x 4.72" x 55.43" ; 185mm x 120mm x 1408mm |
| Color | Black powder coat |
| Mounting | G2-RACK-FOR-ZU |

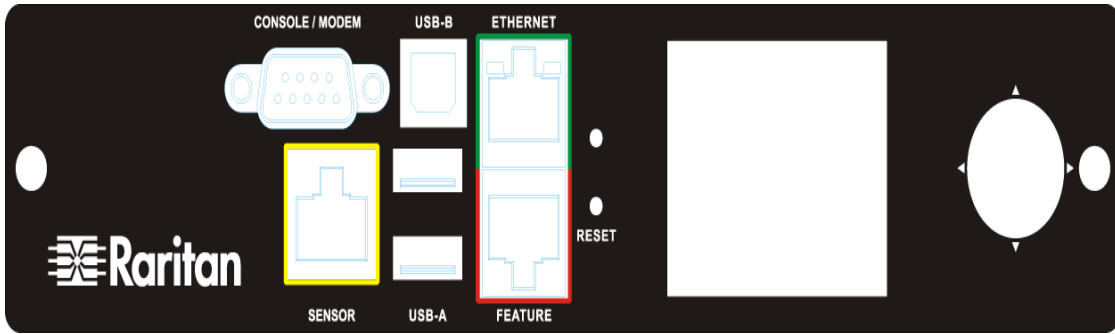
Environmental

| | |
|-----------------------------|-----------------------|
| Operating Environment | 5 - 60°C (41 - 140°F) |
| Operating Relative Humidity | 5-85% |
| Operating Elevation | 0-10000ft |

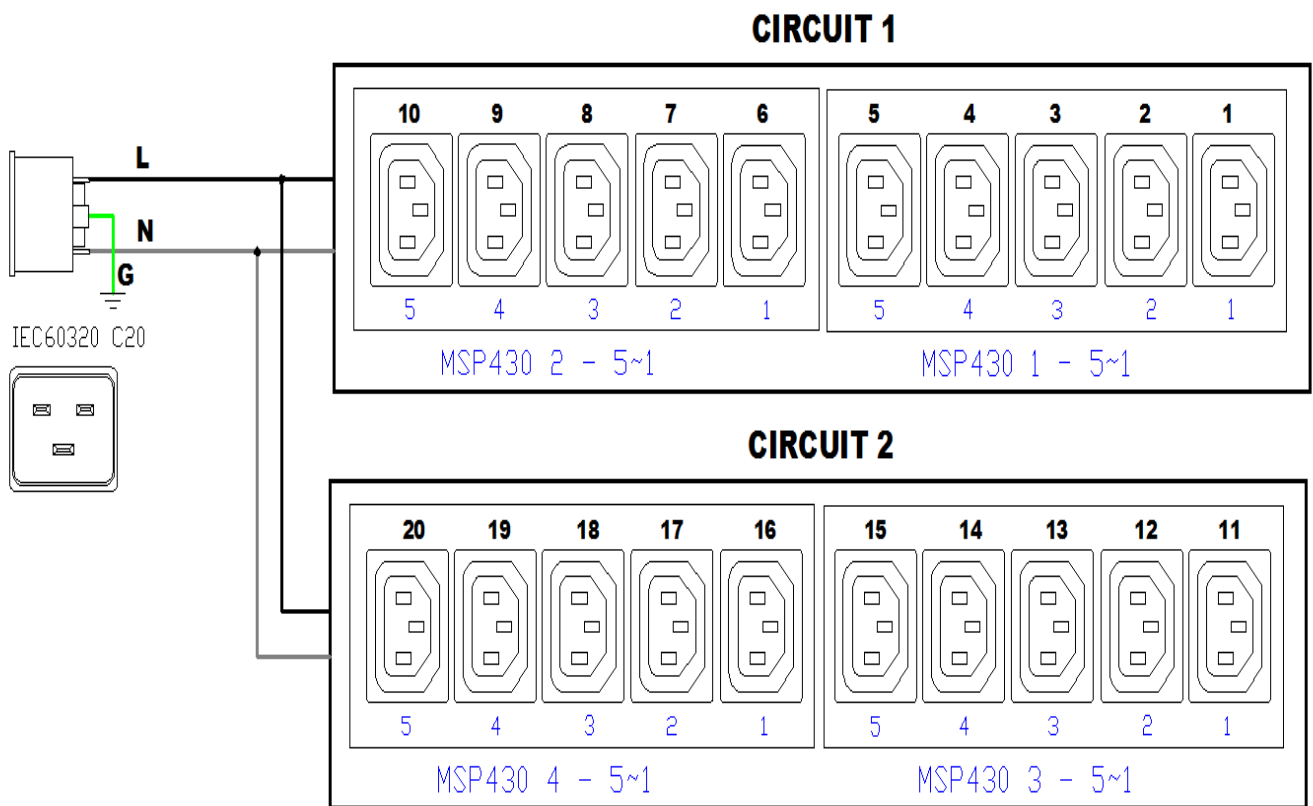
Conformance

| | |
|----------------------|--|
| Regulatory Approvals | CE Canada ICES-003, Class A Part 15 Class A of the FCC rules RoHS compliant |
|----------------------|--|

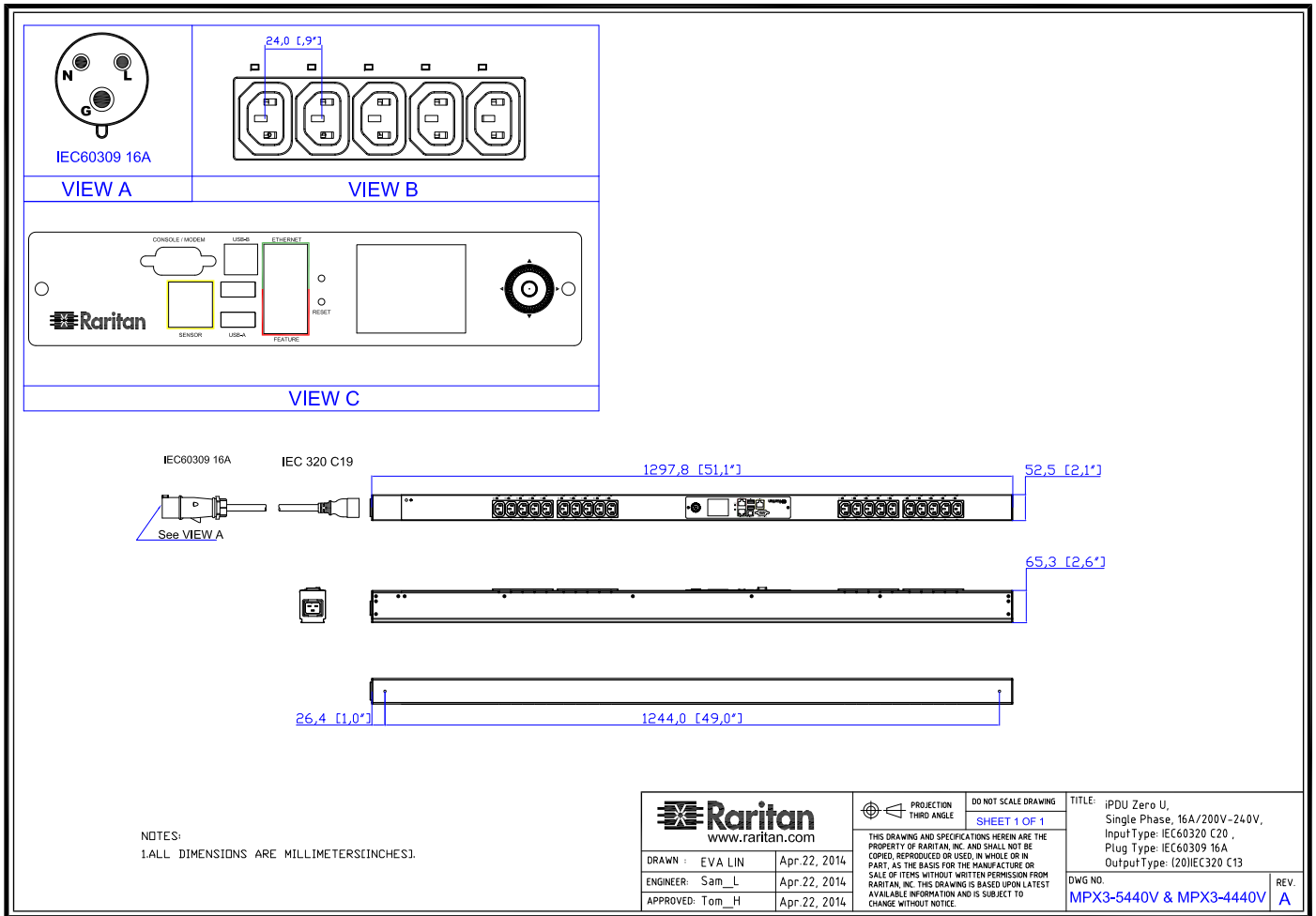
Control Panel Detail



Electrical Drawing Detail

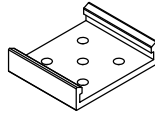
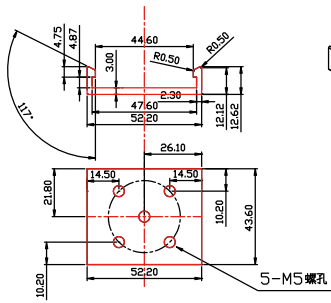


Mechanical Diagram



Mounting Diagram (G2-RACK-FOR-ZU)

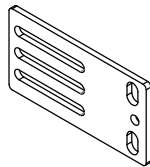
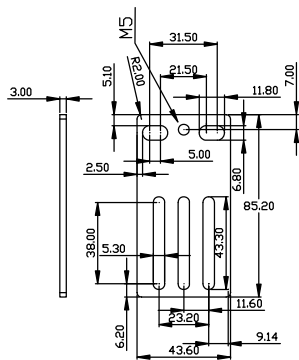
250-70-0104-00



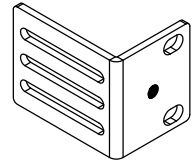
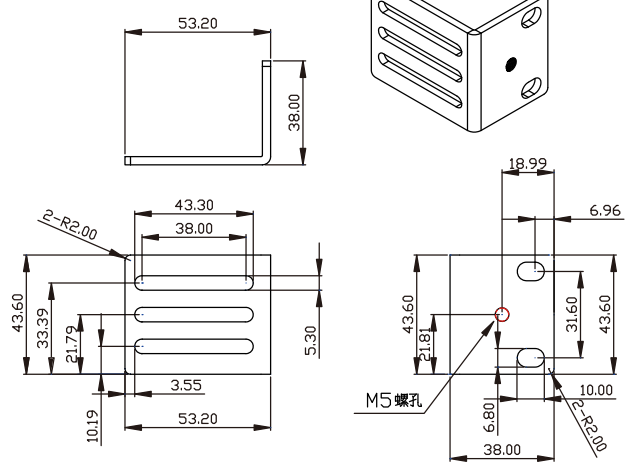
250-80-0011-00



250-70-0007-00



250-70-0093-00



Compatible Sensors

| | |
|----------------------|--|
| Environmental | DPX-T1 : single temperature node DPX-T2H2 : 2 nodes: each providing both temp + humidity DPX-T3H1 : 3 temperature nodes; one also with humidity DPX-TDP1 : temperature + differential air pressure DPX-AF1 : air flow sensor DPX-CC2-TR : Dual contact closure sensor |
|----------------------|--|

©2016 Raritan Inc. All rights reserved. Raritan®, Know More. Manage Smarter.TM, Dominion® and PX® are registered trademarks or trademarks of Raritan Inc. or its wholly owned subsidiaries. All others are registered trademarks or trademarks of their respective owners. For more information, please visit www.raritan.com