



Cisco UCS C220 M3 High-Density Rack Server (Small Form Factor Disk Drive Model)

OVERVIEW	5
DETAILED VIEWS	6
Chassis Front View	6
Chassis Rear View	7
BASE SERVER STANDARD CAPABILITIES and FEATURES	8
CONFIGURING the SERVER	11
STEP 1 VERIFY SERVER SKU	12
STEP 2 SELECT CPU(s)	13
STEP 3 SELECT MEMORY	16
STEP 4 SELECT RAID CONFIGURATION	22
STEP 5 SELECT HARD DISK DRIVES (HDDs) or SOLID STATE DRIVES (SSDs)	29
STEP 6 SELECT PCIe OPTION CARD(s)	32
STEP 7 ORDER OPTIONAL NETWORK CARD ACCESSORIES	35
STEP 8 ORDER POWER SUPPLY	40
STEP 9 SELECT AC POWER CORD(s)	41
STEP 10 ORDER OPTIONAL REVERSIBLE CABLE MANAGEMENT ARM	44
STEP 11 SELECT NIC MODE (OPTIONAL)	45
STEP 12 ORDER A TRUSTED PLATFORM MODULE (OPTIONAL)	46
STEP 13 ORDER CISCO FLEXIBLE FLASH SD CARD MODULE (OPTIONAL)	47
STEP 14 ORDER OPTIONAL USB 2.0 DRIVE	48
STEP 15 SELECT OPERATING SYSTEM AND VALUE-ADDED SOFTWARE	49
STEP 16 SELECT OPERATING SYSTEM MEDIA KIT	52
STEP 17 SELECT SERVICE and SUPPORT LEVEL	53
OPTIONAL STEP - ORDER RACK(s)	58
OPTIONAL STEP - ORDER PDU	59
SUPPLEMENTAL MATERIAL	60
CHASSIS	60
CPUs and DIMMs	61
Physical Layout	61
Memory Population Rules	63
DIMM Population Order	64
Recommended Memory Configuration	65
Additional DIMM Populations	68
Low-Voltage DIMM Considerations	69
RAID Details	70
RAID Option ROM (OPROM) Settings	71
Serial Port Details	72
Upgrade and Servicing-Related Parts	73
Drive Blanking Panels	74
Upgrading your Server from Intel Xeon E5-2600 to Intel Xeon E5-2600 v2 CPUs (or downgrading from Intel Xeon E5-2600 v2 to Intel Xeon E5-2600 CPUs)	74
Adding an Additional CPU (with CPU heat sink)	74
Motherboard Lithium Battery	74
CPU Removal and Installation (“pick n place”) Tool Set	75
Thermal Grease (with syringe applicator) for CPU to Heatsink Seal	75
Air Baffle Replacement Kit	75
CPU Heat Sink Cleaning Kit	76
RACKS	77
PDUs	79
KVM CABLE	80
Motherboard USB and SD Ports, and RAID Card Backup Location	81

CONTENTS

TECHNICAL SPECIFICATIONS 82

- Dimensions and Weight82
- Power Specifications82
- Environmental Specifications85
- Compliance Requirements86



OVERVIEW

The Cisco® UCS C220 M3 rack server is designed for performance and density over a wide range of business workloads from web serving to distributed database.

The enterprise-class UCS C220 M3 server extends the capabilities of Cisco's Unified Computing System portfolio in a 1U form factor with the addition of the Intel Xeon E5-2600 v2 and E5-2600 series processor family CPUs that deliver significant performance and efficiency gains. In addition, the UCS C220 M3 server provides 16 DIMM slots, up to 8 drives and 2 x 1 GbE LAN-on-motherboard (LOM) ports delivering outstanding levels of density and performance in a compact 1U package.

Figure 1 Cisco UCS C220 M3 High-Density SFF Rack Server

Front View



Rear View

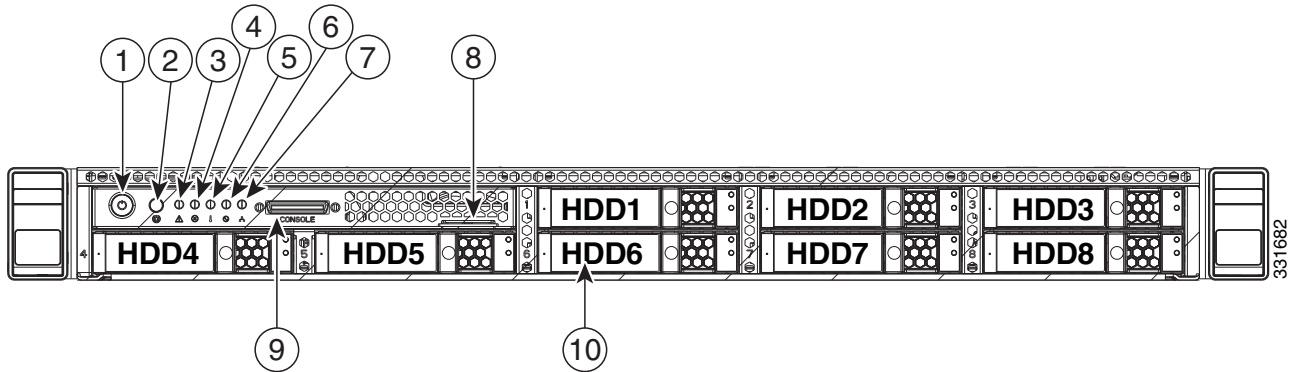


DETAILED VIEWS

Chassis Front View

Figure 2 shows the Cisco UCS C220 M3 High-Density SFF Rack Server.

Figure 2 Chassis Front View



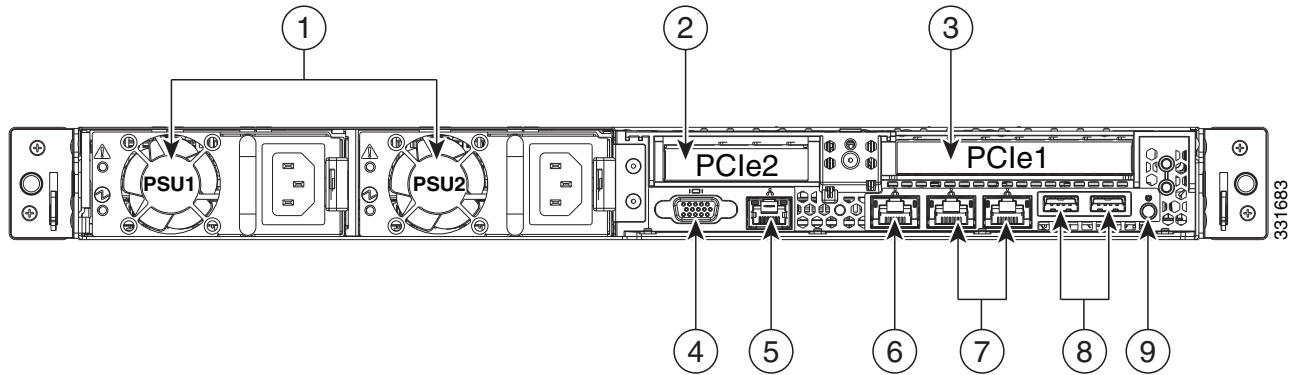
1	Power button/power status LED	6	Power supply status LED
2	Identification button/LED	7	Network link activity LED
3	System status LED	8	Asset tag (serial number)
4	Fan status LED	9	KVM connector (used with KVM cable that provides two USB, one VGA, and one serial connector)
5	Temperature status LED	10	Drives (up to eight hot-swappable 2-5-inch drives)

For more information about the KVM cable connection, see [KVM CABLE, page 80](#).

Chassis Rear View

Figure 3 shows the external features of the rear panel.

Figure 3 Chassis Rear View



1	Power supplies (up to two)	6	One 10/100/1000 Ethernet dedicated management port
2	Slot 2: Low-profile PCIe slot on riser: (half-height, half-length, x16 connector, x8 lane width)	7	Dual 1-GbE ports (LAN1 and LAN2)
3	Slot 1: Standard-profile PCIe slot on riser: (full-height, half-length, x24 connector, x16 lane width) (supports Cisco Virtual Interface Card (VIC))	8	USB ports
4	VGA video connector	9	Rear Identification button/LED
5	Serial port (RJ-45 connector) ^a	—	—

Notes . . .

- a. For details of the serial port pinout, see [Serial Port Details, page 72](#).

BASE SERVER STANDARD CAPABILITIES and FEATURES

Table 1 lists the capabilities and features of the base server. Details about how to configure the server for a particular feature or capability (for example, number of processors, disk drives, or amount of memory) are provided in *CONFIGURING the SERVER, page 11*.

Table 1 Capabilities and Features

Capability/Feature	Description
Chassis	One rack unit (1RU) chassis
CPU	One or two Intel® Xeon E5-2600 v2 or E5-2600 series processor family CPUs
Chipset	Intel® C600 series chipset
Memory	16 slots for registered or unbuffered ECC DIMMs (RDIMMs or UDIMMs) or load-reduced DIMMs (LRDIMMs)
Multi-bit Error Protection	This server supports multi-bit error protection.
NIC	Embedded dual-port Intel i350 PCIe-based Gigabit Ethernet controller, supporting the following: <ul style="list-style-type: none"> ■ Pre-Execution Boot (PXE boot) ■ iSCSI boot ■ Checksum and segmentation offload ■ NIC teaming
Expansion slots	Two PCIe slots (on a riser card) <ul style="list-style-type: none"> ■ One full-height profile, half-length slot with x24 connector and x16 lane ■ One half-height profile, half-length slot with x16 connector and x8 lane
Internal storage devices	Drives are installed into front-panel drive bays that provide hot-pluggable access. <ul style="list-style-type: none"> ■ Small Form Factor (SFF) drives. Up to eight 2.5-inch SAS or SATA hot-swappable hard disk drives (HDDs) or solid state drives (SSDs) ■ The server also contains one internal USB 2.0 port on the motherboard that you can use with a USB thumb drive for additional storage ■ UCS Storage Accelerator are also available. These PCIe flash storage devices provide independent high-speed storage.
Cisco Flexible Flash drives	The server supports up to two internal 32 GB Cisco Flexible Flash drives (SD cards). The second SD card is blank and can be used to mirror the first SD card. It can be used to protect the Hypervisor Partition with RAID1.

Capability/Feature	Description
Video	<p>The Cisco Integrated Management Controller (CIMC) provides video using the Matrox G200e video/graphics controller:</p> <ul style="list-style-type: none"> ■ Integrated 2D graphics core with hardware acceleration ■ DDR2/3 memory interface supports up to 512 MB of addressable memory (8 MB is allocated by default to video memory) ■ Supports display resolutions up to 1920 x 1200 16bpp @ 60Hz ■ High-speed integrated 24-bit RAMDAC ■ Single lane PCI-Express host interface running at Gen 1 speed
Storage controller	<ul style="list-style-type: none"> ■ Embedded RAID (3 Gbs) <ul style="list-style-type: none"> • Embedded SATA-only RAID controller, supporting up to 4 SATA-only drives (RAID 0, 1, 10), or • ROM5 embedded RAID upgrade, supporting up to 8 SAS+SATA drives (RAID 0, 1, 10), or • ROM55 embedded RAID upgrade, supporting up to 8 SAS+SATA drives (RAID 0, 1, 5, 10). ■ 2008M-8i Mezzanine Cards (6 Gbs) - two versions <ul style="list-style-type: none"> • Cisco UCSC RAID SAS 2008M-8i Mezzanine Card, supporting up to 8 SAS+SATA drives supporting RAID 0, 1, 5, 10, 50, and JBOD. SAS and SATA drives can be mixed. This card has a product ID (PID) of UCSC-RAID-11-C220. • Cisco UCSC RAID SAS 2008M-8i Mezzanine Card, supporting up to eight SAS/SATA drives supporting RAID 0, 1, 10, and JBOD. This card has a product ID (PID) of UCSC-RAID-MZ-220 ■ PCIe RAID controllers (6 Gbs) <ul style="list-style-type: none"> • LSI MegaRAID SAS 9271-8i or 9271CV-8i RAID 8-port PCIe RAID controllers with on-board 1 GB data cache and chassis-mounted (remote) supercap for data cache power backup (supercap not present on 9271-8i), supporting RAID levels 0, 1, 5, 6, 10, 50, 60 and up to eight internal SAS+SATA drives. • LSI MegaRAID 9285CV-8e or 9286CV-8e PCIe RAID controllers with on-board 1 GB cache and chassis-mounted (remote) supercap for data cache power backup, supporting RAID levels 0, 1, 5, 6, 10, 50, 60. Supports 8 external SAS ports (up to 240 external drives).

Capability/Feature	Description
Interfaces	<ul style="list-style-type: none"> ■ Rear panel <ul style="list-style-type: none"> • One RJ45 serial port connector • Two USB 2.0 port connectors • One DB15 VGA connector • Two RJ-45 10/100/1000 Ethernet port connectors • One RJ-45 10/100/1000 Ethernet management port, using Cisco Integrated Management Controller (CIMC) firmware ■ Various PCIe card ports (dependent on which cards are installed) <ul style="list-style-type: none"> • Converged Network Adapter (CNA) ports • Network Interface Card (NIC) ports • Host Bus Adapter (HBA) ports ■ Front panel <ul style="list-style-type: none"> • One KVM console connector (supplies two USB, one VGA, and one serial connector)
WoL	The 1-Gb Base-T Ethernet LAN ports support the wake-on-LAN (WoL) standard.
InfiniBand	The bus slots in this server support the InfiniBand architecture.
Front Panel	A front panel controller provides status indications and control buttons
Power subsystem	Up to two 450 W (AC) , 650 W, (AC), or 930 W (DC) power supplies. One is mandatory; one more can be added for 1 + 1 redundancy.
ACPI	This server supports the advanced configuration and power interface (ACPI) 4.0 standard.
Fans	<p>Chassis:</p> <ul style="list-style-type: none"> ■ Five hot-swappable fans for front-to-rear cooling <p>Power supply:</p> <ul style="list-style-type: none"> ■ Each power supply is equipped with a fan.
Integrated management processor	<p>BMC running Cisco Integrated Management Controller (CIMC) firmware.</p> <p>Depending on your CIMC settings, the CIMC can be accessed through the 1-GbE dedicated management port, the 1-GbE LOM ports, or a Cisco virtual interface card (VIC).</p>

CONFIGURING the SERVER

Follow these steps to configure the Cisco UCS C220 M3 High-Density SFF Rack Server:

- *STEP 1 VERIFY SERVER SKU, page 12*
- *STEP 2 SELECT CPU(s), page 13*
- *STEP 3 SELECT MEMORY, page 16*
- *STEP 4 SELECT RAID CONFIGURATION, page 22*
- *STEP 5 SELECT HARD DISK DRIVES (HDDs) or SOLID STATE DRIVES (SSDs), page 29*
- *STEP 6 SELECT PCIe OPTION CARD(s), page 32*
- *STEP 7 ORDER OPTIONAL NETWORK CARD ACCESSORIES, page 35*
- *STEP 8 ORDER POWER SUPPLY, page 40*
- *STEP 9 SELECT AC POWER CORD(s), page 41*
- *STEP 10 ORDER OPTIONAL REVERSIBLE CABLE MANAGEMENT ARM, page 44*
- *STEP 11 SELECT NIC MODE (OPTIONAL), page 45*
- *STEP 12 ORDER A TRUSTED PLATFORM MODULE (OPTIONAL), page 46*
- *STEP 13 ORDER CISCO FLEXIBLE FLASH SD CARD MODULE (OPTIONAL), page 47*
- *STEP 14 ORDER OPTIONAL USB 2.0 DRIVE, page 48*
- *STEP 15 SELECT OPERATING SYSTEM AND VALUE-ADDED SOFTWARE, page 49*
- *STEP 16 SELECT OPERATING SYSTEM MEDIA KIT, page 52*
- *STEP 17 SELECT SERVICE and SUPPORT LEVEL, page 53*
- *OPTIONAL STEP - ORDER RACK(s), page 58*
- *OPTIONAL STEP - ORDER PDU, page 59*

STEP 1 VERIFY SERVER SKU

Verify the product ID (PID) of the server as shown in [Table 2](#).

Table 2 PID of the C220 M3 High-Density SFF Rack Base Server

Product ID (PID)	Description
UCSC-C220-M3S	UCS C220 M3 SFF, no CPU, memory, HDD, SDD, power supply, SD cards, or PCIe cards, with 1 rail kit

The Cisco C220 M3 server:

- Includes one tool-less rail kit (UCSC-RAIL1)
- Does not include power supply, CPU, memory, hard disk drives (HDDs), solid-state drives (SSDs), SD cards, or plug-in PCIe cards.



NOTE: Use the steps on the following pages to configure the server with the components that you want to include.

STEP 2 SELECT CPU(s)

The standard CPU features are:

- Intel Xeon E5-2600 v2 and E5-2600 series processor family CPUs (see the following link for instructions on how to upgrade your server from Intel Xeon E5-2600 to Intel Xeon E5-2600 v2 CPUs:
http://preview.cisco.com/en/US/docs/unified_computing/ucs/c/CPU/IVB/install/IVB-C.html)
- Intel C600 series chipset
- Cache size of up to 30 MB

Select CPUs

The available CPUs are listed in *Table 3*.

Table 3 Available Intel CPUs: E5-2600 and E5-2600 v2 Series Processor Family CPUs

Product ID (PID)	Intel Number	Clock Freq (GHz)	Power (W)	Cache Size (MB)	Cores	QPI	Highest DDR3 DIMM Clock Support (MHz) ^a
Intel Xeon E5-2600 v2							
UCS-CPU-E52697B	E5-2697 v2	2.70	130	30	12	8 GT/s	1866
UCS-CPU-E52695B	E5-2695 v2	2.40	115	30	12	8 GT/s	1866
UCS-CPU-E52690B	E5-2690 v2	3.00	130	25	10	8 GT/s	1866
UCS-CPU-E52680B	E5-2680 v2	2.80	115	25	10	8 GT/s	1866
UCS-CPU-E52670B	E5-2670 v2	2.50	115	25	10	8 GT/s	1866
UCS-CPU-E52667B	E5-2667 v2	3.30	130	25	8	8 GT/s	1866
UCS-CPU-E52660B	E5-2660 v2	2.20	95	25	10	8 GT/s	1866
UCS-CPU-E52650B	E5-2650 v2	2.60	95	20	8	8 GT/s	1866
UCS-CPU-E52640B	E5-2640 v2	2.00	95	20	8	8 GT/s	1600
UCS-CPU-E52637B	E5-2637 v2	3.50	130	15	4	8 GT/s	1866
UCS-CPU-E52630B	E5-2630 v2	2.60	80	15	6	8 GT/s	1600
UCS-CPU-E52620B	E5-2620 v2	2.10	80	15	6	8 GT/s	1600
UCS-CPU-E52643B	E5-2643 v2	3.50	130	25	6	8 GT/s	1866
UCS-CPU-E52650LB	E5-2650L v2	1.70	70	25	10	8 GT/s	1600
UCS-CPU-E52630LB	E5-2630L v2	2.40	60	15	6	8 GT/s	1600
UCS-CPU-E52609B	E5-2609 v2	2.50	80	10	4	6.4 GT/s	1333

Table 3 Available Intel CPUs: E5-2600 and E5-2600 v2 Series Processor Family CPUs (*continued*)

Product ID (PID)	Intel Number	Clock Freq (GHz)	Power (W)	Cache Size (MB)	Cores	QPI	Highest DDR3 DIMM Clock Support (MHz) ^a
Intel Xeon E5-2600							
UCS-CPU-E5-2690	E5-2690	2.90	135	20	8	8 GT/s	1600
UCS-CPU-E5-2680	E5-2680	2.70	130	20	8	8 GT/s	1600
UCS-CPU-E5-2670	E5-2670	2.60	115	20	8	8 GT/s	1600
UCS-CPU-E5-2667	E5-2667	2.90	130	15	6	8 GT/s	1600
UCS-CPU-E5-2665	E5-2665	2.40	115	20	8	8 GT/s	1600
UCS-CPU-E5-2660	E5-2660	2.20	95	20	8	8 GT/s	1600
UCS-CPU-E5-2650	E5-2650	2.00	95	20	8	8 GT/s	1600
UCS-CPU-E5-2650L	E5-2650L	1.80	70	20	8	8 GT/s	1600
UCS-CPU-E5-2643	E5-2643	3.30	130	10	4	8 GT/s	1600
UCS-CPU-E5-2640	E5-2640	2.50	95	15	6	7.2 GT/s	1333
UCS-CPU-E5-2630	E5-2630	2.30	95	15	6	7.2 GT/s	1333
UCS-CPU-E5-2630L	E5-2630L	2.00	60	15	6	7.2 GT/s	1333
UCS-CPU-E5-2620	E5-2620	2.00	95	15	6	7.2 GT/s	1333
UCS-CPU-E5-2609	E5-2609	2.40	80	10	4	6.4 GT/s	1066

Notes . . .

- a. If higher or lower speed DIMMs are selected than what is shown in the table for a given CPU, the DIMMs will be clocked at the lowest common denominator of CPU clock and DIMM clock.

Approved Configurations

(1) 1-CPU configurations:

- Select any one CPU listed in [Table 3](#).

(2) 2-CPU Configurations:

- Select two identical CPUs from any one of the rows of [Table 3 on page 13](#).

Caveats

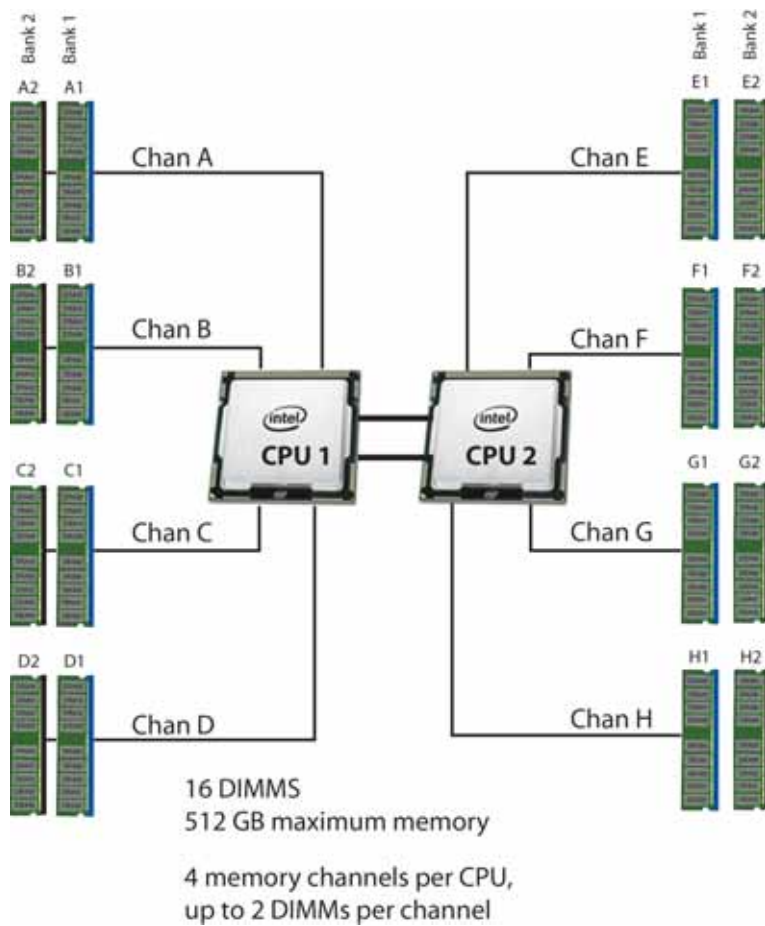
- You can select either one processor or two identical processors.
- For optimal performance, select DIMMs with the highest clock speed for a given processor (see [Table 3 on page 13](#)). If you select DIMMs whose speeds are lower or higher than that shown in the tables, suboptimal performance will result.
- For configurations that use 130 W or 135 W CPUs, the minimum power supply required is 650 W (UCSC-PSU-650W). See [STEP 8 ORDER POWER SUPPLY, page 40](#).

STEP 3 SELECT MEMORY

The standard memory features are:

- DIMMs
 - Clock speed: 1866, 1600, or 1333 MHz
 - Ranks per DIMM: 1, 2, or 4
 - Operational voltage: 1.5 V or 1.35 V
 - Registered or unbuffered ECC DDR3 DIMMs (RDIMMs or UDIMMs) or load-reduced DIMMs (LRDIMMs)
- Memory is organized with four memory channels per CPU, with up to two DIMMs per channel, as shown in *Figure 4*.

Figure 4 C220 M3 SFF Memory Organization



Select DIMMs and Memory Mirroring

Select the memory configuration and whether or not you want the memory mirroring option. The available memory DIMMs and mirroring option are listed in [Table 4](#).



NOTE: When memory mirroring is enabled, the memory subsystem simultaneously writes identical data to two channels. If a memory read from one of the channels returns incorrect data due to an uncorrectable memory error, the system automatically retrieves the data from the other channel. A transient or soft error in one channel does not affect the mirrored data, and operation continues unless there is a simultaneous error in exactly the same location on a DIMM and its mirrored DIMM. Memory mirroring reduces the amount of memory available to the operating system by 50% because only one of the two populated channels provides data.

Table 4 Available DDR3 DIMMs

Product ID (PID)	PID Description	Voltage	Ranks /DIMM
DIMM Options			
UCS-ML-1X324RY-A	32 GB DDR3-1600-MHz LR DIMM/PC3-12800/4R/x4/1.35v	1.5/1.35 V ^a	4
UCS-ML-1X324RZ-A	32 GB DDR3-1866-MHz LR DIMM/PC3-14900/4R/4x/1.5v	1.5 V	4
UCS-MR-1X162RY-A	16 GB DDR3-1600-MHz RDIMM/PC3-12800/2R/x4/1.35v	1.5/1.35 V ¹	2
UCS-MR-1X162RZ-A	16 GB DDR3-1866-MHz RDIMM PC3-14900/2R/x4/	1.5 V	2
UCS-MR-1X082RY-A	8 GB DDR3-1600-MHz RDIMM/PC3-12800/2R/x4/1.35v	1.5/1.35 V ¹	2
UCS-MR-1X082RX-A ^b	8 GB DDR3-1333-MHz RDIMM/PC3-10600/2R/x4/1.35v	1.5/1.35 V ¹	2
UCS-MR-1X082RZ-A	8 GB DDR3-1866-MHz RDIMM/PC3-14900/2R/x4/	1.5 V	2
UCS-MR-1X041RY-A	4 GB DDR3-1600-MHz RDIMM/PC3-12800/1R/x4/1.35v	1.5/1.35 V ¹	1
UCS-MR-1X041RX-A ²	4 GB DDR3-1333-MHz RDIMM/PC3-10600/1R/x4/1.35v	1.35 V	1
UCS-MU-1X042RE-A ²	4 GB DDR3-1600-MHz ECC UDIMM/PC3-12800/2R/x8/1.35v	1.35 V	2
Memory Mirroring Option			
N01-MMIRROR	Memory mirroring option		

Notes . . .

- a. Dual voltage DIMM (operates at 1.5 V with BIOS is set for memory performance mode (default), or 1.35 V when BIOS is set for power-savings mode).
- b. No longer shipping as of November, 2013

Approved Configurations

(1) 1-CPU configuration without memory mirroring:

- Select from 1 to 8 DIMMs. Refer to *Memory Population Rules, page 63*, for more detailed information.

(2) 1-CPU configuration with memory mirroring:

- Select 2, 4, 6, or 8 identical DIMMs. The DIMMs will be placed by the factory as shown in the following table.

Total Number of DIMMs	CPU 1 DIMM Placement in Channels (for <u>identical</u> DIMMs)	
	Blue Slots	Black Slots
2	(A1, B1)	—
4	(A1,B1); (C1,D1)	—
6 ^a	(A1,B1, C1)	(A2, B2, C2)
8	(A1,B1); (C1,D1)	(A2,B2); (C2,D2)

Notes . . .

- a. Not recommended (for performance reasons)

- Select the memory mirroring option (N01-MMIRROR) as shown in *Table 4 on page 17*.

(3) 2-CPU configuration without memory mirroring:

- Select from 1 to 8 DIMMs per CPU. Refer to *Memory Population Rules, page 63*, for more detailed information.

(4) 2-CPU configuration with memory mirroring:

- Select 2, 4, 6, or 8 identical DIMMs per CPU. The DIMMs will be placed by the factory as shown in the following table.

Number of DIMMs per CPU	CPU 1 DIMM Placement in Channels (for <u>identical dual-rank</u> DIMMs)		CPU 2 DIMM Placement in Channels (for <u>identical dual-rank</u> DIMMs)	
	Blue Slots	Black Slots	Blue Slots	Black Slots
2	(A1, B1)	—	(E1, F1)	—
4	(A1,B1); (C1,D1)	—	(E1,F1); (G1,H1)	—
6 ^a	(A1,B1, C1);	(A2, B2, C2)	(E1,F1, G1);	(E2, F2, G2)
8	(A1,B1); (C1,D1)	(A2,B2); (C2,D2)	(E1,F1); (G1,H1)	(E2,F2); (G2,H2)

Notes . . .

- a. Not recommended (for performance reasons)

- Select the memory mirroring option (N01-MMIRROR) as shown in [Table 4 on page 17](#).



NOTE: System performance is optimized when the DIMM type and quantity are equal for both CPUs, and when all channels are filled equally across the CPUs in the server.

Caveats

- System speed is dependent on how many DIMMs are populated per channel. See [Table 5](#) for details.

Table 5 DIMM Memory Speeds

DIMM Speed	DPC	1333-MHz Capable CPU				1600-MHz Capable CPU				1866-MHz Capable CPU			
		LRDIMM		RDIMM (DR, SR)		LRDIMM		RDIMM (DR, SR)		LRDIMM		RDIMM (DR, SR)	
		Voltage		Voltage		Voltage		Voltage		Voltage		Voltage	
		1.3 V	1.5 V	1.3 V	1.5 V	1.3 V	1.5 V	1.3 V	1.5 V	1.3 V	1.5 V	1.3 V	1.5 V
1333 DIMM	1DPC	1333	1333	1333	1333	1333	1333	1333	1333	1333	1333	1333	1333
	2DPC	1333	1333	1333	1333	1333	1333	1333	1333	1333	1333	1333	1333
1600 DIMM	1DPC	1333	1333	1333	1333	1600 ^a	1600 ¹	1333	1600	1600 ²	1600 ¹	1333	1600
	2DPC	1333	1333	1333	1333	1600 ¹	1600 ¹	1333	1600	1600 ²	1600 ¹	1333	1600
1866 DIMM	1DPC	NA ^b	1333	NA ³	1333	NA ³	1600	NA ³	1600	NA ³	1866	NA ³	1866
	2DPC	NA ³	1333	NA ³	1333	NA ³	1600	NA ³	1600	NA ³	1866	NA ³	1866

Notes . . .

- a. These DIMMs operate at 1333 MHz instead of 1600 MHz when used with any E5-2600 CPUs. They operate at 1600 MHz when used with E5-2600 v2 CPUs that support 1600- and 1866-MHz speeds.
- b. NA = not applicable

- For optimum performance, do not mix DIMMs with different frequencies. If you mix DIMM frequencies, the system defaults to the lower frequency.
- Do not mix RDIMMs, LRDIMMs, or UDIMMs
- DIMMs for CPU 1 and CPU 2 (when populated) must always be configured identically.
- The server supports 1 or 2 DIMMs per channel for single- or dual-rank RDIMMs.
- The server supports 1 or 2 DIMMs per channel for quad-rank LRDIMMs.
- When using mirroring, DIMMs must be installed in identical pairs across paired DDR3 buses. That is, mirrored pairs in channels A and B must be identical and pairs in channels C and D must be identical. However, the DIMMs used in channels A and B and in C and D can be different.
- Non-ECC DIMMs are not supported.
- Memory mirroring reduces the amount of available memory by 50% (quantity of DIMMs must be even for mirroring).
- When single- and dual-rank DIMMs are populated for 2DPC, always populate the dual rank DIMM in the blue DIMM slot, and the single-rank DIMM in the black DIMM slot (only the 4GB DIMMs are single-rank).

- By default, starting with UCSM 2.0.4, DIMMs run in memory performance mode (1.5v) by BIOS default, which yields faster memory speeds than when the BIOS is set for the memory to run in power-savings mode. Memory speed is dependent on factors such as:
 - CPU choice
 - DIMM choice
 - DIMM population (how many DIMMs per channel are populated)
 - BIOS setting.

For the DIMMs to run in power-savings mode (1.35 V, if the DIMM supports this), change the BIOS setting to power-savings mode.

For more information regarding memory, see [CPUs and DIMMs, page 61](#).

STEP 4 SELECT RAID CONFIGURATION



NOTE: If you do not select a mezzanine card, a PCIe RAID controller, or one of the embedded RAID upgrade options, you will have an embedded SATA-only RAID controller that supports up to four SATA-only drives (RAID 0, 1, 10)



NOTE: When creating a RAID volume, follow these guidelines:

- Use the same capacity for each drive in the volume
- Use either all SAS drives or all SATA drives
- Use either all HDDs or all SSDs



NOTE: The number of RAID groups (virtual drives) supported per controller is as follows:

- Embedded RAID = 8
- LSI MegaRAID 9271-8i, or 9271CV-8i RAID controller card = 64
- LSI MegaRAID 9285CV-8e, or 9286CV-8e RAID controller card = 64
- Cisco UCSC RAID SAS 2008M-8i Mezzanine Card = 16

The RAID controller choices are:

(1) Embedded RAID (on motherboard)



NOTE: The RAID configuration options listed in [Table 8 on page 24](#) are not available if you choose embedded RAID (in this case, you must configure RAID yourself using separate software).

(2) Mezzanine RAID controller cards (not supported in 1-CPU configurations)

(3) PCIe RAID controllers

Cisco can provide factory-configured RAID systems depending on the RAID controller chosen and the number of drives ordered. Factory-configured RAID options are listed with each RAID card description.

Select RAID Options

Select one of the following (these choices are dependent on the number of CPUs installed):

- One embedded RAID upgrade option for internal drives, or
- One mezzanine RAID controller for internal drives, or
- One RAID controller for external drives, or
- One RAID controller for internal drives, or

- One mezzanine RAID controller for internal drives and one RAID controller for external drives



NOTE: For all valid combinations of embedded RAID, mezzanine RAID, and internal/external RAID controller combinations, see [RAID Details, page 70](#).

Table 6 Available Embedded RAID Options

Product ID (PID)	PID Description
RAID Controllers	
UCSC-RAID-ROM5	Onboard RAID, consisting of a plug-in storage controller unit (SCU), supporting up to 8 internal SAS +SATA drives. SAS and SATA drives can be mixed. This option supports RAID 0, 1, and 10, and operates at 3 Gb/s. Operating systems supported are Windows and Linux only (no VMware support).
UCSC-RAID-ROM55	Onboard RAID, consisting of two plug-in modules (an SCU plus a software key module) supporting up to 8 internal SAS+SATA drives. SAS and SATA drives can be mixed. This option supports RAID 0, 1, 5, and 10 and operates at 3 Gb/s. Operating systems supported are Windows and Linux only (no VMware support).



NOTE: VMware ESX/ESXi or any other virtualized environments are not supported for use with the embedded MegaRAID controller. Hypervisors such as Hyper-V, Xen, or KVM are also not supported for use with the embedded MegaRAID controller

Table 7 Available Mezzanine Card RAID Options

Product ID (PID)	PID Description
Mezzanine RAID Controllers (not supported in 1-CPU systems)	
UCSC-RAID-11-C220	<p>Cisco UCSC RAID SAS 2008M-8i Mezzanine Card (RAID 0, 1, 5, 10, and 50 plus JBOD supported), operating at 6 Gbs.</p> <ul style="list-style-type: none"> ■ Supports up to eight internal SAS+SATA drives. SAS and SATA drives can be mixed. ■ Factory-configured RAID options available: RAID 0, 1, 5, and 10 (see the RAID PIDs section in this table)
UCSC-RAID-MZ-220	<p>Cisco UCSC RAID SAS 2008M-8i Mezzanine Card (RAID 0, 1, 10 plus JBOD supported), operating at 6 Gbs.</p> <ul style="list-style-type: none"> ■ Supports up to eight internal SAS+SATA drives. SAS and SATA drives can be mixed. ■ Factory-configured RAID options available: RAID 0, 1, and 10 (see the RAID PIDs section in this table) ■ No data cache backup

Table 8 Available PCIe RAID Controller Options



Product ID (PID)	PID Description
RAID Controllers^a	
Note that PCIe RAID controllers are installed by default in slot 1 for 1-CPU systems and slot 2 for 2-CPU systems)	
UCS-RAID9271-8I or UCS-RAID9271CV-8I	<p>LSI MegaRAID SAS 9271-8i or 9271CV-8i RAID controller card with data cache backup (RAID 0, 1, 10, 5, 6, 50, 60), operating at 6 Gbs.</p> <ul style="list-style-type: none"> ■ Supports up to eight internal SAS+SATA drives. SAS and SATA drives can be mixed. ■ Includes a 1 GB Transportable Flash Module (TFM) and a chassis-mounted (remote) supercapacitor for data cache power backup (supercapacitor not available on the 9271-8i) ■ Factory-configured RAID options available: RAID 0, 1, 5, 6, and 10, (see the RAID PIDs section in this table)
<p> NOTE: For any application requiring Virtualization support (VMs), with write cache/scalable performance, use the 9271CV-8I RAID controller instead of the mezzanine RAID controllers (UCSC-RAID-11-C220 or UCSC-RAID-MZ-220), as the latter controllers do not support a write cache.</p>	
UCS-RAID-9285CV-E or UCS-RAID9286CV-8E	<p>LSI MegaRAID SAS 9285CV-8e or 9286CV-8e (RAID 0, 1, 5, 6, 10)</p> <ul style="list-style-type: none"> ■ Supports from one to eight external SAS ports (up to 240 external drives).
<p> NOTE: For SAS 9285CV-8e or 9286CV-8e external drive enclosure support, see the compatibility list (enclosure section) at the following link:</p> <p>http://tinyurl.com/b4etshk</p> <p>Cisco is able to support customers with questions related to the SAS 9285CV-8e or 9286CV-8e RAID card; however, customers should contact their storage vendor for technical support related to enclosure/JBOD.</p>	
<ul style="list-style-type: none"> ■ Includes an chassis-mount (remote) supercapacitor to power on-board 1 GB flash-backed write cache. ■ Factory-configured RAID options: RAID 0, 1, 5, 6, 10 (see the RAID Configuration section in this table). Note that factory RAID configuration is not available for these controllers, because the factory does not control the storage array attached to them. 	
Super Capacitor Option	
UCS-RAID-CV-SC=	LSI CacheVault Power Module. This is a spare supercapacitor. It is the exact same supercapacitor that ships with the 9271CV-8i, 9285CV-8e, and 9286CV-8e cards listed earlier in this table and can be used as a replacement or upgrade part.

Table 8 Available PCIe RAID Controller Options (*continued*)

Product ID (PID)	PID Description
RAID Configuration Options (not available for embedded RAID)	
R2XX-SRAID0	Enable Single Disk Raid 0 Setting (for the following PIDs only): <ul style="list-style-type: none"> ■ UCS-RAID9271-8i or UCS-RAID9271CV-8I ■ UCSC-RAID-11-C220 ■ UCSC-RAID-MZ-220
R2XX-RAID0	Factory preconfigured RAID striping option Enable RAID 0 Setting. Requires a minimum of one hard drive.
R2XX-RAID1	Factory preconfigured RAID mirroring option Enable RAID 1 Setting. Requires exactly two drives with the same size, speed, capacity.
R2XX-RAID5	Factory preconfigured RAID option Enable RAID 5 Setting. Requires a minimum of three drives of the same size, speed, capacity.
R2XX-RAID6	Factory preconfigured RAID option Enable RAID 6 Setting. Requires a minimum of four drives of the same size, speed, capacity.
R2XX-RAID10	Factory preconfigured RAID option Enable RAID 10 Setting. Requires a even number of drives (minimum of four drives) of the same size, speed, capacity.

Notes . . .

- a. The SAS 9285CV-8e is compatible with PCI Express 2.0 x8 and the 9271-8i, 9271CV-8i, and 9286CV-8e are compatible with PCI Express 3.0 x8.



NOTE: The 9266CV-8i and 9285CV-8e RAID controllers will reach end-of-life (EOL) in November, 2013. After then, they will no longer be available.



NOTE: Although RAID levels 50 and 60 are not orderable from the factory, they are supported for selected controllers as shown in [Table 6](#)



CAUTION: If one of your RAID cards is equipped with a battery backup unit (BBU), be aware that hot swapping the BBU is not supported. Please perform a graceful shutdown of the server prior to replacing the BBU.

Approved Configurations

The C220 M3 SFF server has an 8-drive backplane.

- ROM5 and ROM55 embedded RAID upgrade options support up to 8 internal drives.
- Mezzanine card (UCSC-RAID-11-C220) supports up to 8 internal drives.
- Mezzanine card (UCSC-RAID-MZ-220) supports up to 8 internal drives.
- SAS 9271-8i and 9271CV-8i PCIe cards support up to 8 drives.
- LSI MegaRAID SAS 9285CV-8e and 9286CV-8e PCIe cards support up to 8 external SAS ports (240 external drives)

See [Table 9](#) for a summary of the supported RAID configuration options.

Table 9 Supported RAID Configurations

Server	# CPUs	Embedded RAID	Mezz RAID ^a	Internal PCIe RAID #1 ^b	Internal PCIe RAID #2 ^c	External PCIe RAID ^d	# Drives Supported	PCIe Slots ^e	
								1	2
C220 M3 SFF	1	Enabled	Not allowed ^f	Not allowed	Not allowed	Not allowed	8 internal	A	U
C220 M3 SFF	1	Not allowed	Not allowed	Installed slot 1 (default)	Not allowed	Not allowed	8 internal	O	U
C220 M3 SFF	1	Not allowed	Not allowed	Not allowed	Not allowed	Installed slot 1	240 external	O	U
C220 M3 SFF	2	Enabled	Not allowed	Not allowed	Not allowed	Not allowed	8 internal	A	A
C220 M3 SFF	2	Not allowed	Installed	Not allowed	Not allowed	Card absent	8 internal	A	A
C220 M3 SFF	2	Not allowed	Not allowed	Installed slot 2 (default)	Not allowed	Not allowed	8 internal	A	O
C220 M3 SFF	2	Not allowed	Card absent	Not allowed	Not allowed	Installed slot 1 or slot 2	240 external	A	A
C220 M3 SFF	2	Not allowed	Installed	Not allowed	Not allowed	Installed slot 1 or slot 2	8 internal 240 external	A	A

Notes . . .

- Never disable OPROM for the mezzanine slot if the mezzanine card is present, or the system will not boot. If you remove the mezzanine card and disable its OPROM, you can boot from another bootable device (RAID card, embedded RAID, or from SAN via an HBA or CNA card). When you boot from a device, make sure its OPROM is enabled, it is in the proper boot sequence, and its BIOS is configured for a bootable device.
- If you want to boot from a device other than the 9271-8i, or 9271CV-8i MegaRAID PCIe card, you can leave the card installed. Just disable the OPROM for its slot, and the system will boot even with the card installed.
- Dual RAID controllers are not supported in this server
- External RAID card is the 9285CV-8e or 9286CV-8e. Any of these can be installed simultaneously with one mezzanine RAID controller card. They cannot be used simultaneously with an internal RAID controller card (9271-8i, or 9271CV-8i) because of mounting space limitations for the supercap (there is space to mount only one supercap).
- A = available slot, O = occupied slot, U = unsupported slot (slot 2 is not supported in 1-CPU systems)
- The mezzanine slot is not supported in 1-CPU systems

Caveats

- Note that only a single Cisco VIC card (the half-height Cisco VIC 1225 and 1285 PCIe card) is supported and it must be installed in the full-height PCIe slot (slot 1) on riser 1. So take this into account when populating RAID controller cards.
- You can choose an optional RAID configuration (RAID 0, 1, 5, 6, or 10), which is preconfigured at the factory. The RAID level you choose must be an available RAID choice for the controller selected. RAID levels 50 and 60 are supported, although they are not available as configuration options.



NOTE: RAID for the external RAID controllers (LSI MegaRAID SAS 9286CV-e and LSI MegaRAID SAS 9285CV-e) is not factory configured.



NOTE: For more important information regarding RAID combinations and support, see [RAID Details, page 70](#) and [RAID Option ROM \(OPROM\) Settings, page 71](#).

STEP 5 SELECT HARD DISK DRIVES (HDDs) or SOLID STATE DRIVES (SSDs)

The standard disk drive features are:

- 2.5-inch small form factor
- Hot-pluggable
- Sled-mounted

Select Drives

The available drives are listed in [Table 10](#).

Table 10 Available Hot-Pluggable Sled-Mounted HDDs and SSDs

Product ID (PID)	PID Description	Drive Type	Capacity
HDDs			
12 Gbps Drives			
UCS-HD600G15K12G	600 GB 12G SAS 15K RPM SFF HDD	SAS	600 GB
UCS-HD450G15K12G	450 GB 12G SAS 15K RPM SFF HDD	SAS	450 GB
UCS-HD300G15K12G	300GB 12G SAS 15K RPM SFF HDD	SAS	300 GB
UCS-HD12TB10K12G	1.2 TB 12G SAS 10K RPM SFF HDD	SAS	1.2 TB
UCS-HD900G10K12G	900 GB 12G SAS 10K RPM SFF HDD	SAS	900 GB
UCS-HD600G10K12G	600 GB 12G SAS 10K RPM SFF HDD	SAS	600 GB
UCS-HD300G10K12G	300 GB 12G SAS 10K RPM SFF HDD	SAS	300 GB
UCS-HD2T7K12G	2 TB 12G SAS 7.2K RPM SFF HDD	SAS	2 TB
UCS-HD1T7K12G	1 TB 12G SAS 7.2K RPM SFF HDD	SAS	1 TB
6 Gbps Drives			
UCS-HD600G15KS2-E	600 GB SAS 15K RPM SFF HDD	SAS	600 GB
UCS-HD450G15KS2-E	450 GB SAS 15K RPM SFF HDD	SAS	450 GB
A03-D1TBSATA	1 TB SATA 7.2K RPM SFF HDD	SATA	1 TB
UCS-HD1T7KS2-E	1 TB SAS 7.2K RPM 2.5 inch HDD	SAS	1 TB
UCS-HDD900GI2F106	900 GB 6Gb SAS 10K RPM SFF HDD	SAS	900 GB
A03-D600GA2	600 GB 6Gb SAS 10K RPM SFF HDD	SAS	600 GB
A03-D500GC3	500 GB SATA 7.2K RPM SFF HDD	SATA	500 GB
UCS-HDD300GI2F105	300 GB 6Gb SAS 15K RPM SFF	SAS	300 GB
A03-D300GA2	300 GB 6Gb SAS 10K RPM SFF HDD	SAS	300 GB

Table 10 Available Hot-Pluggable Sled-Mounted HDDs and SSDs (continued)

Product ID (PID)	PID Description	Drive Type	Capacity
SSDs			
12 Gbps Drives			
UCS-SD800G12S4-EP	800 GB 2.5 inch Enterprise Performance 12G SAS SSD (10X endurance)	SAS	800 GB
UCS-SD400G12S4-EP	400 GB 2.5 inch Enterprise Performance 12G SAS SSD (10X endurance)	SAS	400 GB
6 Gbps Drives			
UCS-SD800G0KS2-EP	800 GB 2.5 inch Enterprise Performance SAS SSD (Samsung 1625)	SAS	800 GB
UCS-SD400G0KS2-EP	400 GB 2.5 inch Enterprise Performance SAS SSD (Samsung 1625)	SAS	400 GB
UCS-SD200G0KS2-EP	200 GB 2.5 inch Enterprise Performance SAS SSD (Samsung 1625)	SAS	200 GB
UCS-SD480GBKS4-EV	480 GB 2.5 inch Enterprise Value 6G SATA SSD (Intel 3510)	SATA	480 GB
UCS-SD120GBKS4-EV	120 GB 2.5 inch Enterprise Value 6G SATA SSD (Intel 3510)	SATA	120 GB
UCS-SD960G0KS2-EV	960 GB SATA 2.5 inch Enterprise Value 6G SSD (Samsung 853T)	SATA	960 GB
UCS-SD480G0KS2-EV	480 GB SATA 2.5 inch Enterprise Value 6G SSD (Intel 3500)	SATA	480 GB
UCS-SD400G0KA2-G	400 GB SATA 2.5" Enterprise Value SSD	SATA	400 GB
UCS-SD240G0KS2-EV	240 GB SATA 2.5 inch Enterprise Value 6G SSD (Samsung 853T)	SATA	240 GB
UCS-SD120G0KS2-EV	120 GB SATA 2.5 inch Enterprise Value 6G SSD (Intel 3500)	SATA	120 GB
UCS-SD100G0KA2-G	100 GB SATA 2.5" Enterprise Value SSD	SATA	100 GB



NOTE: When creating a RAID volume, follow these guidelines:

- Use the same capacity for each drive in the volume
- Use either all SAS drives or all SATA drives
- Use either all HDDs or all SSDs

Approved Configurations

(1) Onboard RAID, Mezzanine Cards, and all PCIe RAID Controllers

- If you have not selected an onboard RAID upgrade option (ROM5 or ROM55), a mezzanine card, or a PCIe RAID controller for internal drives (LSI MegaRAID 9271-8i or 9271CV-8i), you may select up to 4 SATA-only drives, which will be controlled with the embedded SATA-only RAID controller.
- Otherwise, select up to eight SAS+SATA drives listed in [Table 10](#). You can mix SAS and SATA drives.

Caveats

- You can mix SATA and SAS drives.

STEP 6 SELECT PCIe OPTION CARD(s)

The standard PCIe card offerings are:

- Converged Network Adapters (CNAs)
- Network Interface Cards (NICs)
- Host Bus Adapters (HBAs)
- UCS Storage Accelerators

Select PCIe Option Cards

The available PCIe option cards are listed in [Table 11](#).

Table 11 Available PCIe Option Cards

Product ID (PID)	PID Description	Card Height
Converged Network Adapters (CNAs)		
UCSC-PCIE-CSC-02	Cisco VIC 1225 Dual Port 10Gb SFP+ CNA	Half
UCSC-PCIE-C10T-02	Cisco VIC 1225T Dual Port 10GBaseT CNA	Half
UCSC-PCIE-C40Q-02	Cisco VIC 1285 Dual Port 40 Gb QSFP CNA	Half
UCSC-PCIE-ESFP	Emulex OCe11102-FX dual-port 10 GbE FCoE CNA (Gen 3 CNA)	Half
UCSC-PCIE-B3SFP	Broadcom 57810 10Gb A-FEX SFP+	Half
UCSC-PCIE-Q8362	Qlogic QLE8362 dual-port 10 GbE FCoE CNA	Half
Network Interface Cards (NICs)		
N2XX-ABPCI01-M3	Broadcom 5709 Dual Port 1Gb w/TOE iSCSI for M3 Servers	Half
N2XX-ABPCI03-M3	Broadcom 5709 Quad Port 1Gb w/TOE iSCSI for M3 Servers	Half
N2XX-AIPCI01	Intel X520 Dual Port 10Gb SFP+ Adapter	Half
UCSC-PCIE-ITG	Intel X540 Dual Port 10GBase-T Adapter	Half
UCSC-PCIE-IRJ45	Intel i350 Quad Port 1Gb Adapter	Half
UCSC-PCIE-BTG	Broadcom 57712 Dual Port 10GBASE-T w/TOE iSCSI	Half
Host Bus Adapters (HBAs)		
N2XX-AEPCI03	Emulex LPe 11002 Dual Port 4Gb Fibre Channel HBA	Half
N2XX-AEPCI05	Emulex LPe 12002 Dual Port 8Gb Fibre Channel HBA	Half
N2XX-AQPCI03	Qlogic QLE2462 Dual Port 4Gb Fibre Channel HBA	Half
N2XX-AQPCI05	Qlogic QLE2562 Dual Port 8Gb Fibre Channel HBA	Half
UCSC-PCIE-Q2672	Qlogic QLE2672-CSC, 16Gb Fibre Channel HBA with SR Optics	Half

Table 11 Available PCIe Option Cards (*continued*)

Product ID (PID)	PID Description	Card Height
UCSC-PCIE-E16002	Emulex LPe16002-M6, 16Gb Fibre Channel HBA with SR Optics	Half
UCS Storage Accelerators		
UCSC-F-FIO-5200MP	UCS 5200 GB Fusion ioMemory3 PX Performance line for C-Series	Full
UCSC-F-FIO-2600MP	UCS 2600 GB Fusion ioMemory3 PX Performance line for C-Series	Half
UCSC-F-FIO-1300MP	UCS 1300 GB Fusion ioMemory3 PX Performance line for C-Series	Half
UCSC-F-FIO-1000MP	UCS 1000 GB Fusion ioMemory3 PX Performance line for C-Series	Half
UCSC-F-FIO-3000M	Cisco UCS 3.0 TB MLC Fusion ioDrive2 for C-Series Servers	Full
UCSC-F-FIO-1205M	Cisco UCS 1205 GB MLC Fusion ioDrive2 for C-Series Servers	Half
UCSC-F-FIO-785M	Cisco UCS 785 GB MLC Fusion ioDrive2 for C-Series Servers	Half
UCSC-F-FIO-365M	Cisco UCS 365 GB MLC Fusion ioDrive2 for C-Series Servers	Half

Approved Configurations

(1) No PCIe RAID controller

- If you did not choose a PCIe RAID controller (for example, you are using embedded RAID or a mezzanine RAID controller), you can select up to one PCIe option card (for 1-CPU systems) or two PCIe option cards (for 2-CPU systems) listed in [Table 11 on page 32](#).

(2) One PCIe RAID controller

- If you selected a PCIe RAID controller, you can select none of the optional PCIe cards (for 1-CPU systems) or one of the optional PCIe cards (for 2-CPU systems) listed in [Table 11 on page 32](#).



NOTE: If a PCIe RAID controller card is installed, any optional PCIe card you select will be installed in the full-height slot. RAID controllers are always installed in the half-height slot.

Caveats

- Do not mix Fusion io storage accelerator families (do not mix “MP” family cards with “M” family cards).
- For 1-CPU systems:
 - Only the full-height PCIe slot (slot 1) is supported
 - Neither PCIe slot 2 nor the mezzanine card slot are supported
 - Only a single VIC card (the Cisco VIC 1225 or 1285 PCIe card) is supported and must be installed in slot 1 (the full-height slot).

- If any of the Fusion ioDrive2 cards are installed, they must be plugged into slot 1. Note that only the Cisco UCS 3.0 TB MLC Fusion ioDrive2 and Cisco UCS 5200 GB Fusion ioMemory3 cards are full-height; all other Fusion io cards are half-height and therefore may need an adapter to hold them securely in the full-height slot.
- For 2-CPU systems:
 - Both PCIe slots (slots 1 and 2) and the mezzanine card slot are supported
 - Only a single VIC card (the half-height Cisco VIC 1225 or 1285 PCIe card) is supported and it must be installed in slot 1 (the full height slot).
 - Only a single Cisco UCS 3.0 TB MLC Fusion ioDrive2 or Cisco UCS 5200 GB Fusion ioMemory3 card is supported and it must be installed in slot 1 (the full height slot).
 - Up to two of the other Fusion io cards are supported and can be installed in either slot 1 or 2, although an adapter may be needed when installing one of these half-height cards in slot 1 (the full-height slot).
- Other considerations for the Cisco VIC 1225 or 1285:
 - Supports 10G SFP+ optical and copper twinax connections
 - The server supports installation of one Cisco VIC card and it is supported only in PCIe slot 1.
 - Requires that the server has CIMC firmware version 1.4(6) or later installed. There is a heartbeat LED on the top of the card that indicates when firmware is active.
 - To use this card for UCS integration (Cisco UCS Manager mode) with Cisco UCS Manager 2.1(0) or later, the minimum card-firmware and uboot image level is 2.1(0.306).
- To help ensure that your operating system is compatible with the card you have selected, check the Hardware Compatibility List at this URL:

http://www.cisco.com/en/US/products/ps10477/prod_technical_reference_list.html

STEP 7 ORDER OPTIONAL NETWORK CARD ACCESSORIES

Copper twinax cables and SFP optical modules may be ordered to support the two-port network cards that are available with the server.

Choose Optional Twinax Cables

Table 12 lists the copper twinax cables available for the PCIe cards. You can choose cable lengths of 1, 3, 5, 7, or 10 meters. The two longer cables (7 and 10 meters) are active, which means that they contain active components within the SFP+ housing to improve signal quality.

Table 12 Available Twinax Cables

Product ID (PID)	PID Description
SFP-H10GB-CU1M	10GBASE-CU SFP+ Cable (1 M)
SFP-H10GB-CU3M	10GBASE-CU SFP+ Cable (3 M)
SFP-H10GB-CU5M	10GBASE-CU SFP+ Cable (5 M)
SFP-H10GB-ACU7M	10GBASE-CU SFP+ Cable (7 M)
SFP-H10GB-ACU10M	10GBASE-CU SFP+ Cable (10 M)

Approved Configurations

(1) Choose Up to Two Twinax Cables for Each Network Card Ordered

- You may choose one or two twinax cables for each compatible PCIe network card ordered. The cables can be different lengths; however, you would normally order two cables of equal lengths to connect to the primary and redundant network switching equipment.

Choose Optional SFP Modules

Optical Cisco SFP+ modules are listed in *Table 13*.

Table 13 Available SFP Modules

Product ID (PID)	PID Description
SFP-10G-SR	10GBASE-SR SFP+ Module 850 nm, multimode, SR, 3.3V, LC connector, with Digital Optical Monitoring
SFP-10G-LR	10GBASE-LR SFP+ Module 1310 nm, single mode, LR, 3.3 V, with Digital Optical Monitoring
DS-SFP-FC8G-SW	8 Gbit SFP+ Module 850 nm, multimode, SR, 3.3V, LC connector, with Digital Optical Monitoring

Approved Configurations

(1) Choose Up to Two SFP+ Modules for Each Network Card Ordered

- You may choose one or two SFP+ optical modules cables for each compatible PCIe network card ordered. You would normally order two modules for connecting to the primary and redundant network switching equipment. With the SFP+ optical modules, you can use common fiber optic cables, widely available.

See the *Figure 5 on page 39* for typical SFP+ and twinax connections to the network cards.

Caveats

Check the table on the following page for compatibility between the PCIe network cards and SFPs or twinax cables.



NOTE: The table shows all PCIe network cards for all C-series servers. Not all of the cards shown in the table are supported in this server. The intent of the table is to show compatibility between cards and twinax cables or SFPs.

Table 14 PCIe Card Compatibility

PCIe Cards	Twinax Cables	Cisco SFP Modules		
		SFP-10G-SR	SFP-10G-LR	DS-SFP-FC8G-SW
Converged Network Adapters (CNAs)				
UCSC-PCIE-BSFP (Broadcom 57712 Dual Port 10Gb SFP+ w/TOE iSCSI)	Yes	Yes	No	
UCSC-PCIE-CSC-02 (Cisco VIC 1225 Dual Port 10Gb SFP+ CNA)	Yes	Yes	Yes	No
UCSC-PCIE-C10T-02 (Cisco VIC 1225T Dual Port 10GBaseT CNA)	No	No	No	No
UCSC-MLOM-CSC-02 (Cisco UCS VIC1227 VIC MLOM - Dual Port 10Gb SFP+)	Yes	Yes	Yes	No
UCSC-MLOM-C10T-02 (Cisco UCS VIC1227T VIC MLOM - Dual Port 10GBaseT)	No	No	No	No
UCSC-PCIE-C40Q-02 (Cisco VIC 1285 Dual Port 40Gb QSFP CNA)	Yes	No ^a	No	
UCSC-PCIE-C40Q-03 (Cisco VIC 1385 Dual Port 40Gb QSFP+ CNA w/RDMA)	Yes	No ¹	No	
UCSC-PCIE-ESFP (Emulex OCe11102-FX dual-port 10 GbE FCoE CNA (Gen 3 CNA))	Yes	Yes	No	
UCSC-PCIE-QSFP (QLogic QLE8242-CU dual-port 10 GbE FCoE CNA)	Yes	Use Qlogic SFP		
UCSC-PCIE-B3SFP (Broadcom 57810 10Gb A-FEX SFP+)	Yes	Yes	No	
UCSC-PCIE-Q8362 (Qlogic QLE8362 dual-port 10 GbE FCoE CNA)	Yes	Use Qlogic SFP		
UCSC-PCIE-E14102 (Emulex OCe14102-UX dual-port 10 GbE FCoE CNA)	Yes	Yes	No	
Network Interface Cards (NICs)				
N2XX-ABPCI01-M3 (Broadcom 5709 Dual-Port Ethernet PCIe Adapter for M3 Servers)	Use RJ45 Ethernet cable			
N2XX-ABPCI03-M3 (Broadcom 5709 Quad Port 10/100/1Gb NIC w/TOE iSCSI for M3 Servers)	Use RJ45 Ethernet cable			
N2XX-AIPCI01 (Intel X520 Dual Port 10Gb SFP+ Adapter)	Yes	Use Intel SFP CDE2-SFP-1WLR or CDE2-SFP-1WSR		
UCSC-PCIE-ITG (Intel X540 Dual Port 10GBase-T Adapter)	Use RJ45 Ethernet cable			
UCSC-PCIE-IRJ45 (Intel i350 Quad Port 1Gb Adapter)	Use RJ45 Ethernet cable			

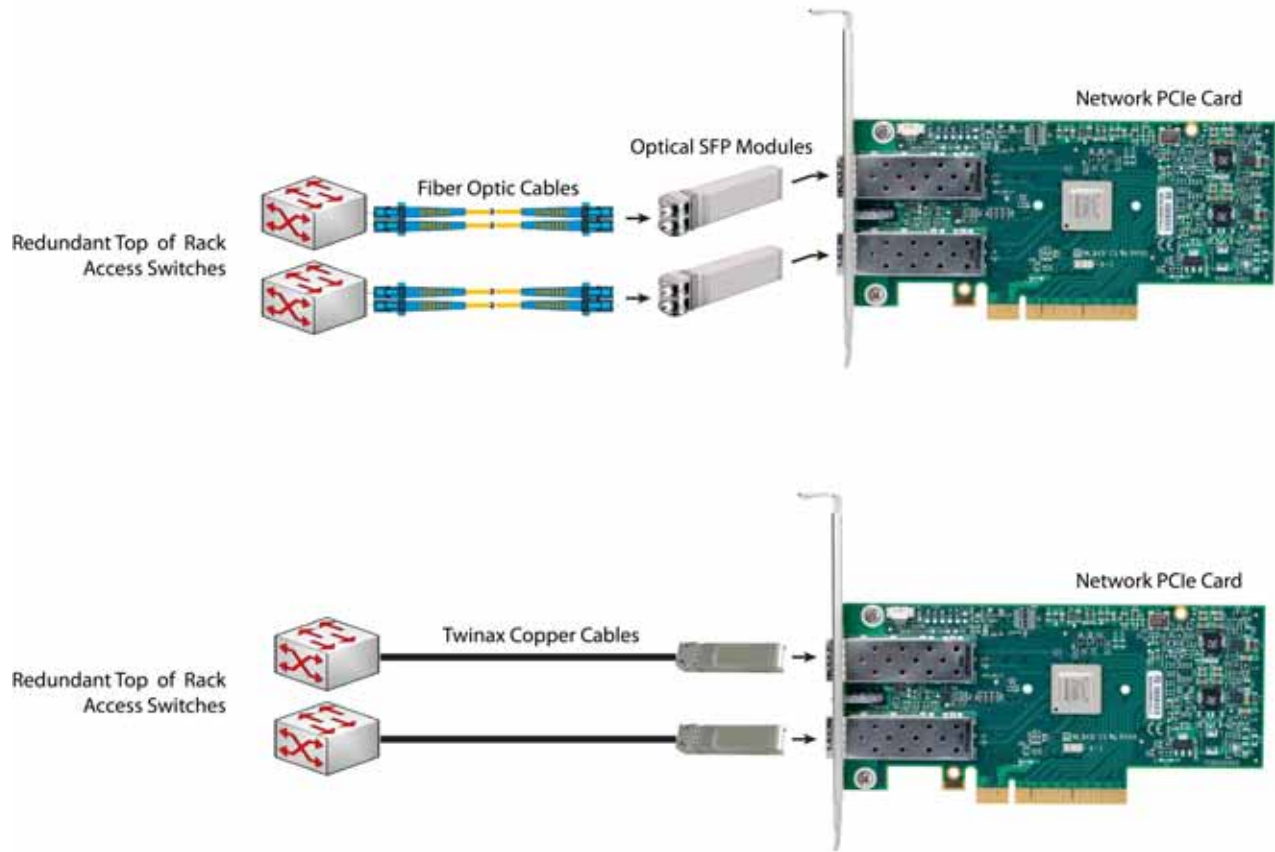
Table 14 PCIe Card Compatibility (continued)

PCIe Cards	Twinax Cables	Cisco SFP Modules		
		SFP-10G-SR	SFP-10G-LR	DS-SFP-FC8G-SW
UCSC-PCIE-BTG (Broadcom 57712 Dual Port 10GBASE-T w/TOE iSCSI)	Yes	No	No	
Host Bus Adapters (HBAs)				
N2XX-AEPCI03 (Emulex LPe 11002 Dual Port 4Gb Fibre Channel HBA)	No	Preinstalled - do not change SFP		
N2XX-AEPCI05 (Emulex LPe 12002 Dual Port 8Gb Fibre Channel HBA)	No	Preinstalled - do not change SFP		
N2XX-AQPCI03 (QLogic QLE2462 Dual Port 4Gb Fibre Channel HBA)	No	Preinstalled - do not change SFP		
N2XX-AQPCI05 (QLogic QLE2562 Dual Port 8Gb Fibre Channel HBA)	No	Preinstalled - do not change SFP		
UCSC-PCIE-Q2672 (QLogic QLE2672-CSC, 16Gb Fibre Channel HBA with SR Optics)	No	Preinstalled - do not change SFP		
UCSC-PCIE-E16002 (Emulex LPe16002-M6, 16Gb Fibre Channel HBA with SR Optics)	No	Preinstalled - do not change SFP		

Notes . . .

- a. This card supports a 4x10 Gbps QSFP to SFP breakout fiber cable.

Figure 5 Network Card Connections



STEP 8 ORDER POWER SUPPLY

The C220 M3 SFF server accommodates two power supplies. A lightly loaded server can operate from one 650 W power supply. A fully loaded server might need to be powered with two 450 W or two 650 W power supplies (see [Table 15](#)).



NOTE: For configurations that use 130 W or 135 W CPUs, the minimum power supply required is 650 W (UCSC-PSU-650W). See [STEP 2 SELECT CPU\(s\), page 13](#).

Use the power calculator at the following link to determine the needed power based on the options chosen (CPUs, drives, memory, and so on):

<http://ucspowercalc.cisco.com>

Table 15 Power Supply PIDs

Product ID (PID)	PID Description
UCSC-PSU-450W	450 W power supply
UCSC-PSU-650W	650 W power supply
UCSC-PSU-930WDC	930 W -48V DC power supply
UCSC-PSU2V2-930DC	930 W - 48V V2 DC Power Supply for 2U C-Series Servers



NOTE: In a two power supply server, both power supplies must be identical.

Table 16 Available Power Cords

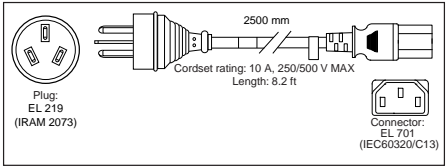
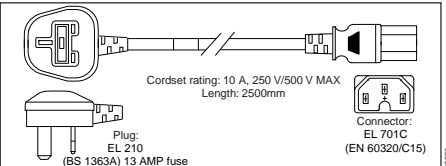
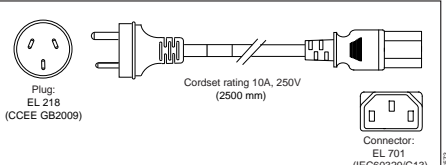
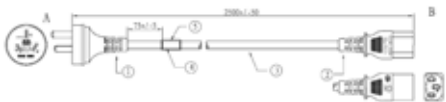
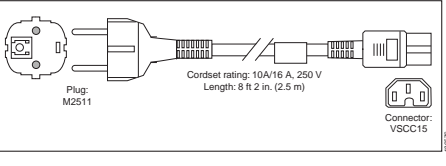
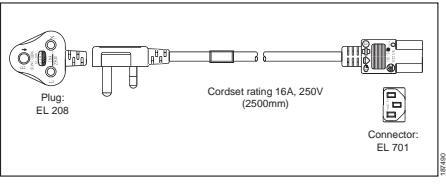
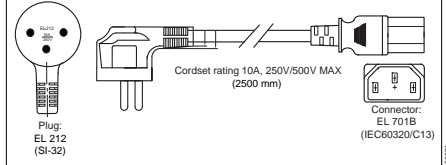
Product ID (PID)	PID Description	Images
CAB-250V-10A-AR	Power Cord, SFS, 250V, 10A, Argentina	
CAB-9K10A-AU	Power Cord, 250VAC 10A 3112 Plug, Australia	
CAB-250V-10A-CN	Power Cord, SFS, 250V, 10A, China	
CAB-250V-10A-CN	AC Power Cord - 250V, 10A - PRC	
CAB-9K10A-EU	Power Cord, 250VAC 10A CEE 7/7 Plug, EU	
CAB-250V-10A-ID	Power Cord, SFS, 250V, 10A, India	
CAB-250V-10A-IS	Power Cord, SFS, 250V, 10A, Israel	

Table 16 Available Power Cords

Product ID (PID)	PID Description	Images
CAB-9K10A-IT	Power Cord, 250VAC 10A CEI 23-16/VII Plug, Italy	<p>Plug: I/3G (CEI 23-16) Cordset rating: 10 A, 250 V Length: 8 ft. 2 in (2.5 m) Connector: C15M (EN60320/C15)</p>
CAB-9K10A-SW	Power Cord, 250VAC 10A MP232 Plug, Switzerland	<p>Plug: MP232-R Cordset rating: 10 A, 250 V Length: 8 ft. 2 in (2.5 m) Connector: IEC 60320 C15</p>
CAB-9K10A-UK	Power Cord, 250VAC 10A BS1363 Plug (13 A fuse), UK	<p>Cordset rating: 10 A, 250 V/500 V MAX Length: 2500mm Plug: EL 210 (BS 1363A) 13 AMP fuse Connector: EL 701 C (EN 60320/C15)</p>
CAB-9K12A-NA	Power Cord, 125VAC 13A NEMA 5-15 Plug, North America	<p>Cordset rating: 13A, 125V (8.2 feet) (2.5m) Plug: NEMA 5-15P Connector: IEC60320-C15</p>
CAB-250V-10A-BR	Power Cord - 250V, 10A - Brazil	<p>2,133.6 ± 25</p>
CAB-JPN-3PIN	Power Cord 3PIN, Japan	Image not available

STEP 10 ORDER OPTIONAL REVERSIBLE CABLE MANAGEMENT ARM

The reversible cable management arm mounts on either the right or left slide rails at the rear of the server and is used for cable management. Use [Table 17](#) to order a cable management arm.

Table 17 Cable Management Arm

Product ID (PID)	PID Description
UCSC-CMA1	Cable Management Arm for C220 rack servers

For more information about the cable management arm, see the *Cisco UCS C220 M3 Installation and Service Guide* at this URL:

http://www.cisco.com/en/US/docs/unified_computing/ucs/c/hw/C220/install/C220.pdf



NOTE: All UCS C220 M3 servers ship with a tool-less rail kit.

STEP 11 SELECT NIC MODE (OPTIONAL)

By default, the C220 M3 server NIC mode is configured to be Shared LOM Extended. This NIC mode allows any LOM port or adapter card port to be used to access the Cisco Integrated Management Controller (CIMC). The Cisco adapter card must be installed in a slot with NCSI support.

To change the default NIC mode to Dedicated, select the PID shown in *Table 18*. In Dedicated NIC mode, the CIMC can be accessed only through the dedicated management port. See *Chassis Rear View, page 7* for the location of the management port.

For more details on all the NIC mode settings, see

http://www.cisco.com/c/en/us/td/docs/unified_computing/ucs/c/sw/gui/config/guide/2-0/b_Cisco_UCS_C-series_GUI_Configuration_Guide_201.pdf

Table 18 Dedicated NIC Mode Ordering Information

Product ID (PID)	PID Description
UCSC-DLOM-01	Dedicated Mode BIOS setting for C-Series Servers

STEP 12 ORDER A TRUSTED PLATFORM MODULE (OPTIONAL)

Trusted Platform Module (TPM) is a computer chip (microcontroller) that can securely store artifacts used to authenticate the platform (server). These artifacts can include passwords, certificates, or encryption keys. A TPM can also be used to store platform measurements that help ensure that the platform remains trustworthy. Authentication (ensuring that the platform can prove that it is what it claims to be) and attestation (a process helping to prove that a platform is trustworthy and has not been breached) are necessary steps to ensure safer computing in all environments.

The TPM ordering information is listed in [Table 19](#).

Table 19 Trusted Platform Module

Product ID (PID)	PID Description
UCSX-TPM1-001	Trusted Platform Module



NOTE: The module used in this server conforms to TPM v1.2/1.3, as defined by the Trusted Computing Group (TCG).

STEP 13 ORDER CISCO FLEXIBLE FLASH SD CARD MODULE (OPTIONAL)

You can order either one or two 32 GB SD cards. See *Figure 6 on page 60* for the location of the SD cards. There are two locations, SD1 and SD2.

Table 20 32 GB Secure Digital (SD) Card

Product ID (PID)	PID Description
UCS-SD-32G-S	32 GB SD Card for UCS servers

Caveats

- The following configurations are valid:
 - One 32 GB SD card
 - Two 32 GB cards

STEP 14 ORDER OPTIONAL USB 2.0 DRIVE

You can order one optional USB 2.0 drive. The USB drive ordering information is listed in [Table 21](#).

Table 21 USB 2.0 Drive

Product ID (PID)	PID Description
UCS-USBFLSH-S-4GB	4GB Flash USB Drive (shorter length) for all servers except C260

See [Figure 6 on page 60](#) for the location of the USB connector.

STEP 15 SELECT OPERATING SYSTEM AND VALUE-ADDED SOFTWARE

Several operating systems and value-added software programs are available. Select as desired from [Table 22](#).

Table 22 OSs and Value-Added Software (for 2-CPU servers)

PID Description	Product ID (PID)
Cisco One	
C1F2PUCSK9	Cisco ONE Foundation Perpetual UCS
C1F2SICFBK9	Cisco ONE Foundation Subsr Intercloud Fabric For Business
C1A1PUCSK9	Cisco ONE Enterprise Cloud Perpetual UCS
C1UCS-OPT-OUT	Cisco One Data Center Compute Opt Out Option
Microsoft Windows Server	
MSWS-12-ST2S	Windows Server 2012 Standard (2 CPU/2 VMs)
MSWS-12-DC2S	Windows Server 2012 Datacenter (2 CPU/Unlimited VMs)
MSWS-12-ST2S-NS	Windows Server 2012 Standard (2 CPU/2 VMs) No Cisco SVC
MSWS-12-DC2S-NS	Windows Server 2012 Datacenter (2 CPU/Unlim VM) No Cisco SVC
MSWS-12R2-ST2S	Windows Server 2012 R2 Standard (2 CPU/2 VMs)
MSWS-12R2-DC2S	Windows Server 2012 R2 Datacenter (2 CPU/Unlimited VMs)
MSWS-12R2-ST2S-NS	Windows Server 2012 R2 Standard (2 CPU/2 VMs) No Cisco SVC
MSWS-12R2-DC2S-NS	Windows Server 2012 R2 Datacen (2 CPU/Unlim VM) No Cisco Svc
SUSE	
SLES-2S2V-1A	SUSE Linux Enterprise Svr (1-2 CPU,1 Phys);1yr Support Reqd
SLES-2S2V-3A	SUSE Linux Enterprise Svr (1-2 CPU,1 Phys);3yr Support Reqd
SLES-2S2V-5A	SUSE Linux Enterprise Svr (1-2 CPU,1 Phys);5yr Support Reqd
SLES-2SUV-1A	SUSE Linux Enterprise Svr (1-2 CPU,Unl Vrt);1yr Support Reqd
SLES-2SUV-3A	SUSE Linux Enterprise Svr (1-2 CPU,Unl Vrt);3yr Support Reqd
SLES-2SUV-5A	SUSE Linux Enterprise Svr (1-2 CPU,Unl Vrt);5yr Support Reqd
SLES-2S-HA-1S	SUSE Linux High Availability Ext (1-2 CPU); 1yr Support Reqd
SLES-2S-HA-3A	SUSE Linux High Availability Ext (1-2 CPU); 3yr Support Reqd
SLES-2S-HA-5A	SUSE Linux High Availability Ext (1-2 CPU); 5yr Support Reqd
SLES-2S-GC-1S	SUSE Linux GEO Clustering for HA (1-2 CPU); 1yr Support Reqd
SLES-2S-GC-3S	SUSE Linux GEO Clustering for HA (1-2 CPU); 3yr Support Reqd
SLES-2S-GC-5S	SUSE Linux GEO Clustering for HA (1-2 CPU); 5yr Support Reqd
SLES-SAP-2S2V-1A	SLES for SAP Applications (1-2 CPU,1 Phys); 1yr Support Reqd
SLES-SAP-2S2V-3A	SLES for SAP Applications (1-2 CPU,1 Phys); 3yr Support Reqd
SLES-SAP-2S2V-5A	SLES for SAP Applications (1-2 CPU,1 Phys); 5yr Support Reqd
SLES-SAP-2SUV-1A	SLES for SAP Applications (1-2 CPU,Unl Vrt);1yr Support Reqd
SLES-SAP-2SUV-3A	SLES for SAP Applications (1-2 CPU,Unl Vrt);3yr Support Reqd
SLES-SAP-2SUV-5A	SLES for SAP Applications (1-2 CPU,Unl Vrt);5yr Support Reqd
Nexus 1000V for Hyper-V and vSphere	

Table 22 OSs and Value-Added Software (for 2-CPU servers) *(continued)*

PID Description	Product ID (PID)
N1K-VSG-UCS-BUN	Over half off N1K and VSG w/ purchase of UCS B/C Series
N1K-VLEM-UCS-1	Nexus 1000V License Paper Delivery (1 CPU) for bundles
VSG-VLEM-UCS-1	VSG License Paper Delivery (1 CPU) for bundles
UCS Director	
CUIC-PHY-SERV-BM-U	Cisco Cloupia Resource Lic - One Phy Server node bare metal
CUIC-PHY-SERV-U	Cisco Cloupia Resource Lic - One physical Server node
CUIC-TERM	Acceptance of Cisco Cloupia License Terms
UCS Performance Manager	
UCS-PM-IE	UCS Performance Manager
UCS-PM-EE	UCS Performance Manager Express
EVAL-UCS-PM-IE	UCS Performance Manager - 60 days evaluation
EVAL-UCS-PM-EE	UCS Performance Manager Express - 60 days evaluation
NFR-UCS-PM-IE	UCS Performance Manager - Not For Resale
NFR-UCS-PM-EE	CS Performance Manager Express - Not For Resale
IMC Supervisor	
EVAL-CIMC-SUP	EVAL: IMC Supervisor-Branch Mgt SW for C/E-Series - 50 Svrs
EVAL-CIMC-SUP-BAS	EVAL: IMC Supervisor One-time Site Installation License
CIMC-SUP-B01	IMC Supervisor-Branch Mgt SW for C-Series & E-Series up to 100 Svrs
CIMC-SUP-B02	IMC Supervisor- Branch Mgt SW for C-Series & E-Series up to 250 Svrs
CIMC-SUP-B10	IMC Supervisor- Branch Mgt SW for C-Series & E-Series up to 1K Svrs
CIMC-SUP-BASE-K9	IMC Supervisor One-time Site Installation License
CIMC-SUP-TERM	Acceptance of Cisco IMC Supervisor License Terms
VMware 5	
VMW-VS5-STD-1A	VMware vSphere 5 Standard for 1 Processor, 1 Year, Support Rqd
VMW-VS5-STD-2A	VMware vSphere 5 Standard for 1 Processor, 2 Year, Support Rqd
VMW-VS5-STD-3A	VMware vSphere 5 Standard for 1 Processor, 3 Year, Support Rqd
VMW-VS5-STD-4A	VMware vSphere 5 Standard for 1 Processor, 4 Year, Support Rqd
VMW-VS5-STD-5A	VMware vSphere 5 Standard for 1 Processor, 5 Year, Support Rqd
VMW-VS5-ENT-1A	VMware vSphere 5 Enterprise for 1 Processor, 1 Year Support Rqd
VMW-VS5-ENT-2A	VMware vSphere 5 Enterprise for 1 CPU, 2 Yr Support Rqd
VMW-VS5-ENT-3A	VMware vSphere 5 Enterprise for 1 CPU, 3 Yr Support Rqd
VMW-VS5-ENT-4A	VMware vSphere 5 Enterprise for 1 Processor, 4 Year Support Rqd
VMW-VS5-ENT-5A	VMware vSphere 5 Enterprise for 1 CPU, 5 Yr Support Rqd
VMW-VS5-ENTP-1A	VMware vSphere 5 Enterprise Plus for 1 Processor, 1 Year Support Rqd
VMW-VS5-ENTP-2A	VMware vSphere 5 Enterprise Plus for 1 CPU, 2 Yr Support Rqd
VMW-VS5-ENTP-3A	VMware vSphere 5 Enterprise Plus for 1 Processor, 3 Year Support Rqd
VMW-VS5-ENTP-4A	VMware vSphere 5 Enterprise Plus for 1 Processor, 4 Year Support Rqd
VMW-VC5-STD-1A	VMware vCenter 5 Server Standard, 1 yr support required
VMW-VC5-STD-2A	VMware vCenter 5 Server Standard, 2 yr support required

Table 22 OSs and Value-Added Software (for 2-CPU servers) *(continued)*

PID Description	Product ID (PID)
VMW-VC5-STD-3A	VMware vCenter 5 Server Standard, 3 yr support required
VMW-VC5-STD-4A	VMware vCenter 5 Server Standard, 4 yr support required
VMW-VC5-STD-5A	VMware vCenter 5 Server Standard, 5 yr support required

STEP 16 SELECT OPERATING SYSTEM MEDIA KIT

Select the optional operating system media listed in [Table 23](#).

Table 23 OS Media

Product ID (PID)	PID Description
RHEL-6	RHEL 6 Recovery Media Only (Multilingual)
SLES-11	SLES 11 media only (multilingual)
MSWS-08R2-STHV-RM	Windows Svr 2008 R2 ST (1-4CPU, 5CAL), Media
MSWS-08R2-ENHV-RM	Windows Svr 2008 R2 EN (1-8CPU, 25CAL), Media
MSWS-08R2-DCHV-RM	Windows Svr 2008 R2 DC (1-8CPU, 25CAL), Media
MSWS-12-ST2S-RM	Windows Server 2012 Standard (2 CPU/2 VMs) Recovery Media
MSWS-12-DC2S-RM	Windows Server 2012 Datacenter(2 CPU/Unlimited VM) Rec Media
MSWS-12R2-ST2S-RM	Windows Server 2012 R2 Standard (2 CPU/2 VMs) Recovery Media
MSWS-12R2-DC2S-RM	Windows Server 2012 R2 Datacen(2 CPU/Unlimited VM) Rec Media

STEP 17 SELECT SERVICE and SUPPORT LEVEL

A variety of service options are available, as described in this section.

Unified Computing Warranty, No Contract

If you have noncritical implementations and choose to have no service contract, the following coverage is supplied:

- Three-year parts coverage.
- Next business day (NBD) onsite parts replacement eight hours a day, five days a week.
- 90-day software warranty on media.
- Ongoing downloads of BIOS, drivers, and firmware updates.
- UCSM updates for systems with Unified Computing System Manager. These updates include minor enhancements and bug fixes that are designed to maintain the compliance of UCSM with published specifications, release notes, and industry standards.

SMARTnet for UCS

For support of the entire Unified Computing System, Cisco offers the Cisco SMARTnet for UCS Service. This service provides expert software and hardware support to help sustain performance and high availability of the unified computing environment. Access to Cisco Technical Assistance Center (TAC) is provided around the clock, from anywhere in the world.

For UCS blade servers, there is Smart Call Home, which provides proactive, embedded diagnostics and real-time alerts. For systems that include Unified Computing System Manager, the support service includes downloads of UCSM upgrades. The Cisco SMARTnet for UCS Service includes flexible hardware replacement options, including replacement in as little as two hours. There is also access to Cisco's extensive online technical resources to help maintain optimal efficiency and uptime of the unified computing environment. You can choose a desired service listed in [Table 24](#).

Table 24 Cisco SMARTnet for UCS Service

Product ID (PID)	On Site?	Description
CON-PREM-C220M3SF	Yes	ONSITE 24X7X2 UCS C220 M3 SFF
CON-OSP-C220M3SF	Yes	ONSITE 24X7X4 UCS C220 M3 SFF
CON-OSE-C220M3SF	Yes	ONSITE 8X5X4 UCS C220 M3 SFF
CON-OS-C220M3SF	Yes	ONSITE 8X5XNBD UCS C220 M3 SFF
CON-S2P-C220M3SF	No	SMARTNET 24X7X2 UCS C220 M3 SFF
CON-SNTP-C220M3SF	No	SMARTNET 24X7X4 UCS C220 M3 SFF
CON-SNTE-C220M3SF	No	SMARTNET 8X5X4 UCS C220 M3 SFF
CON-SNT-C220M3SF	No	SMARTNET 8X5XNBD UCS C220 M3 SFF

SMARTnet for UCS Hardware Only Service

For faster parts replacement than is provided with the standard Cisco Unified Computing System warranty, Cisco offers the Cisco SMARTnet for UCS Hardware Only Service. You can choose from two levels of advanced onsite parts replacement coverage in as little as four hours. SMARTnet for UCS Hardware Only Service provides remote access any time to Cisco support professionals who can determine if a return materials authorization (RMA) is required. You can choose a service listed in [Table 25](#).

Table 25 SMARTnet for UCS Hardware Only Service

Product ID (PID)	Service Level GSP	On Site?	Description
CON-UCW7-C220M3SF	UCW7	Yes	UCS HW 24X7X40S UCS C220 M3 SFF
CON-UCW5-C220M3SF	UCW5	Yes	UC PLUS 8X5XNBDOS UCS C220 M3 SFF

Unified Computing Partner Support Service

Cisco Partner Support Service (PSS) is a Cisco Collaborative Services service offering that is designed for partners to deliver their own branded support and managed services to enterprise customers. Cisco PSS provides partners with access to Cisco's support infrastructure and assets to help them:

- Expand their service portfolios to support the most complex network environments
- Lower delivery costs
- Deliver services that increase customer loyalty

Partner Unified Computing Support Options enable eligible Cisco partners to develop and consistently deliver high-value technical support that capitalizes on Cisco intellectual assets. This helps partners to realize higher margins and expand their practice.

PSS is available to all Cisco PSS partners, but requires additional specializations and requirements. For additional information, see the following URL:

www.cisco.com/go/partnerucssupport

The two Partner Unified Computing Support Options include:

- Partner Support Service for UCS
- Partner Support Service for UCS Hardware Only

Partner Support Service for UCS provides hardware and software support, including triage support for third party software, backed by Cisco technical resources and level three support.

See [Table 26](#).

Table 26 Partner Support Service for UCS

Product ID (PID)	Service Level GSP	On Site?	Description
CON-PSJ1-C220M3SF	PSJ1	No	UCS SUPP PSS 8X5XNBD UCS C220 M3 SFF
CON-PSJ2-C220M3SF	PSJ2	No	UCS SUPP PSS 8X5X4 UCS C220 M3 SFF
CON-PSJ3-C220M3SF	PSJ3	No	UCS SUPP PSS 24X7X4 UCS C220 M3 SFF
CON-PSJ4-C220M3SF	PSJ4	No	UCS SUPP PSS 24X7X2 UCS C220 M3 SFF

Partner Support Service for UCS Hardware Only provides customers with replacement parts in as little as two hours. See [Table 27](#).

Table 27 Partner Support Service for UCS (Hardware Only)

Product ID (PID)	Service Level GSP	On Site?	Description
CON-PSW2-C220M3SF	PSW2	No	UCS W PL PSS 8X5X4 UCS C220 M3 SFF
CON-PSW3-C220M3SF	PSW3	No	UCS W PL PSS 24X7X4 UCS C220 M3 SFF
CON-PSW4-C220M3SF	PSW4	No	UCS W PL PSS 24X7X2 UCS C220 M3 SFF

Unified Computing Combined Support Service

Combined Services makes it easier to purchase and manage required services under one contract. SMARTnet services for UCS help increase the availability of your vital data center infrastructure and realize the most value from your unified computing investment. The more benefits you realize from the Cisco Unified Computing System (Cisco UCS), the more important the technology becomes to your business. These services allow you to:

- Optimize the uptime, performance, and efficiency of your UCS
- Protect your vital business applications by rapidly identifying and addressing issues
- Strengthen in-house expertise through knowledge transfer and mentoring
- Improve operational efficiency by allowing UCS experts to augment your internal staff resources
- Enhance business agility by diagnosing potential issues before they affect your operations

You can choose a service listed in [Table 28](#).

Table 28 UCS Computing Combined Support Service

Product ID (PID)	Service Level GSP	On Site?	Description
CON-NCF2-C220M3SF	NCF2	No	CMB SPT SVC 24X7X2 UCS C220 M3 SFF
CON-NCF2P-C220M3SF	NCF2P	Yes	CMB SPT SVC 24X7X2OS UCS C220 M3 SFF
CON-NCF4P-C220M3SF	NCF4P	Yes	CMB SPT SVC 24X7X4OS UCS C220 M3 SFF
CON-NCF4S-C220M3SF	NCF4S	Yes	CMB SPT SVC 8X5X4OS UCS C220 M3 SFF
CON-NCFCS-C220M3SF	NCFCS	Yes	CMB SPT SVC 8X5XNBDOS UCS C220 M3 SFF
CON-NCFE-C220M3SF	NCFE	No	CMB SPT SVC 8X5X4 UCS C220 M3 SFF
CON-NCFP-C220M3SF	NCFP	No	CMB SPT SVC 24X7X4 UCS C220 M3 SFF
CON-NCFT-C220M3SF	NCFT	No	CMB SPT SVC 8X5XNBD UCS C220 M3 SFF

Unified Computing Drive Retention Service

With the Cisco Unified Computing Drive Retention (UCDR) Service, you can obtain a new disk drive in exchange for a faulty drive without returning the faulty drive. In exchange for a Cisco replacement drive, you provide a signed Certificate of Destruction (CoD) confirming that the drive has been removed from the system listed, is no longer in service, and has been destroyed.

Sophisticated data recovery techniques have made classified, proprietary, and confidential information vulnerable, even on malfunctioning disk drives. The UCDR service enables you to retain your drives and ensures that the sensitive data on those drives is not compromised, which reduces the risk of any potential liabilities. This service also enables you to comply with regulatory, local, and federal requirements.

If your company has a need to control confidential, classified, sensitive, or proprietary data, you might want to consider one of the Drive Retention Services listed in [Table 29](#).



NOTE: Cisco does not offer a certified drive destruction service as part of this service.

Table 29 Drive Retention Service Options

Service Description	Service Program Name	Service Level GSP	Service Level	Product ID (PID)
SMARTnet for UCS Service with Drive Retention	UCS DR	UCSD7	24x7x4 Onsite	CON-UCSD7-C220M3SF
		UCSD7	8x5xNBD Onsite	CON-UCSD5-C220M3SF

Table 29 Drive Retention Service Options (*continued*)

Service Description	Service Program Name	Service Level GSP	Service Level	Product ID (PID)
SMARTnet for UCS HW ONLY+Drive Retention	UCS HW+DR	UCWD7	24x7x4 Onsite	CON-UCWD7-C220M3SF
		UCWD5	8x5xNBD Onsite	CON-UCWD5-C220M3SF

For more service and support information, see the following URL:

http://www.cisco.com/en/US/services/ps2961/ps10312/Unified_Computing_Services_Overview.pdf

For a complete listing of available services for Cisco Unified Computing System, see this URL:

http://www.cisco.com/en/US/products/ps10312/serv_group_home.html

OPTIONAL STEP - ORDER RACK(s)

The optional R42610 rack is available from Cisco for the C-Series servers, including the C220 M3 SFF server. This rack is a standard 19-inch rack and can be ordered with a variety of options, as listed in [Table 30](#). Racks are shipped separately from the C220 M3 SFF server.

Table 30 Racks and Rack Options

Product ID (PID)	PID Description
RACK-UCS ^a	Cisco R42610 expansion rack, no side panels
RACK-UCS2 ¹	Cisco R42610 standard rack, w/side panels
RACK-BLANK-001	Filler panels (qty 12), 1U, plastic, toolless
RACK-CBLMGT-001	Cable mgt D rings (qty 10), metal
RACK-CBLMGT-011	Cable mgt straps (qty 10), Velcro
RACK-FASTEN-001	Mounting screws (qty 100), M6
RACK-FASTEN-002	Cage nuts (qty 50), M6
RACK-JOIN-001	Rack joining kit

Notes . . .

- a. Use these same base PIDs to order spare racks (available only as next-day replacements).

For more information about the R42610 rack, see [RACKS, page 77](#).

OPTIONAL STEP - ORDER PDU

An optional power distribution unit (PDU) is available from Cisco for the C-Series rack servers, including the C220 M3 server. This PDU is available in a zero rack unit (RU) style (see [Table 30](#)).

Table 31 PDU Options

Product ID (PID)	PID Description
RP208-30-2P-U-2	Zero RU PDU

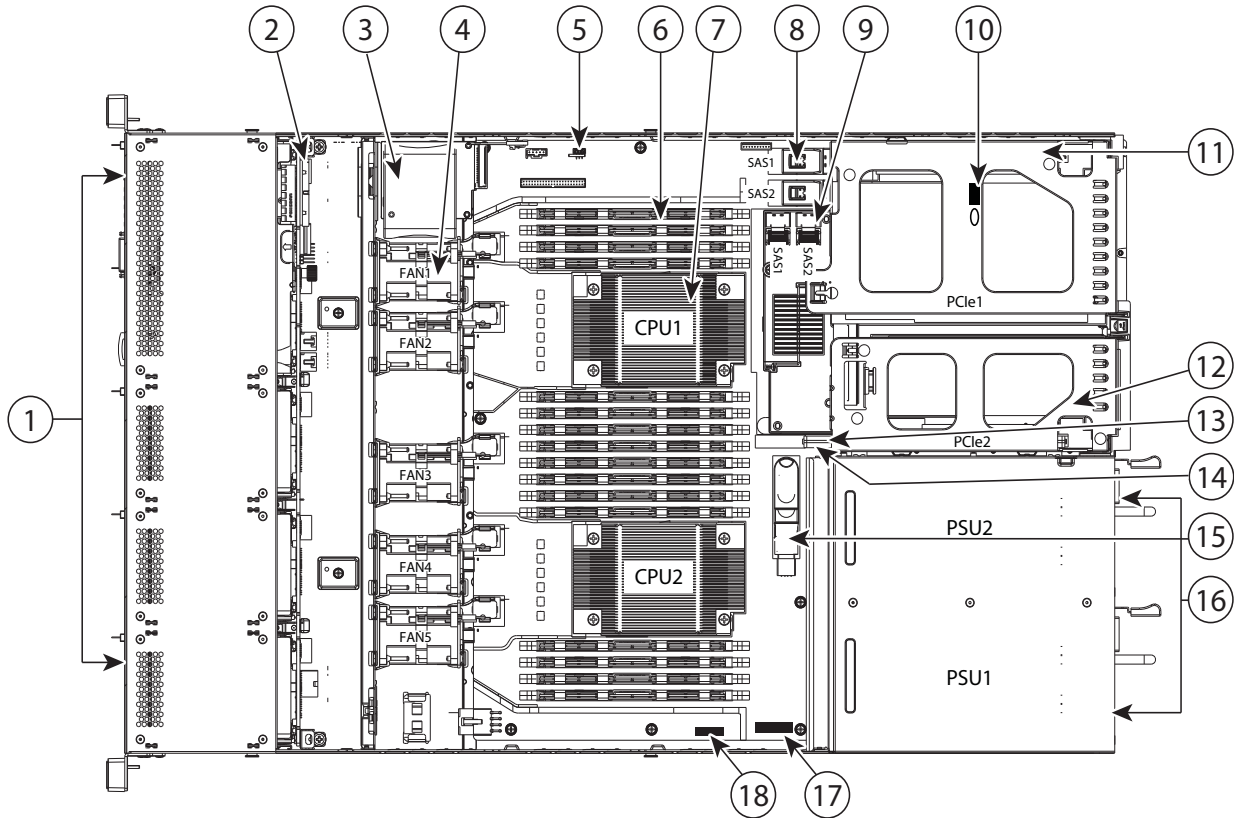
For more information about the PDU, see [PDUs, page 79](#).

SUPPLEMENTAL MATERIAL

CHASSIS

An internal view of the C220 M3 chassis with the top cover removed is shown in *Figure 6*.

Figure 6 C220 M3 SFF With Top Cover Off



1	Drives (hot-swappable, accessed through front panel)	10	Trusted platform module socket on motherboard
2	Drive backplane	11	Standard-profile PCIe riser (PCIe slot 1)
3	SuperCap backup unit mounting location	12	Low-profile PCIe riser (PCIe slot 2)
4	Cooling fans (five)	13	Cisco Flexible Flash SD socket SD2 on PCIe riser 2
5	SCU upgrade ROM header (RAID key).	14	Cisco Flexible Flash SD socket SD1 on PCIe riser 2
6	DIMM slots on motherboard (16)	15	Internal USB port

7	CPUs and heatsinks (two)	16	Power supplies (two, hot-swappable access through rear panel)
8	Integrated RAID on motherboard, and mini-SAS connectors	17	RTC battery on motherboard
9	Mezzanine RAID card, mini-SAS connectors SAS1 and SAS2	18	Software RAID 5 header (RAID key).

CPUs and DIMMs

Physical Layout

Each CPU has four DIMM channels:

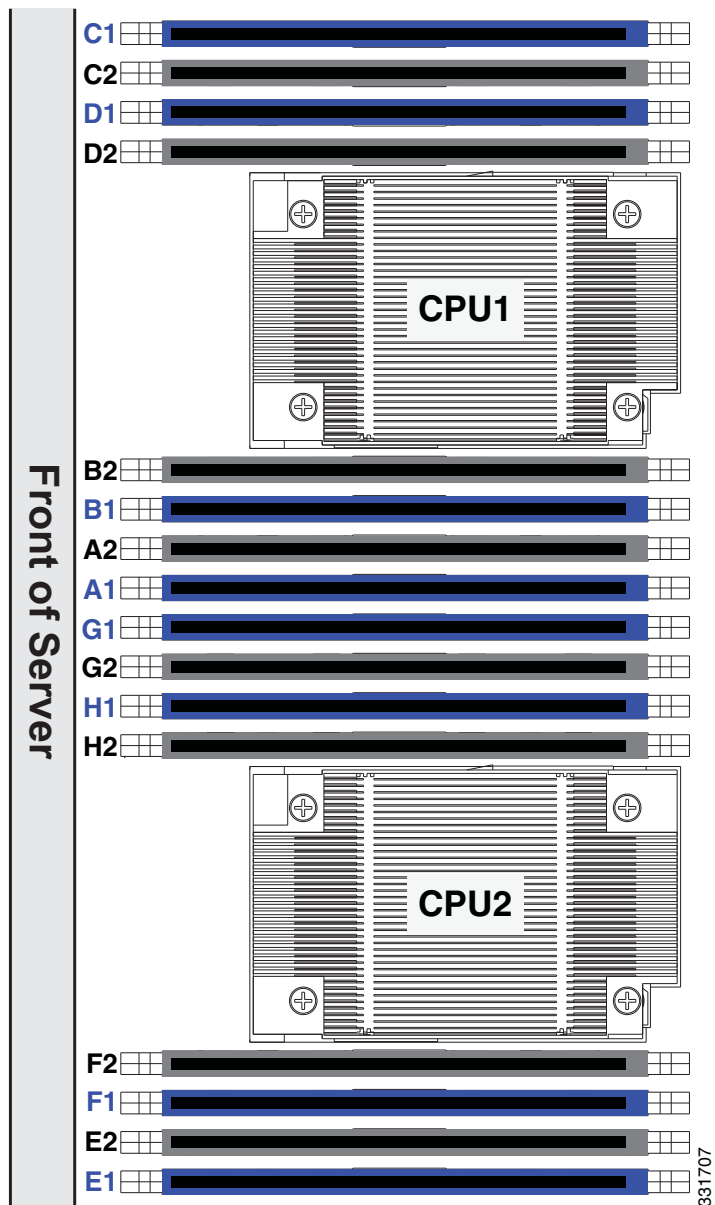
- CPU1 has channels A, B, C, and D
- CPU2 has channels E, F, G, and H

Each DIMM channel has two banks: bank 1 and bank 2. The blue-colored DIMM slots are for bank 1 and the black-colored slots are for bank 2.

As an example, DIMM slots A1, B1, C1, and D1 belong to bank 1, while A2, B2, C2, and D2 belong to bank 2.

Figure 7 shows how banks and channels are physically laid out on the motherboard. The DIMM slots on the right (channels A, B, C, and D) are associated with CPU1, while the DIMM slots on the left (channels E, F, G, and H) are associated with CPU2. The bank 1 (blue) DIMM slots are always located farther away from a CPU than the corresponding bank 2 (black) slots. Bank 1 slots (blue) are populated before bank 2 slots (black).

Figure 7 Physical Layout of CPU DIMM Channels and Banks



Memory Population Rules

When considering the memory configuration of your server, you should consider the following items:

- Each channel has two DIMM slots (for example, channel A = slots A1 and A2).
 - A channel can operate with one or two DIMMs installed.
 - If a channel has only one DIMM, populate slot 1 first (the blue slot).
- When both CPUs are installed, populate the DIMM slots of each CPU identically.
 - Fill blue slots in the channels first: A1, E1, B1, F1, C1, G1, D1, H1
 - Fill black slots in the channels second: A2, E2, B2, F2, C2, G2, D2, H2
- Any DIMM installed in a DIMM socket for which the CPU is absent is not recognized.
- Observe the DIMM mixing rules shown in [Table 32](#)

Table 32 DIMM Rules for C220 M3 Servers

DIMM Parameter	DIMMs in the Same Channel	DIMM in the Same Bank ^a
<u>DIMM Capacity</u>		
RDIMM = 4, 8, or 16 GB	DIMMs in the same channel (for example, A1 and A2) can have different capacities.	For best performance, DIMMs in the same bank (for example, A1, B1, C1, D1) should have the same capacity.
LRDIMM = 32 GB	You cannot mix 32 GB LRDIMMs with any RDIMM or UDIMM	You cannot mix 32 GB LRDIMMs with any RDIMM or UDIMM
UDIMM = 4 GB	You cannot mix 4 GB UDIMMs with any RDIMM or LRIMM	You cannot mix 4 GB UDIMMs with any RDIMM or LRIMM
<u>DIMM Speed</u>		
1866-, 1600-, or 1333-MHz ^b	DIMMs will run at the lowest speed of the DIMMs/CPU installed	DIMMs will run at the lowest speed of the DIMMs/CPU installed
<u>DIMM Type</u>		
RDIMMs, LRDIMMs, or UDIMMs	You cannot mix DIMM types in a channel	You cannot mix DIMM types in a bank
DIMMs per Channel (DPC)	1 DPC or 2 DPC	3 DPC
	See Table 5 on page 20 for valid LRDIMM and RDIMM 1 DPC and 2 DPC memory configurations UDIMMs run at 1066 MHz at 1.35 V and 1333 MHz at 1.5 V	Not supported

Notes . . .

- a. Although you can have different DIMM capacities in the same bank, this will result in less than optimal performance. For optimal performance, all DIMMs in the same bank should be identical.
- b. Only 1866-, 1600-, and 1333-MHz DIMMs are currently available for the C220 M3 server.

DIMM Population Order

Populate the DIMMs for a CPU according to *Table 33*.

Table 33 DIMM Population Order per CPU

DIMMs per CPU	Populate CPU 1 Slots	Populate CPU 2 Slots
1	A1	E1
2	A1, B1	E1, F1
3	A1, B1, C1	E1, F1, G1
4	A1, B1, C1, D1	E1, F1, G1, H1
6 ^a	A1, B1, C1, A2, B2, C2	E1, F1, G1, E2, F2, G2
8	A1, B1, C1, D1, A2, B2, C2, D2	E1, F1, G1, H1, E2, F2, G2, H2

Notes . . .

- a. Not recommended (for performance reasons)

Recommended Memory Configuration

This section explains the recommended DIMM population order rules for the C220 M3 server.

- All DIMMs must be DDR3 DIMMs.
- Do not mix:
 - DIMMs with different clock rates in a channel
 - RDIMMs and LRDIMMs
 - ECC and non-ECC DIMMs
- There are blue and black DIMM slots. Populate blue slots first.
- When single- and dual-rank DIMMs are populated for 2DPC, always populate the dual-rank DIMM in the blue DIMM slot and the single-rank DIMM in the black DIMM slot.

Many memory configurations are possible. For best results, follow [Table 34](#) when populating 1600- and 1866-MHz DIMMs for Intel Xeon E5-2600 v2 CPUs and [Table 35](#) when populating 1600-MHz DIMMs for Intel Xeon E5-2600 CPUs.

Table 34 Recommended Memory Configurations for Intel Xeon E5-2600 v2 CPUs (with 1600- and 1866-MHz DIMMs)^a

Total System Memory Size	CPU 1 DIMMs		CPU 2 DIMMs		DIMM Max Speed (MHz)	Total DIMMs
	Blue Slots Bank 1 (A1,B1, C1,D1)	Black Slots Bank 2 (A2,B2, C2,D2)	Blue Slots Bank 1 (E1,F1, G1,H1)	Black Slots Bank 2 (E2,F2, G2,H2)		
32 GB	4x4 GB	—	4x4 GB	—	N/A ^b	8
	2x8 GB	—	2x8 GB	—	1866	4
64 GB	4x4 GB	4x4 GB	4x4 GB	4x4 GB	N/A ²	16
	4x8 GB	—	4x8 GB	—	1866	8
96 GB	4x8 GB	2x8 GB	4x8 GB	2x8 GB	1866	12
	3x16 GB	—	3x16 GB	—	1866	6
	4x8 GB	4x4 GB	4x8 GB	4x4 GB	N/A ²	16
128 GB	4x8 GB	4x8 GB	4x8 GB	4x8 GB	1866	16
	4x16 GB	—	4x16 GB	—	1866	8
192 GB	4x16 GB	2x16 GB	4x16 GB	2x16 GB	1866	12
	4x16 GB	4x8 GB	4x16 GB	4x8 GB	1866	16
256 GB	4x16 GB	4x16 GB	4x16 GB	4x16 GB	1866	16
	4x32 GB	—	4x32 GB	—	1866	8

Table 34 Recommended Memory Configurations for Intel Xeon E5-2600 v2 CPUs (with 1600- and 1866-MHz DIMMs)^a

Total System Memory Size	CPU 1 DIMMs		CPU 2 DIMMs		DIMM Max Speed (MHz)	Total DIMMs
	Blue Slots Bank 1 (A1,B1, C1,D1)	Black Slots Bank 2 (A2,B2, C2,D2)	Blue Slots Bank 1 (E1,F1, G1,H1)	Black Slots Bank 2 (E2,F2, G2,H2)		
512 GB	4x32 GB ^c	4x32 GB	4x32 GB	4x32 GB	1866	16

Notes . . .

- a. Rows marked in yellow indicate best performance.
- b. 1866-MHz 4 GB DIMMs are not offered.
- c. 32 GB LRDIMMs run in some cases at a maximum speed of 1333 MHz in 2DPC configurations, even though the specified DIMM speed is higher.

Table 35 Recommended Memory Configurations for Intel Xeon E5-2600 CPUs (with 1600-MHz DIMMs)^a

Total System Memory Size	CPU 1 DIMMs		CPU 2 DIMMs		DIMM Max Speed (MHz)	Total DIMMs
	Blue Slots Bank 1 (A1,B1, C1,D1)	Black Slots Bank 2 (A2,B2, C2,D2)	Blue Slots Bank 1 (E1,F1, G1,H1)	Black Slots Bank 2 (E2,F2, G2,H2)		
32 GB	4x4 GB	—	4x4 GB	—	1600	8
	2x8 GB	—	2x8 GB	—	1600	4
64 GB	4x4 GB	4x4 GB	4x4 GB	4x4 GB	1600	16
	4x8 GB	—	4x8 GB	—	1600	8
96 GB	4x8 GB	2x8 GB	4x8 GB	2x8 GB	1600	12
	3x16 GB	—	3x16 GB	—	1600	6
	4x8 GB	4x4 GB	4x8 GB	4x4 GB	1600	16
128 GB	4x8 GB	4x8 GB	4x8 GB	4x8 GB	1600	16
	4x16 GB	—	4x16 GB	—	1600	8
192 GB	4x16 GB	2x16 GB	4x16 GB	2x16 GB	1600	12
	4x16 GB	4x8 GB	4x16 GB	4x8 GB	1600	16
256 GB	4x16 GB	4x16 GB	4x16 GB	4x16 GB	1600	16
	4 x 32 GB ^c	—	4 x 32 GB	—	1600	8

Table 35 Recommended Memory Configurations for Intel Xeon E5-2600 CPUs (with 1600-MHz DIMMs)^a

Total System Memory Size	CPU 1 DIMMs		CPU 2 DIMMs		DIMM Max Speed (MHz)	Total DIMMs
	Blue Slots Bank 1 (A1,B1, C1,D1)	Black Slots Bank 2 (A2,B2, C2,D2)	Blue Slots Bank 1 (E1,F1, G1,H1)	Black Slots Bank 2 (E2,F2, G2,H2)		
512 GB	4x32 GB ^b	4x32 GB	4x32 GB	4x32 GB	1333	16

Notes . . .

a. Rows marked in yellow indicate best performance.

b. 32 GB LRDIMMs run in some cases at a maximum speed of 1333 MHz in 2DPC configurations, even though the specified DIMM speed is higher.

Additional DIMM Populations

The list in [Table 36](#) is not a complete list of all supported DIMM populations, but highlights common configuration options.

Table 36 Supported DIMM Configurations

CPU 1 DIMMs	Total DIMMs for CPU 1	CPU 1 Capacity	CPU 2 DIMMs	Total DIMMs for CPU 2	CPU 2 Capacity	Total Capacity for 2 CPUs
1 x 8 GB	1	8 GB	1 x 8 GB	1	8 GB	16 GB
1 x 16 GB	1	16 GB	1 x 16 GB	1	16 GB	32 GB
2 x 4 GB	2	8 GB	2 x 4 GB	2	8 GB	16 GB
4 x 4 GB	4	16 GB	4 x 4 GB	4	16 GB	32 GB
2 x 8 GB	2	16 GB	2 x 8 GB	2	16 GB	32 GB
6 x 4 GB	6	24 GB	6 x 4 GB	6	24 GB	48 GB
8 x 4 GB	8	32 GB	8 x 4 GB	8	32 GB	64 GB
4 x 8 GB	4	32 GB	4 x 8 GB	4	32 GB	64 GB
8 x 4 GB	8	32 GB	8 x 4 GB	8	32 GB	64 GB
1 x 32 GB	1	32 GB	1 x 32 GB	1	32 GB	64 GB
5 x 8 GB	5	40 GB	5 x 8 GB	5	40 GB	80 GB
3 x 16 GB	3	48 GB	3 x 16 GB	3	48 GB	96 GB
6 x 8 GB	6	48 GB	6 x 8 GB	6	48 GB	96 GB
4x8 GB + 4x4 GB	8	48 GB	4x8 GB + 4x4 GB	8	48 GB	96 GB
7 x 8 GB	7	56 GB	7 x 8 GB	7	56 GB	112 GB
4 x 16 GB	4	64 GB	4 x 16 GB	4	64 GB	128 GB
8 x 8 GB	8	64 GB	8 x 8 GB	8	64 GB	128 GB
2 x 32 GB	2	64 GB	2 x 32 GB	2	64 GB	128 GB
5 x 16	5	80 GB	5 x 16	5	80 GB	160 GB
4x16 GB + 4x4 GB	8	80 GB	4x16 GB + 4x4 GB	8	80 GB	160 GB
6 x 16 GB	6	96 GB	6 x 16 GB	6	96 GB	192 GB
4x8 GB + 4x16 GB	8	96 GB	4x8 GB + 4x16 GB	8	96 GB	192 GB
3 x 32 GB	3	96 GB	3 x 32 GB	3	96 GB	192 GB
7 x 16 GB	7	112 GB	7 x 16 GB	7	112 GB	224 GB
8 x 16 GB	8	128 GB	8 x 16 GB	8	128 GB	256 GB
4 x 32 GB	4	128 GB	4 x 32 GB	4	128 GB	256 GB
8 x 32 GB	8	256 GB	8 x 32 GB	8	256 GB	512 GB

Low-Voltage DIMM Considerations

The C220 M3 server can be ordered with dual-voltage (1.5/1.35 V) DIMMs only. Note the following considerations:

- Low-voltage DIMMs within the server must have the identical manufacturer, type, speed, and size.
- Low-voltage DIMMs and standard-voltage DIMMs can be mixed in the same server. Note that this causes the system BIOS to default to standard-voltage operation (Performance Mode). That is, the server cannot operate in Power Saving Mode unless all DIMMs are low-voltage DIMMs.
- CPUs that have a maximum memory frequency less than 1333 MHz support low-voltage DIMMs operating in Power Saving Mode only, and do not support Performance Mode.

RAID Details

The available RAID configurations are shown in this section.

(1) 1-CPU Configurations

Mezzanine cards are not supported for 1-CPU configurations, Therefore, only the following RAID controllers are supported for single-CPU configurations. Select one of these:

- An embedded RAID controller (on motherboard) from [Table 6 on page 23](#)
- One internal drive RAID controller (slot 1 only) from [Table 8 on page 24](#)
- One external drive RAID controller (slot 1 only) from [Table 8 on page 24](#)



NOTE: PCIe slot 2 is not supported for 1-CPU configurations



NOTE: In 1-CPU configurations, PCIe slot 1 is the default slot supported for an internal drive RAID controller. PCIe slots 1 or 2 can be used for one external drive RAID controller or for PCIe expansion cards. You can change the default card slot for a RAID controller to a different slot by going into the BIOS and reconfiguring the option ROM (OPROM) settings.

You may also select an appropriate optional RAID configuration listed in [Table 8 on page 24](#)

(2) 2-CPU Configurations

Select one of the following:

- An embedded RAID controller (on motherboard) from [Table 6 on page 23](#)
- One mezzanine RAID controller from [Table 7 on page 23](#)
- One internal drive RAID controller (slot 2) from [Table 8 on page 24](#)
- One external drive RAID controller (slot 1 or 2) from [Table 8 on page 24](#)
- One mezzanine RAID controller from [Table 7 on page 23](#) and one external drive RAID controller (slot 1 or 2) from [Table 8 on page 24](#)



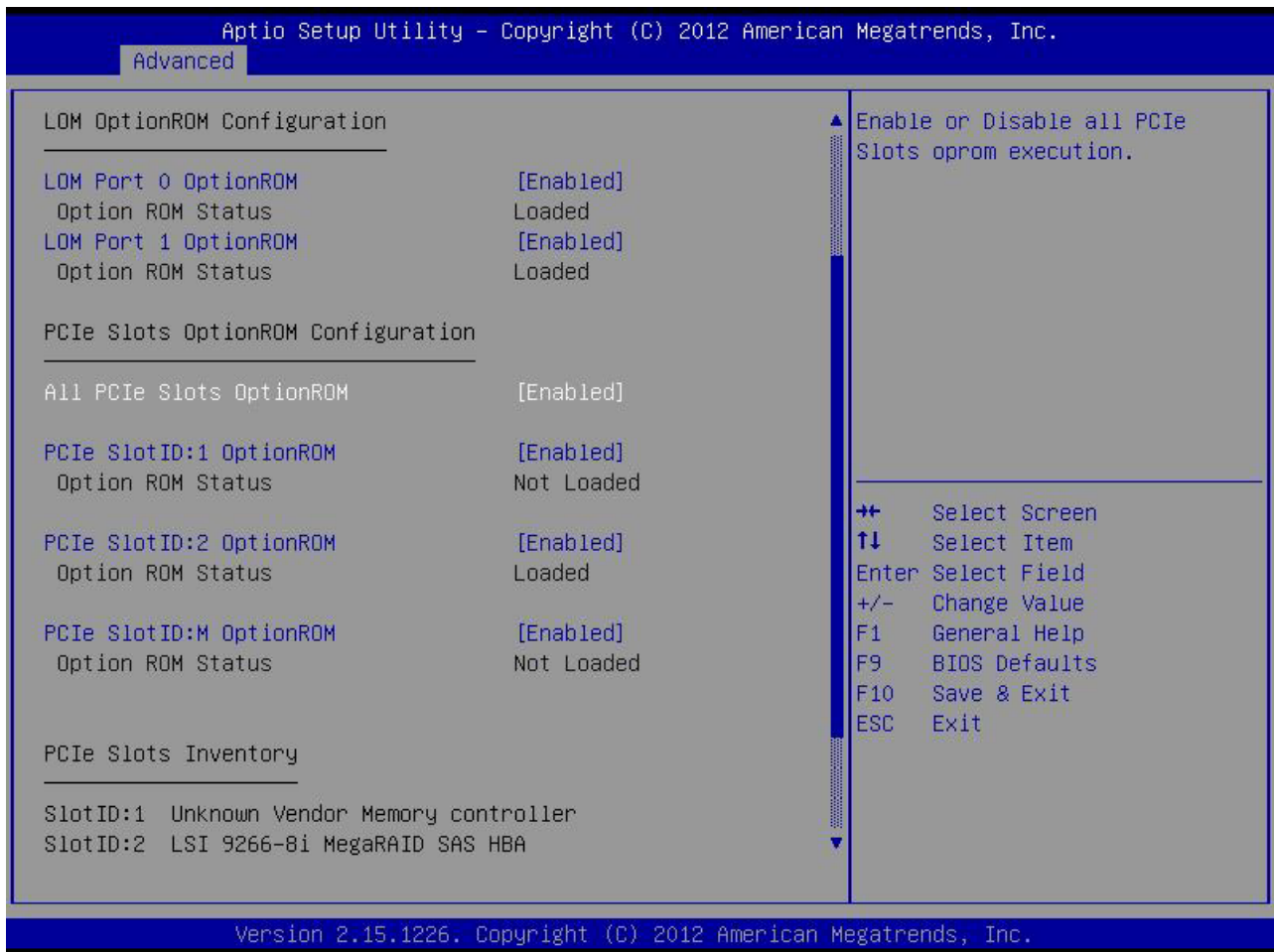
NOTE: In 2-CPU configurations, PCIe slot 2 is the default slot supported for an internal drive RAID controller. Slot 1 or slot 2 can be used for one external drive RAID controller or PCIe expansion cards. You can change the default card slot for a RAID controller to a different slot by going into the BIOS and reconfiguring the option ROM (OPROM) settings.

You may also select an appropriate optional RAID configuration listed in [Table 8 on page 24](#)

RAID Option ROM (OPROM) Settings

The server contains an Option ROM (OPROM) for the PCIe slots. The server has a finite amount of option ROM with which it can boot up devices. Go into the BIOS and disable the OPROM on the PCIe slots not used for booting so that resources are available for the slots that are used for booting. An example OPROM BIOS screen is shown in *Figure 8*.

Figure 8 Example BIOS Screen for OPROM

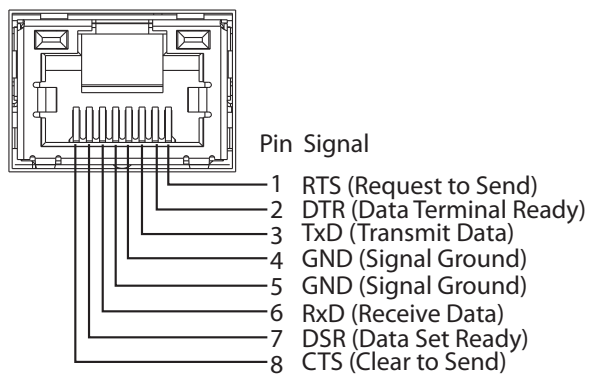


Serial Port Details

The pinout details of the rear RJ-45 serial port connector are shown in *Figure 9*.

Figure 9 Serial Port (Female RJ-45 Connector) Pinout

Serial Port (RJ-45 Female Connector)



Upgrade and Servicing-Related Parts

This section lists the upgrade and servicing-related parts you may need during the life of your server. Some of these parts are configured with every server, and some may be ordered when needed or may be ordered and kept on hand as spares for future use. See [Table 37](#).

Table 37 Upgrade and Servicing-related Parts for UCS C220 M3 SFF Server


Spare Product ID (PID)	Description
N20-BBLKD=	2.5-inch HDD Blanking Panel ^a
UCSC-CABLE1=	Set of two (2) SAS/SATA Cables for C220 M3 SFF (2.5-in)
UCSC-PCIF-01H=	PCIe Low Profile blanking panel for UCS C-Series Server
UCSC-PCIF-01F=	PCIe Full Height blanking panel for UCS C-Series Server
UCSC-HS-C220M3=	Heat Sink for UCS C220 M3 Rack Server ¹
UCS-CPU-LPCVR=	CPU load plate dust cover (for unpopulated CPU sockets)
UCSC-AIRBAF-C220=	Air Baffle Replacement Kit for C220 M3 Server ¹
N20-MBLIBATT=	Replacement Lithium Battery for Server Motherboard (CR2032) ¹
UCS-RAID-BBU=	Battery Back-Up for 9266 ^b
 CAUTION: If one of your RAID cards is equipped with a battery backup unit (BBU), be aware that hot swapping the BBU is not supported. Please perform a graceful shutdown of the server prior to replacing the BBU.	
UCS-RAID-CV-SC=	LSI CacheVault Power Module for 9266CV-8i, 9271CV-8i, 9285CV-8e and 9286CV-8e ^c
UCSC-PSU-BLKP=	Power supply blanking panel/filler for C-Series Servers
UCSC-CMA1=	Reversible Cable Management Arm for C220 rack servers
UCSC-RAIL1=	Rail Kit for C220 rack servers
UCSC-RAIL1-I=	Inner rail spare for C220 ^d
UCS-SD-32G-S=	Blank SD Card for UCS servers ^e
UCS-USBFLSH-S-4GB=	4GB SLC Flash USB Drive (shorter) for all servers except C260
N20-BKVM=	KVM local IO cable for UCS servers console port ^f
UCS-CPU-EP-PNP=	Pick n place CPU tools for M3/EP 10/8/6/4/2 core CPUs (Green) ^g

Table 37 Upgrade and Servicing-related Parts for UCS C220 M3 SFF Server

Spare Product ID (PID)	Description
UCS-CPU-EP2-PNP=	Pick n place CPU tools for M3/EP v2 12 core CPUs (Purple) ^h
UCS-CPU-GREASE2=	Thermal grease-for 2 CPUs-only for C220/C240-Red tip syringe ⁸
UCSX-HSCK=	UCS Processor Heat Sink Cleaning Kit (when replacing a CPU) ⁸

Notes . . .

- a. This part is included/configured with your UCS server (in some cases, as determined by the configuration of your server).
- b. If your server contains an LSI MegaRAID SAS 9266-8i RAID controller card with battery backup (UCS-RAID-9266), the card contains a battery backup unit (UCS-RAID-BBU), which can be replaced. If your server contains an LSI MegaRAID SAS 9266-8i RAID controller card without a battery backup unit (UCS-RAID-9266NB), the card does not contain a battery backup unit (UCS-RAID-BBU); however, you can retrofit the card with a battery backup if desired. Note that you *cannot* retrofit a UCS-RAID-9266NB or UCS-RAID-9266 RAID card with an LSI Cachevault Power Module (also known as a Supercap).
- c. You can order a replacement only for the RAID cards listed. You cannot retrofit a UCS-RAID-9266NB or UCS-RAID-9266 RAID card with an LSI Cachevault Power Module (also known as a Supercap)
- d. The server is shipped with the inner rail attached to the chassis.
- e. This SD card is blank. The required image for the C220 server can be downloaded to the card.
- f. This part is included/configured with the server chassis.
- g. This part is included with the purchase of each optional or spare Intel Xeon E5-2600 CPU processor kit.
- h. This part is included with the purchase of each optional or spare Intel Xeon E5-2600 v2 CPU processor kit.

Drive Blanking Panels

A drive blanking panel (N20-BBLKD=) must be installed if you remove a disk drive from a UCS server. These panels are required to maintain system temperatures at safe operating levels, and to keep dust away from system components.

Upgrading your Server from Intel Xeon E5-2600 to Intel Xeon E5-2600 v2 CPUs (or downgrading from Intel Xeon E5-2600 v2 to Intel Xeon E5-2600 CPUs)

See the following link:

http://www.cisco.com/en/US/docs/unified_computing/ucs/hw/CPU/IVB/install/IVB-B.html

Adding an Additional CPU (with CPU heat sink)

All Cisco UCS two CPU socket-capable servers can be upgraded from having one to having two CPUs configured. You will need to order and install a heat sink when adding any additional CPU to a server. Instructions for installing the new CPU and heat sink can be found at the following link:

http://www.cisco.com/en/US/docs/unified_computing/ucs/c/hw/C220/install/replace.html#wp1233864

Motherboard Lithium Battery

You can order a replacement motherboard battery. Installation instructions are found at this link:

http://www.cisco.com/en/US/docs/unified_computing/ucs/c/hw/C220/install/replace.html#wp1235772

CPU Removal and Installation (“pick n place”) Tool Set

The Pick n Place tool set includes two tools:

- Pick and pull cap tool - used to pull off the plastic protective cap covering an empty CPU socket and to remove or lift a CPU processor without touching it
- Pick and place tool - used to install a CPU in its socket without damage. Must be used each time a CPU is installed in a UCS “M3” server.

Instructions for using this tool set are found at the following link:

http://www.cisco.com/en/US/docs/unified_computing/ucs/c/hw/C220/install/replace.html#wp1233864



NOTE: When you purchase a spare CPU, the Pick n Place Toolkit is included.

Thermal Grease (with syringe applicator) for CPU to Heatsink Seal

Thermal grease must be applied to the top of the CPU where it comes in contact with the heat sink. Instructions for applying thermal grease are found at:

http://www.cisco.com/en/US/docs/unified_computing/ucs/c/hw/C220/install/replace.html#wp1233864



CAUTION: Use only the thermal grease specified for this server (UCS-CPU-GREASE2=). This thermal grease comes in a red-tipped syringe and is to be used only in the C220 M3 and C240 M3 servers. Other servers use thermal grease in a blue-tipped syringe (UCS-CPU-GREASE=).

Thermal grease for other systems may have different thermal conductivity properties and may cause overheating if used in the C220 M3 or C240 M3 servers.

DO NOT use thermal grease available for purchase at any commercial electronics store. If these instructions are not followed, the CPU may overheat and be destroyed.



NOTE: When you purchase a spare CPU, the thermal grease with syringe applicator is included.

Air Baffle Replacement Kit

Air baffles are designed to direct airflow through the server to maintain server temperature at a safe operating level. These baffles must always remain installed during server operation. The Air Baffle Replacement Kit includes the air baffles needed for one UCS C220 M3 server.

CPU Heat Sink Cleaning Kit

The cleaning kit is used to remove the existing thermal compound from the bottom of the heat sink during a CPU replacement process. Instructions for cleaning are found at the following link:

http://www.cisco.com/en/US/docs/unified_computing/ucs/c/hw/C220/install/replace.html#wp1233864



NOTE: When you purchase a spare CPU, the CPU cleaning kit is included.

RACKS

The Cisco R42610 rack (see [Figure 10](#)) is certified for Cisco UCS installation at customer sites and is suitable for the following equipment:

- Cisco UCS B-Series servers and fabric interconnects
- Cisco UCS C-Series and select Nexus switches

The rack is compatible with hardware designed for EIA-standard 19-inch racks. Rack specifications are listed in [Table 38](#).

Table 38 Cisco R42610 Rack Specifications

Parameter	Standard Rack	Expansion Rack
Dimensions (H x W x D)	78.74 x 24 x 43.38 in. (2000 x 610 x 1102 mm)	78.74 x 23.58 x 43.38 in. (2000 x 599 x 1102 mm)
Dimensions (H x W x D) with packaging	89 x 33 x 47 in. (2261 x 838 x 1194 mm)	89 x 33 x 47 in. (2261 x 838 x 1194 mm)
Distance from front mounting rail to rear mounting rail	29.2 in (741 mm)	29.2 in (741 mm)
Weight	299.83 lb (136 kg)	231.49 lb (105 kg)
Weight with packaging	354 lb (161 kg)	284 lb (129 kg)
Side panels included	Yes	No
Equipment mounting capacity	42RU	42RU
Static load capacity	2100 lb (954 kg)	2100 lb (954 kg)
Dynamic load capacity	Not applicable	Not applicable



NOTE: The AC input connector is an IEC 320 C-14 15 A/250 VAC power inlet.

Figure 10 Cisco R42610 Rack



Front view - door closed



Front view - door open



Front view - door removed

PDU

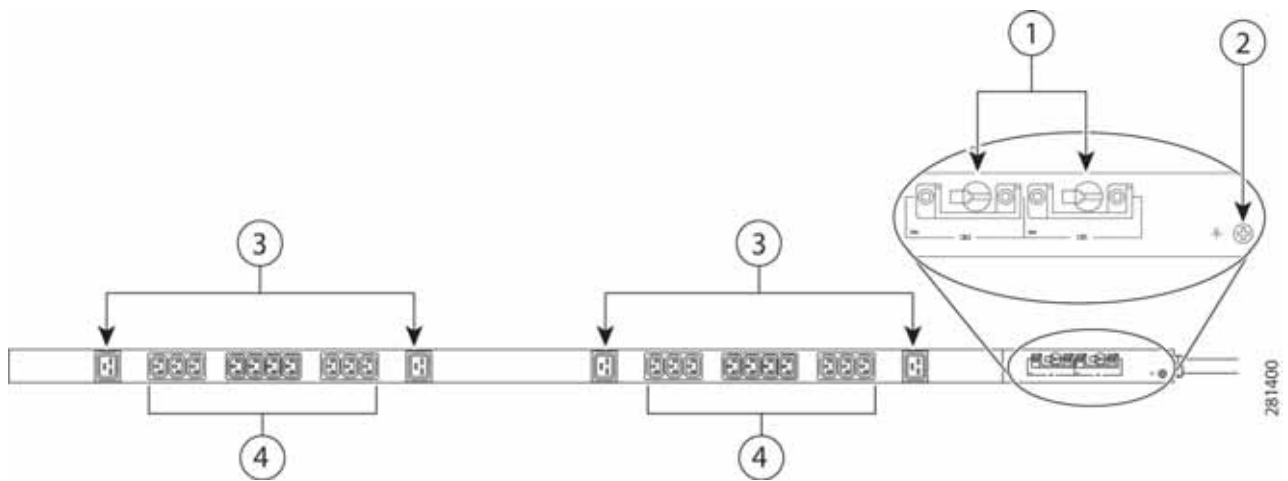
Cisco RP Series Power Distribution Units (PDUs) offer power distribution with branch circuit protection.

Cisco RP Series PDU models distribute power to up to 24 outlets. The architecture organizes power distribution, simplifies cable management, and enables you to move, add, and change rack equipment without an electrician.

With a Cisco RP Series PDU in the rack, you can replace up to two dozen input power cords with just one. The fixed input cord connects to the power source from overhead or under-floor distribution. Your IT equipment is then powered by PDU outlets in the rack using short, easy-to-manage power cords.

The C-series severs accept the zero-rack-unit (ORU) PDU. See [Figure 11](#)).

Figure 11 Zero Rack Unit PDU (PID = RP208-30-2P-U-2)



1	Breakers	3	C19 plugs
2	Ground connection	4	C13 plugs

Cisco RP Series PDU models provide two 20-ampere (A) circuit breakers for groups of receptacles. The effects of a tripped circuit are limited to a receptacle group. Simply press a button to reset that circuit.

KVM CABLE

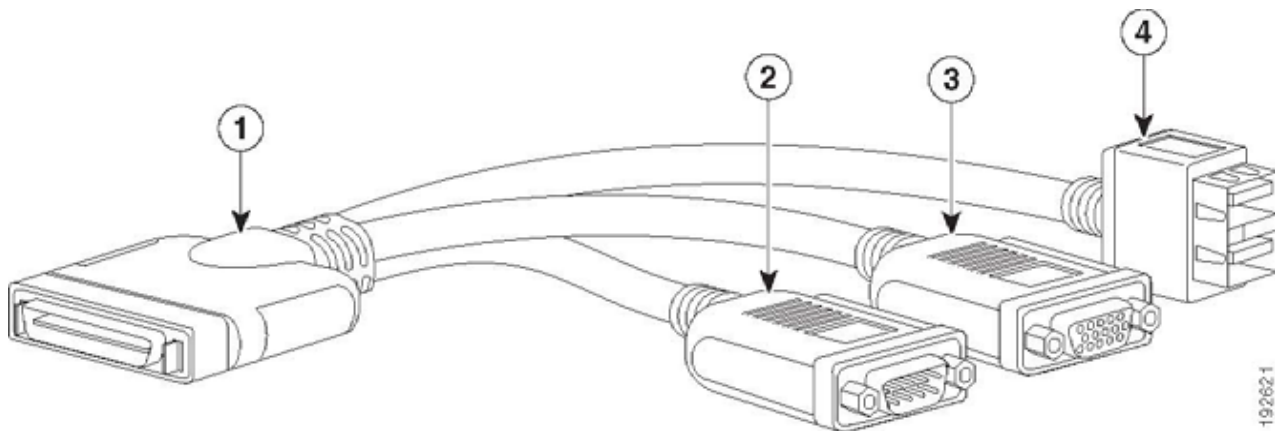
The KVM cable provides a connection into the server, providing a DB9 serial connector, a VGA connector for a monitor, and dual USB ports for a keyboard and mouse. With this cable, you can create a direct connection to the operating system and the BIOS running on the server.

The KVM cable ordering information is listed in *Table 39*.

Table 39 KVM Cable

Product ID (PID)	PID Description
N20-BKVM	KVM cable for B-Series Blade Server console port

Figure 12 KVM Cable

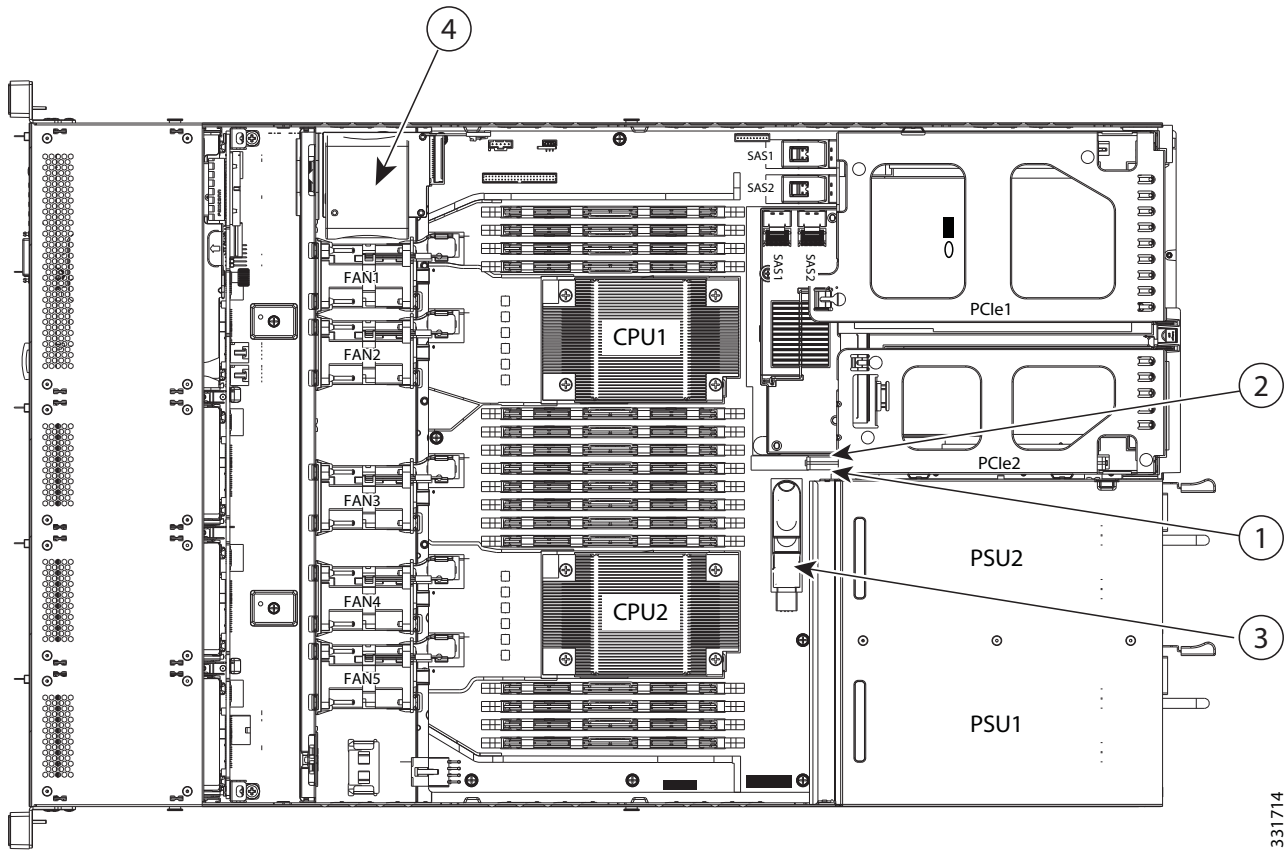


1	Connector (to server front panel)	3	VGA connector (for a monitor)
2	DB-9 serial connector	4	Two-port USB connector (for a mouse and keyboard)

Motherboard USB and SD Ports, and RAID Card Backup Location

The C220 M3 SFF motherboard has a general-purpose USB socket, and two SD sockets as shown in *Figure 13*. The mounting location for the RAID SuperCap data cache power backup module is also shown.

Figure 13 Motherboard USB and SD Ports and RAID Card Super Capacitor Location



331714

1	SD1 socket	3	USB connector
2	SD2 socket	4	SuperCap module mounting location

TECHNICAL SPECIFICATIONS

Dimensions and Weight

Table 40 UCS C220 M3 Dimensions and Weight

Parameter	Value
Height	1.7 in. (4.32 cm)
Width	16.92 in. (43.0 cm)
Depth	28.5 in. (72.4cm)
Front Clearance	3 in. (76 mm)
Side Clearance	1 in. (25 mm)
Rear Clearance	6 in. (152 mm)
Weight	
Maximum (8 HDDs, 2 CPUs, 16 DIMMs, 2 power supplies)	35.6 lbs (16.2 kg)
Minimum (1 HDD, 1 CPU, 1 DIMM, 1 power supply)	26.8 lbs (12.1 kg)
Bare (0 HDD, 0 CPU, 0 DIMM, 1 power supply)	22 lbs (10 kg)

Power Specifications

The general power specifications for the C220 M3 SFF server 450 W (AC) power supply are listed in [Table 41](#).

Table 41 UCS C220 M3 SFF 450 W Power Supply Specifications

Description	Specification
AC input voltage	90 to 264 VAC self-ranging, 100 to 120 VAC nominal 200 to 240 VAC nominal
AC input frequency	Range: 47 to 63 Hz (single phase, 50 to 60 Hz nominal)
Maximum AC input current	6.0 A peak at 100 VAC 3.0 A peak at 208 VAC
Maximum AC inrush current	11 A
Maximum output power for each power supply	450 W

Table 41 UCS C220 M3 SFF 450 W Power Supply Specifications (*continued*)

Description	Specification
Power supply output voltage	Main power: 12 VDC Standby power: 12 VDC
Power supply efficiency	CSCI Platinum



NOTE: AC input connector is an IEC 320 C-14 15A/250VAC power inlet.

The general power specifications for the C220 M3 SFF server 650 W (AC) power supply are listed in [Table 42](#).

Table 42 UCS C220 M3 SFF 650 W AC Power Supply Specifications

Description	Specification
AC input voltage	90 to 264 VAC self-ranging, 100 to 120 VAC nominal 200 to 240 VAC nominal
AC input frequency	Range: 47 to 63 Hz (single phase, 50 to 60 Hz nominal)
Maximum AC input current	7.6 A peak at 100 VAC 3.65 A peak at 208 VAC
Maximum AC inrush current	11 A
Maximum output power for the power supply	650 W
Power supply output voltage	Main power: 12 VDC Standby power: 12 VDC
Power supply efficiency	CSCI Platinum



NOTE: AC input connector is an IEC 320 C-14 15A/250VAC power inlet.

The general power specifications for the C220 M3 SFF server 930 W (DC) power supply are listed in [Table 43](#)

Table 43 UCS C240 M3 SFF Power Specifications (930 W DC power supply)

Description	Specification
Class	■ RSP1
Input	
DC input voltage range	■ 40 to 72 VDC (self-ranging, 48 to 60 VDC nominal)
DC line input current (steady state)	■ 23 A peak at 48 VDC
Output	
12 V main power output	■ 930 W
12 V standby power output	■ 30 W
Power supply output voltage	■ Main power: 12 VDC ■ Standby power: 12 VDC
Rated output load	■ 2.5 A minimum (within 40 - 72 VDC range)

Table 44 UCS C240 M3 SFF Power Specifications (930 W DC V2 power supply)

Description	Specification
AC input voltage	Voltage Range: -48 to -60 VDC nominal (range: -40 to -60 VDC)
Max DC Input current	23 A at -48 VDC
Maximum Input Power	1104 W at -48 VDC
Maximum output power per power supply	930 W
Maximum inrush current	35 A (sub cycle duration)
Maximum hold up time	4 ms @ 930 W
Power supply output voltage	12 VDC
Power supply standby voltage	12 VDC
Efficiency rating	> 92% at 50% Load
Form Factor	RSP1

Table 44 UCS C240 M3 SFF Power Specifications (930 W DC V2 power supply) *(continued)*

Description	Specification
Input connector	3 wire Connector (Molex MINIFIT SR. R/A)

For configuration-specific power specifications, use the Cisco UCS Power Calculator at this URL:

<http://ucspowercalc.cisco.com>

Environmental Specifications

The power specifications for the C220 M3 server are listed in [Table 45](#).

Table 45 UCS C220 M3 Environmental Specifications

Parameter	Minimum
Temperature operating	41 to 104° F (5 to 40° C) derate the maximum temperature by 1° C per every 305m of altitude above sea level
Temperature nonoperating	-40 to 149° F (-40 to 65° C)
Humidity (RH) nonoperating, non-condensing	10 to 90%
Altitude operating	0 to 3,000 m (0 to 10,000 ft.)
Altitude nonoperating	0 to 12,192 m (0 to 40,000 ft.)
Sound Power level, Measure A-weighted per ISO7779 LWAd (Bels) Operation at 73° F (23° C)	5.4
Sound Pressure level, Measure A-weighted per ISO7779 LpAm (dBA) Operation at 73° F (23° C)	37

Compliance Requirements

The regulatory compliance requirements for C-Series servers are listed in [Table 46](#).

Table 46 UCS C-Series Regulatory Compliance Requirements

Parameter	Description
Regulatory Compliance	Products should comply with CE Markings per directives 2004/108/EC and 2006/95/EC
Safety	UL 60950-1 Second Edition CAN/CSA-C22.2 No. 60950-1 Second Edition EN 60950-1 Second Edition IEC 60950-1 Second Edition AS/NZS 60950-1 GB4943 2001
EMC - Emissions	47CFR Part 15 (CFR 47) Class A AS/NZS CISPR22 Class A CISPR22 Class A EN55022 Class A ICES003 Class A VCCI Class A EN61000-3-2 EN61000-3-3 KN22 Class A CNS13438 Class A
EMC - Immunity	EN55024 CISPR24 EN300386 KN24



Americas Headquarters
Cisco Systems, Inc.
San Jose, CA

Asia Pacific Headquarters
Cisco Systems (USA) Pte. Ltd.
Singapore

Europe Headquarters
Cisco Systems International BV Amsterdam,
The Netherlands

Cisco has more than 200 offices worldwide. Addresses, phone numbers, and fax numbers are listed on the Cisco Website at www.cisco.com/go/offices.

Cisco and the Cisco Logo are trademarks of Cisco Systems, Inc. and/or its affiliates in the U.S. and other countries. A listing of Cisco's trademarks can be found at www.cisco.com/go/trademarks. Third party trademarks mentioned are the property of their respective owners. The use of the word partner does not imply a partnership relationship between Cisco and any other company. (1005R)