

SW-504 Industrial Unmanaged Ethernet Switch 4 Ports

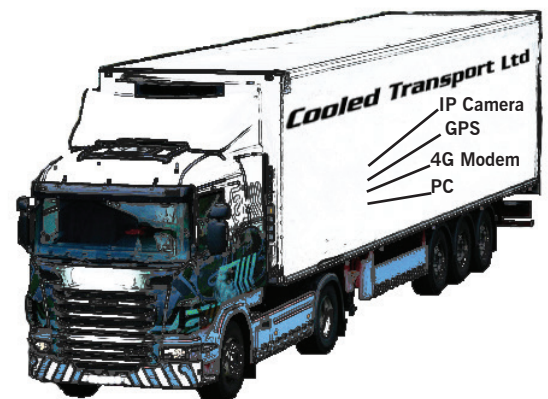
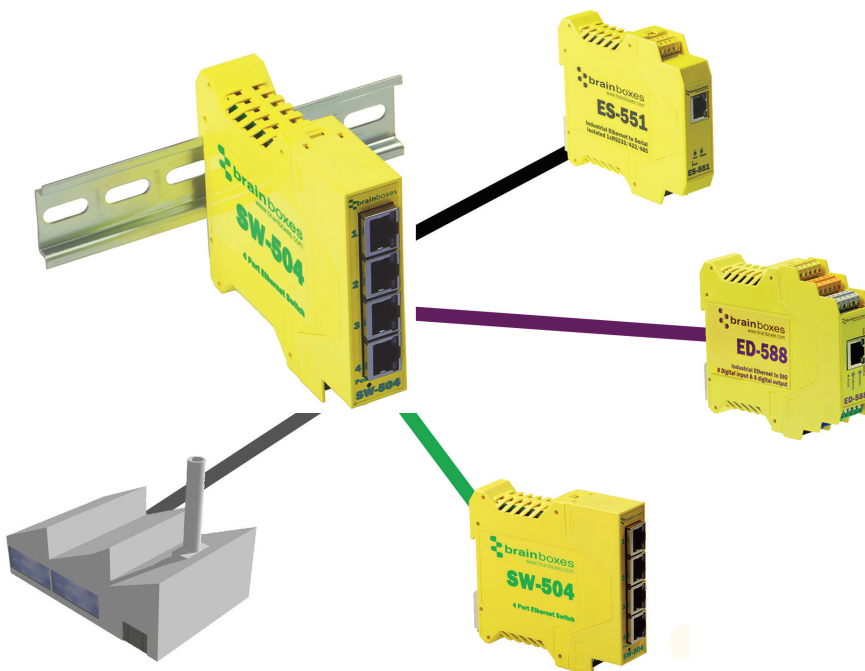
SW-504

- DIN mountable 4 Port Ethernet Switch
- Galvanically Isolated Ports
- Redundant dual power inputs: +5V to +30V DC
- Down to -40°C/F operating temperature
- Ideal for factory floor, in vehicle and marine applications

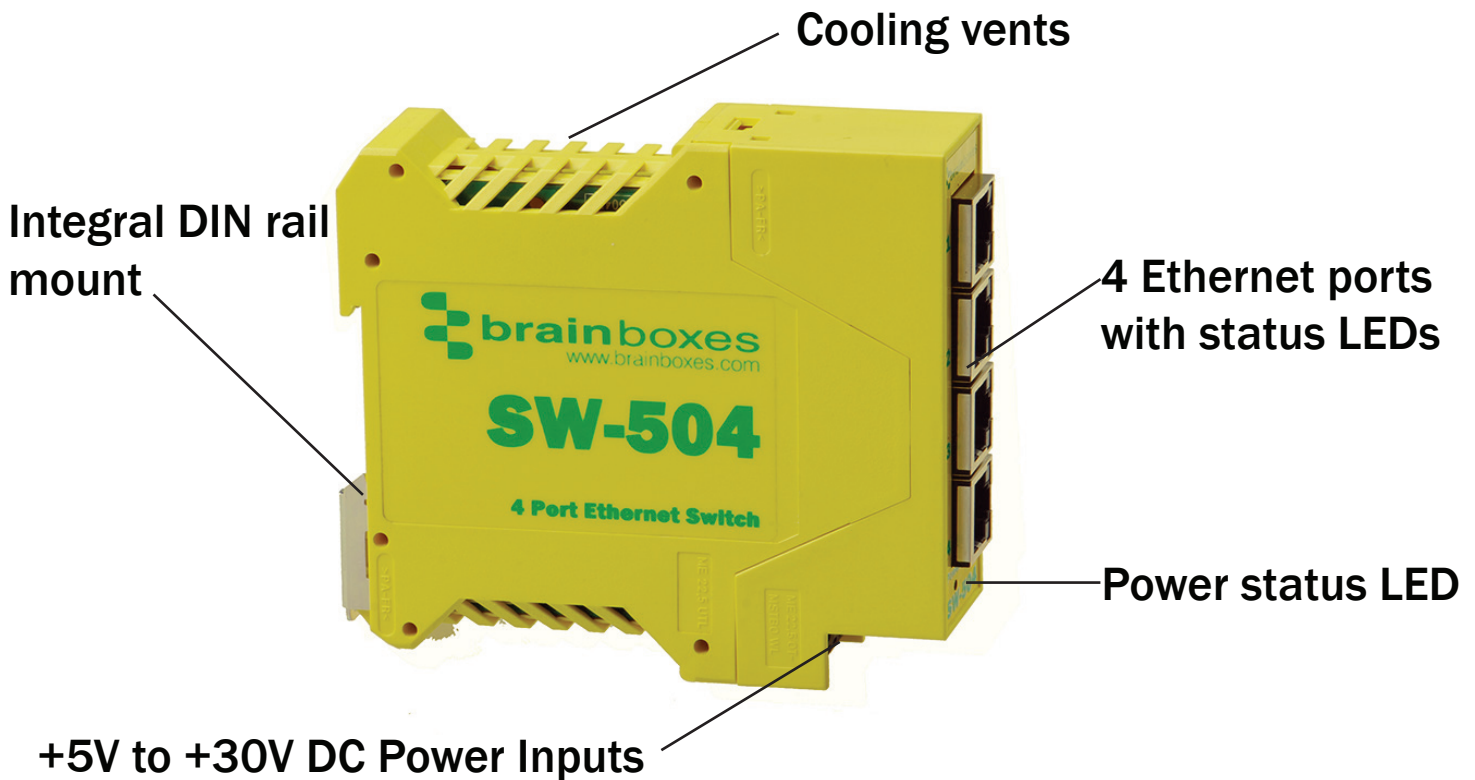


Connect and Extend your Network

+5 to +30 Volt Power Input enables the device to be run from a standard car battery - ideal for in vehicle applications



Connect, Configure, Control



Slim Shape:
Small foot print for when DIN rail space is a premium
Only 23mm wide
Functional earth connection to the DIN rail and non conducting case.



Extended Temperature Range:
-40°C to +80°C operating range copes with changing temperatures for harsh environments.



Brainboxes' Easy Wire Feature:
Removable screw terminal blocks with numbered pins makes wiring to power supply easier and quicker.



Redundant Dual Power Input:
A second power supply can be fitted as a back-up to prevent down time should one power source fail.

SW-504 4 Port Unmanaged Ethernet Switch

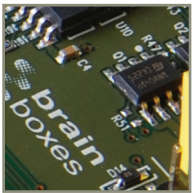


Wide Range Input Power Supply:

+5VDC to +30VDC accommodates variation in the +24VDC factory floor and allows alternative power sources. Ideal for in vehicle applications or on board boats and yachts.



Can use 5 Volt power from any USB port via optional accessory cable PW-650 - Useful for testing the device from a laptop in the field.



Galvanically isolated:

Each Ethernet port is galvanically isolated from the other Ethernet ports and from the power supply.



HP Auto MDI/MDIX crossover support

Auto-MDI/MDIX eliminates the need for cross-over cable thus reducing installation costs. All Ethernet ports are Auto MDIX and so straight through or crossover Ethernet cables can be used to connect to your Ethernet devices. Easy to use.



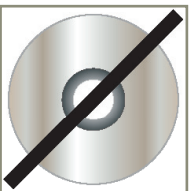
2k Byte maximum packet size – improves the efficiency of bulk data transfer and system performance

Automatic detection of data transmission speed: 10 or 100 MBps



Power consumption is optimised based on the status of the link device.

Energy detect power down for when the cable is not plugged in and power down/slow oscillator mode when the device is not in use.



No software needed:

Simply plug any ethernet cable into one of the Ethernet ports on the device to connect it.



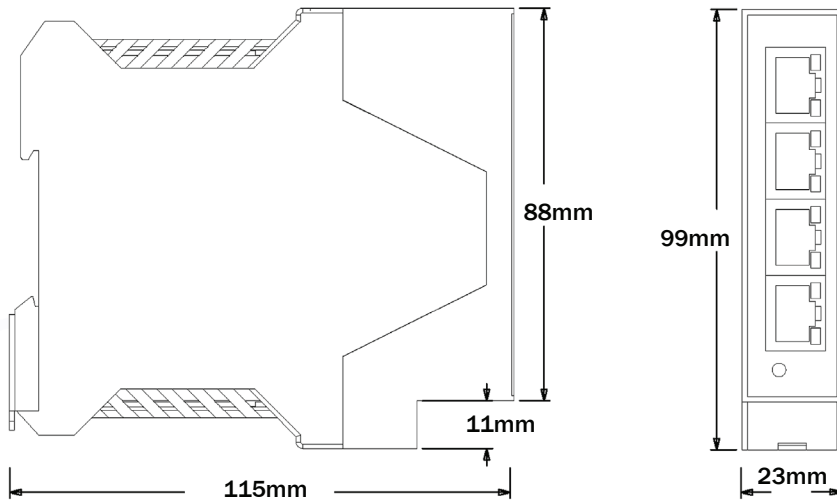
Lifetime Warranty and Support:

We can help with every aspect of your project, from getting you up and running to custom application.

SW-504 4 Port Unmanaged Ethernet Switch

Housing

IP-20 rated non-conducting polyamide case with integrated DIN rail mount



Power Terminal Pin Outs

PIN	FUNCTION
1	-V
2	+VA
3	+VB
4	-V
5	Functional Earth

Ethernet Ports x4 Pin Outs

PIN	FUNCTION
1	RD+ / TD+
2	RD- / TD-
3	TD+ / RD+
4	NC
5	NC
6	TD- / RD-
7	NC
8	NC

Connectors

Screw Terminals 3.5mm pitch, #22 - #14, 0.5mm²-2.5mm² pin power supply
 Wire Thickness 0.150 inch, 3.81mm, 20 pins, 12+8 screw terminals, #26 - #16 AWG, 0.14mm²-1.3mm²

Power Supply

Power Consumption 1.1 Watts Max : 220 mAmps@+5VDC/36mAmps@+30VDC
 Power Supply input unregulated +5V to +30Volts DC, reverse polarity protection
 Isolation 1500VRMS Magnetic isolation from Ethernet

Environmental

Operating Temperature -40°C to +80°C
 Storage Temperature -40°C to +85°C
 Ambient Relative Humidity 5 to 95% (non-condensing)

Magjack LED Information

Link/Activity LED	Solid green	Connection established
	Flashing Green	Data communication
Speed LED	Green	100Base-Tx
	Unlit	10Base-T

Ethernet

Ethernet Port 4 x RJ45 jack, 10/100Mhz autosensing, crossover auto sensing (Auto MDIX)
 Protection 1,500Volts magnetic isolation between ports and network

SW-504 4 Port Unmanaged Ethernet Switch

Packaging Information

Packaging	Quick Start Guide
Device	Ethernet Switch 4 port
Packaged Weight	0.168 kg, 5.93 ounces
Packaged Dims	160x135x49 mm, 6.3x5.3x1.9 inches
GTIN Universal Code	837324009873

Approvals

Industry Approvals	Microsoft Certified Gold Partner, WEEE, RoHS, AEO (C-TPAT)
--------------------	--



Product Support

Warranty	Lifetime - online registration required
Support	Lifetime Web, Email and Phone Support from fully qualified, friendly staff who work in and alongside the Product Development Team



Additional Information

OEM option	Available for bulk buy OEM and as uncased product SW-50402
Made In	Manufactured in the UK by Brainboxes Winner 2005 European Electronics Industry Awards 'Manufacturer of the Year'
Customisable	Brainboxes operate a 'Perfect Fit Custom Design' policy for volume users. More info: sales@brainboxes.com

Optional Accessory Items

PW-600 Global Power supply



Power supply with connectors for UK, USA, EU and AUS mains socket. 'Tails' are suitable for connecting to screw terminal blocks

PW-650 5V from USB Power supply



USB connector fits any standard USB port, such as on a laptop or desktop PC, providing 5V power to a prewired screw terminal block useful for when you are configuring your SW device