

EM900F

1080p Full HD Mini Metal Case Camera

eZ.HD

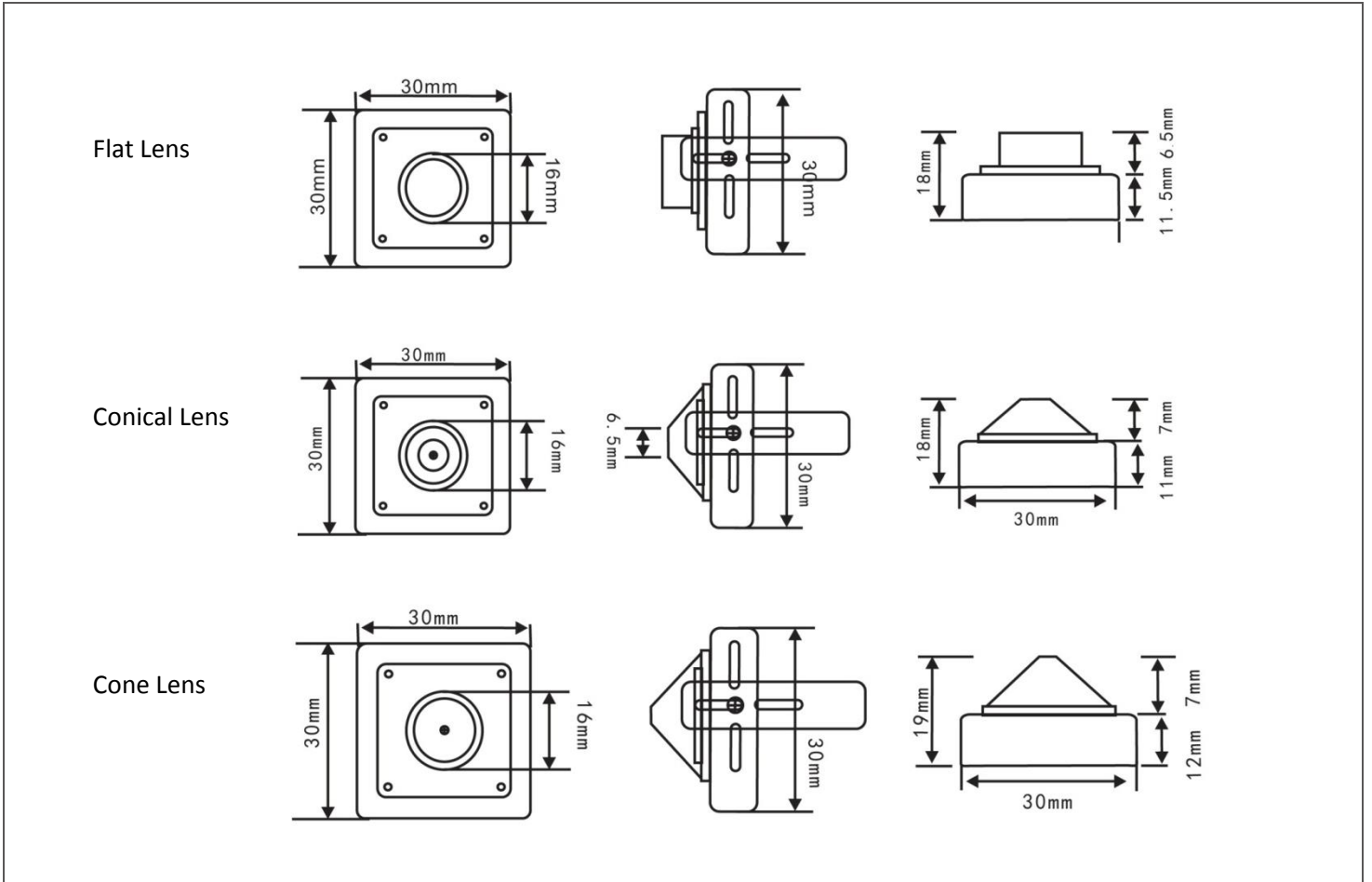
Resolution 1080p	UTC	POWER 12VDC	3DNR
OSD	D-WDR	Sens-up	HSBLC/ BLC



Features

- 1080p Full HD with high flexibility and performance for astounding image
- 1/2.8" Sony 2.43MP CMOS sensor, delivering amazing high sensitivity
- Astounding image quality from the 3.7mm conical / 3.7mm flat / 3.7mm cone lens
- D-WDR to improve the visibility under high contrast scene
- 3D-Noise Reduction ensures less blurry moving subjects, vivid and high SN ratio images even under low light environments
- Supports 1080p, 720p & 960H analog signal output, which can be easily switched using OSD Joystick
- Compact metal case design is suitable for covert place, such as ATM
- eZ Controller function: Control camera OSD settings and PTZ operation directly from DVR end

Dimensions



Specifications

Model No.	EM900FP1	EM900FP3	EM900FP4
Lens Type	3.7mm conical	3.7mm flat	3.7mm cone
Pickup Device	1/2.8" Sony 2.43MP CMOS		
Video Format	NTSC / PAL (Can be switched via OSD)		
Effective Pixels	1920 (H) x 1080 (V)		
Scanning System	Progressive Scan		
Sensitivity	0.2 Lux		
Electronic Shutter	Auto / Manual (x30 ~ 1/50,000) / FLK		
Gamma Correction	0.45		
BLC	Off / BLC / HS BLC Selectable		
AGC	0 ~ 15 Levels		
White Balance	ATW / AWC-SET / Indoor / Outdoor / Manual / AWB		
Sync. Mode	Internal		
Day/Night	Ext, Auto, Color, B/W		
UTC Function	Supported		
OSD Languages	English / Simplified Chinese / Traditional Chinese / German / French / Italian / Spanish / Polish / Russian / Portuguese / Netherlands / Turkish		
DNR	2DNR / 3DNR, Off		
Defog	Off / Auto		
D-WDR	On / Off / Auto		
Sens-up	Off / Auto (x2 ~ x30)		
Mirror	Off / Mirror / V-Flip / Rotate		
Motion Detection	Off / On for 4 selectable zones		
Privacy Mask	Off / On for 4 selectable zones		
Power Source	12VDC		
Power Consumption	1.08W max.		
Operating Temperature	-10°C ~50°C / 14°F ~ 122°F		
Humidity	Less than 80%		
Dimensions	30 x 18mm / 1.18" x 0.71"		30 x 19mm / 1.18" x 0.74"
Weight	295g / 0.65lb		
Certifications	CE, FCC, RoHS		

Find Out More At:

EverFocus Taiwan HQ:
 TEL: +886 2 2698 2334
www.everfocus.com.tw
marketing@everfocus.com.tw

EverFocus USA - California:
 TEL: +1 626 844 8888
www.everfocus.com
sales@everfocus.com

International Branch Offices:
 Germany, China, Japan

