

# AMRT200C

## Articulating Pad / Tablet Stand, Lock series with Clamp Base

The Amer AMRT200C is an articulating Tablet / Pad mount with a sturdy clamp base.

The stylish design and functionality of this tablet mount creates an ergonomic environment for the integration of a tablet in a business, school or at home allowing a whole host of applications.

Features include diagonal arm claws for flexibility in holding different types and sizes of tablets from 9 to 11 inches. It also has built in security or anti-theft mechanisms which include Kensington Lock a bracket lock and a key lock. All this provides added security for your tablet and the mount itself.



### Specifications

Material:	• Steel/Plastic/Aluminum Alloy	Support Max. Weight (Range):	• Max. 1.2Kg (2.6lbs)
Dimension (W*H*D):	• 347 x 716 x 550mm 13.66" x 28.19" x 21.65"	Holder Rotate(Pivot)	• 360°
Weight (Net)	• 2.46Kg(5.42lbs)	Holder Tilt Angle:	• +/-90°
Suggested Tablet Size	• 9-11"	Arm Swivel	• 360°
Diagonal	• 290-344mm (11.42"-13.54")	Arm 1 Tilt Angle	• Max. +/-90°
Thickness:	• 7-10.4mm (0.28"-0.41")	Arm 2 Tilt Angle	• 230°

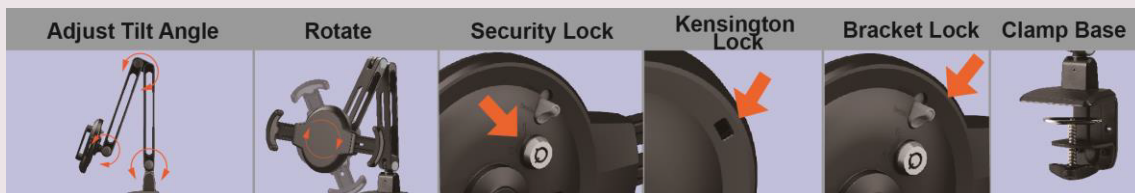
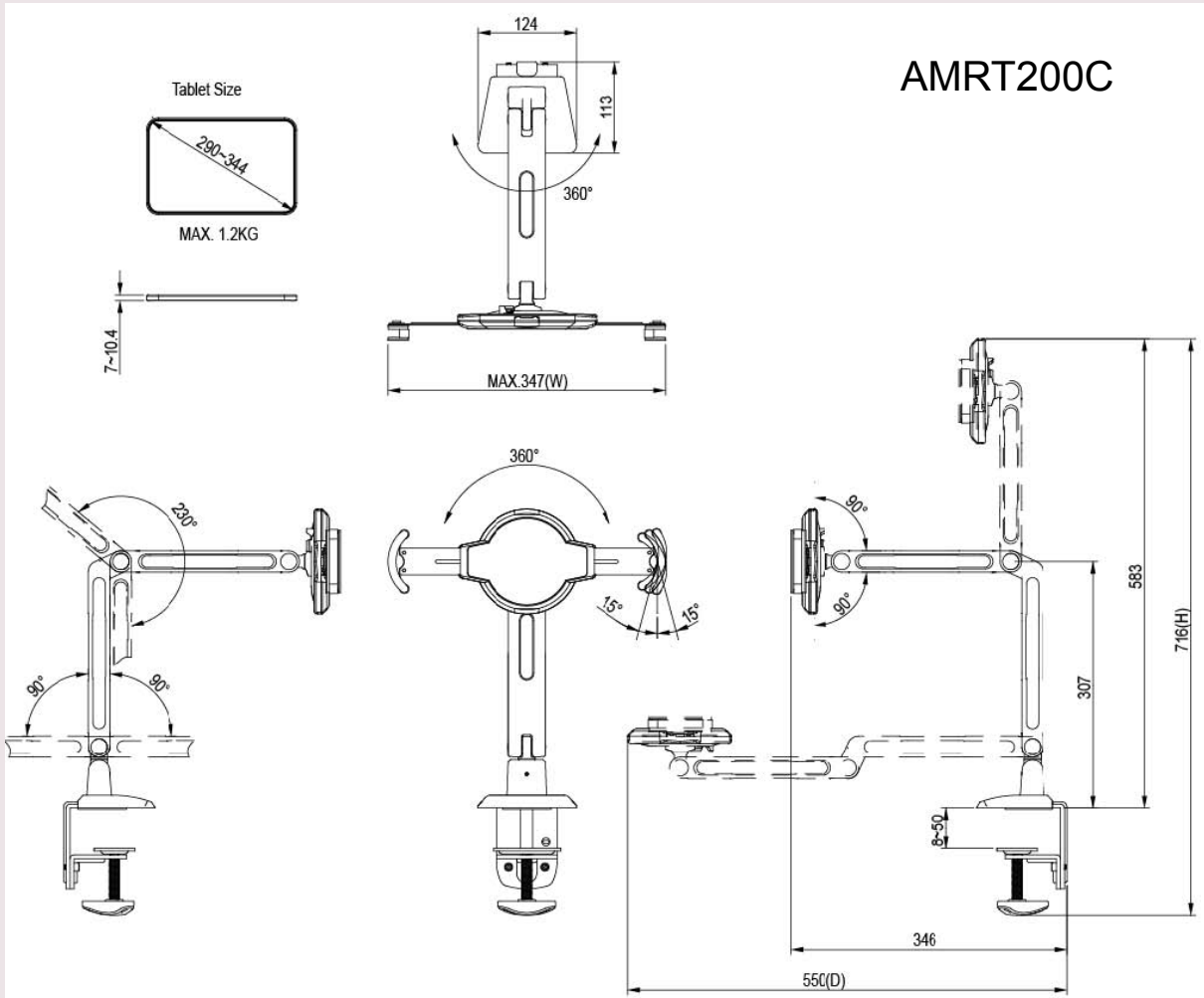
#### Warranty and Support

Warranty: 3 Years

Support: Free technical support (phone/email)

# AMRT200C

Articulating Pad / Tablet Stand, Lock series with Clamp Base



[www.amer.com](http://www.amer.com) / [www.amermounts.com](http://www.amermounts.com)

[sales@amer.com](mailto:sales@amer.com)

1-800-262-9703

Specifications subject to change without notice. Errors and omissions excepted. All trademarks are properties of their respective owners.

Revision 2.01