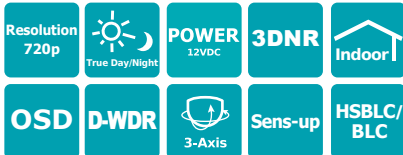


ECD900

720p Analog HD True Day/Night
Indoor Dome Camera

eZ.HD



NEW



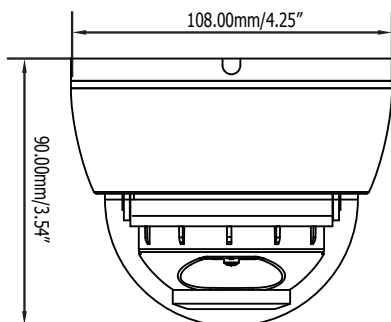
Features

- 720P with high flexibility and performance for astounding image
- 1/2.8" Sony 1.37M pixels COMS, delivers amazing high sensitivity
- Astounding image quality from the 3.6mm lens
- D-WDR to improve the visibility under high contrast scene
- Provides 3D-Noise Reduction ensures less blurry moving subjects, vivid and high SN ratio images even under low light environments
- Support 720p & 960H Analog signal output, which can be easily switched by OSD
- The flexible angle viewing with its 3 Axis rotation design allows wall or ceiling mounting

Specifications

Part number	ECD900
Pickup Device	1/2.8" Sony 1.37M pixels COMS
Video Format	NTSC/PAL (can be switched via OSD)
Effective Pixels	1280 (H) x 720 (V)
Scanning System	Progressive Scan
Sensitivity	0.08 Lux
S/N Ratio	Over 48dB (AGC off)
Electronic Shutter	Auto/Manual (x30~1/50,000) / Flk
Video Output	BNC 1.0Vp-p 75Ω
Gamma Correction	0.45
Lens Type	3.6mm fixed lens with ICR
BLC	OFF/BLC/HS BLC Selectable
AGC	0~15 Levels
White Balance	ATW/AWC-SET/Indoor/Outdoor/Manual/AWB
Sync Mode	Internal
Day/Night	Ext, Auto, Color, B/W
OSD Languages	12-Languages
DNR	2DNR/3DNR, OFF
DEFOG	Off/Auto(Under B/W Mode)
D-WDR	On/Off
Sens-UP	On/Off(x30~x2)
Mirror	Off/Mirror/V-Flip/Rotate
Motion Detection	Off/On for 4 selectable zones
Privacy Mask	Off/On for 4 selectable zones
Environmental	Indoor
Power Source	12VDC
Power Consumption	12VDC:1.2W
Operating Temperature	-10°C~50°C / 14°F~122°F
Humidity	Less than 80%
Dimensions	108 x 90mm / 4.25 x 3.54"
Weight	200g / 0.44lbs
Certifications	

Dimensions



* All product specifications are subject to change without notice
 * Models vary in different countries. Please visit EverFocus regional websites for detailed ordering information
 * Lens models and availability vary in different regions