



## Tripod B Series Product Brochure

The Tripod B Series is a light-weight portable projection screen of the traditional tripod design.



Member  
**infoComm**  
INTERNATIONAL

Member  
**CEDIA**  
CUSTOM  
ELECTRONIC  
DESIGN &  
INSTALLATION  
ASSOCIATION

Member



# Tripod B Series



The Tripod B Series is a light-weight portable projection screen of the traditional tripod design.

## Screen Material:

- MaxWhite® B 1.0 Gain matte white front projection material
- Black backing eliminates light penetration for enhanced brightness
- Wide 180° viewing angle diffusion uniformity maintains projector light all across the surface
- Not compatible with Ultra/Short-throw Projectors
- Standard left and right black masking borders enhances perceived contrast
- Available in the following diagonal sizes:
  - 50", 71", 85", 113" and 136" in 1:1 format

## Design and Operation:

- Adjustment lock secures telescopic vertical support positions
- Latch locking system allows multiple height adjustment for various aspect ratio settings
- Keystone eliminator
- Integrated handle allows screen to be easily carried
- Heavy-duty metal casing withstands rough handling while in transit
- Optional canvas bag available for added protection during transit (excludes 50" model)

## Quality and Reliability:

- 2-year limited manufacturer's warranty
- 3-year warranty offered through ENR-G program (Education, Non-profit, Religious, and Government/Military)

\*Below are examples of aspect ratios that can be achieved by adjusting the height position on a T113SB.

- 60" height x 80" wide = 100" diagonal in 4:3
- 50" height x 80" wide = 94" diagonal in 16:10
- 45" height x 80" wide = 92" diagonal in 16:9
- 34" height x 80" wide = 87" diagonal in 2.35:1



### Tripod B Series

Model	Screen Diag. & Aspect Ratio	View Height (in)	View Width (in)	View Height (cm)	View Width (cm)	N.W. (lbs.)	G.W. (lbs.)	N.W. (Kgs)	G.W. (Kgs)	Packaging Dimensions (LxHxW)	Gain	Screen Material	Case Color	Optional Travel Bag
T50SB	50"(1:1)	35.0	35.0	88.9	88.9	7.1	11.5	3.2	5.2	60.2"x6.3"x8.9"	1.0	MaxWhite® B	Black	N/A
T71SB	71"(1:1)	50.0	50.0	127.0	127.0	17.0	13.2	5.0	6.2	60.2"x6.3"x8.9"	1.0	MaxWhite® B	Black	ZT71S-60H
T85SB	85"(1:1)	60.0	60.0	152.4	152.4	24.3	19.8	6.5	8.0	70.5"x6.3"x8.9"	1.0	MaxWhite® B	Black	ZT85S-72H
T113SB	113"(1:1)	80.0	80.0	203.0	203.0	18.5	22.1	8.4	10.0	89.6"x4.7"x7.1"	1.0	MaxWhite® B	Black	ZT100V-113S
T136SB	136"(1:1)	96.0	96.0	243.8	243.8	33.2	43.6	15.1	19.8	106.3"x6.3"x8.9"	1.0	MaxWhite® B	Black	ZT136S-120V

### Tripod B Dimensions Table

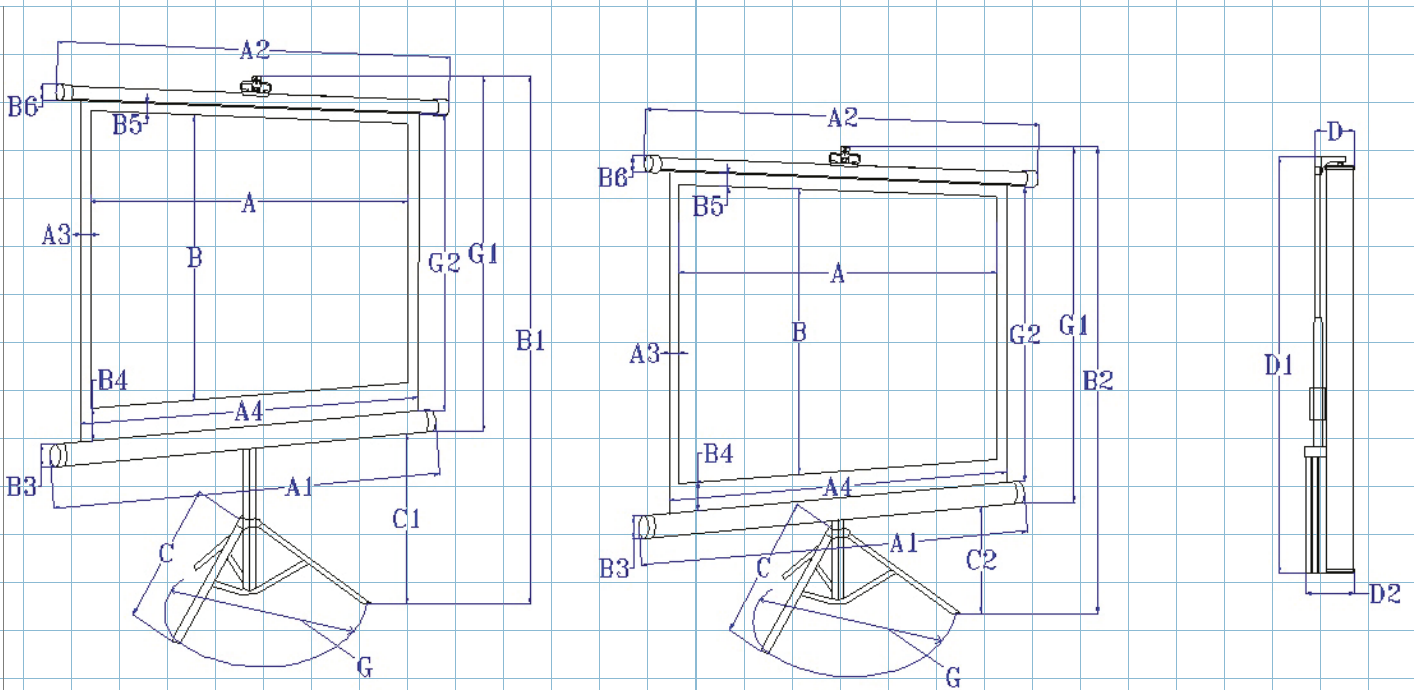
Model	Screen Diag. & Aspect Ratio	View W. (A)	Case L. (A1)	Top Bar Length (A2)	L/R black masking (A3)	Screen W. (A4)	View H. (B)	Top of Screen at Max. H. (B1)	Top of Screen at Min. H. (B2)	B3	Bottom Border (B4)	Top Border (B5)	Top Bar Diameter (B6)	Leg length (C)	Max. Case H. (C1)	Min. Case H. (C2)	D	Case L. Closed (D1)	Case W. Closed (D2)	Leg Diameter (G)	G1	G2
T50SB	50"(1:1)	887	1006	963	20	927	887	1857	1488	70	70	35	27	630	668	430	105	1068	150	1100	1191	996
T71SB	71"(1:1)	1275	1442	1432	38	1351	1275	2435	2000	70	125	35	27	630	865	430	105	1468	150	1100	1570	1435
T85SB	85"(1:1)	1527	1696	1686	38	1603	1527	2685	2197	70	70	35	27	630	918	430	105	1722	150	1100	1767	1632
T113SB	113"(1:1)	2030	2204	2194	38	2106	2030	3185	2700	70	70	35	27	630	915	430	105	2230	150	1100	2270	2135
T136SB	136"(1:1)	2436	2576	2532	38	2497	2436	3406	3038	70	70	35	27	630	668	430	105	2637	150	1100	2743	2548

Unit: mm

Model	Screen Diag. & Aspect Ratio	View W. (A)	Case L. (A1)	Top Bar Length (A2)	L/R black masking (A3)	Screen W. (A4)	View H. (B)	Top of Screen at Max. H. (B1)	Top of Screen at Min. H. (B2)	B3	Bottom Border (B4)	Top Border (B5)	Top Bar Diameter (B6)	Leg length (C)	Max. Case H. (C1)	Min. Case H. (C2)	D	Case L. Closed (D1)	Case W. Closed (D2)	Leg Diameter (G)	G1	G2
T50SB	50"(1:1)	34.9	39.6	37.9	0.8	36.5	34.9	73.1	58.6	2.8	2.8	1.4	1.1	24.8	26.3	16.9	4.1	42.0	5.9	43.3	46.9	39.2
T71SB	71"(1:1)	50.2	56.8	56.4	1.5	53.2	50.2	95.9	78.7	2.8	4.9	1.4	1.1	24.8	34.1	16.9	4.1	57.8	5.9	43.3	61.8	56.5
T85SB	85"(1:1)	60.1	66.8	66.4	1.5	63.1	60.1	105.7	86.5	2.8	2.8	1.4	1.1	24.8	36.1	16.9	4.1	67.8	5.9	43.3	69.6	64.3
T113SB	113"(1:1)	79.9	86.8	86.4	1.5	82.9	79.9	125.4	106.3	2.8	2.8	1.4	1.1	24.8	36.0	16.9	4.1	87.8	5.9	43.3	89.4	84.1
T136SB	136"(1:1)	95.9	101.4	99.7	1.5	98.3	95.9	134.1	119.6	2.8	2.8	1.4	1.1	24.8	26.3	16.9	4.1	103.8	5.9	43.3	108.0	100.3

Unit: inch

**Note: Data Error ±1".** The listed measurements are for general reference only. Please contact Elite Screens to verify product design and dimensions before attempting to integrate its products with any structural or furniture modification. Although a manufacturer may offer product advice, it may be taken or disregarded at the integrator's discretion. Elite Screens will not be held responsible or be otherwise liable for faulty installations.



### Tripod B Dimensions Table (R-Type)

Model	Screen Diag. & Aspect Ratio	View W. (A)	Case L. (A1)	Top Bar Length (A2)	L/R black masking (A3)	Screen W. (A4)	View H. (B)	Top of Screen at Max. H.(B1)	Top of Screen at Min. H. (B2)	B3	Bottom Border (B4)	Top Border (B5)	Top Bar Diameter (B6)	Leg length (C)	Max. Case H. (C1)	Min. Case H.(C2)	D	Case L. Closed (D1)	Case W. Closed (D2)	Leg Diameter (G)	G1	G2
T50SB	50"(1:1)	889	1006	963	20	930	889	1861	1491	70	70	35	27	530	670	300	130	1070	160	920	1191	996
T71SB	71"(1:1)	1275	1407	1364	30	1330	1270	1950	1770	70	35	35	27	530	670	300	130	1470	160	920	1525	1330
T85SB	85"(1:1)	1520	1657	1618	30	1580	1520	2685	2220	70	70	35	27	530	670	300	130	1690	160	920	1722	1580
T113SB	113"(1:1)	2030	2167	2120	30	2090	2030	2740	2640	70	70	35	27	710	520	380	130	2190	160	1260	2225	2090
T136SB	136"(1:1)	2441	2579	2536	30	2502	2441	3413	3043	70	70	35	27	530	670	300	130	2642	160	920	2743	2548

Unit: mm

Model	Screen Diag. & Aspect Ratio	View W. (A)	Case L. (A1)	Top Bar Length (A2)	L/R black masking (A3)	Screen W. (A4)	View H. (B)	Top of Screen at Max. H.(B1)	Top of Screen at Min. H. (B2)	B3	Bottom Border (B4)	Top Border (B5)	Top Bar Diameter (B6)	Leg length (C)	Max. Case H. (C1)	Min. Case H.(C2)	D	Case L. Closed (D1)	Case W. Closed (D2)	Leg Diameter (G)	G1	G2
T50SB	50"(1:1)	34.9	39.6	37.9	0.8	36.5	35.0	73.3	58.6	2.8	2.8	1.4	1.1	20.9	26.3	11.8	5.1	42.0	6.3	36.2	46.9	39.2
T71SB	71"(1:1)	50.2	55.4	53.7	1.2	52.4	50.2	76.8	69.7	2.8	1.4	1.4	1.1	20.9	26.4	11.8	5.1	57.9	6.3	36.2	60.0	52.4
T85SB	85"(1:1)	59.8	65.2	63.7	1.2	62.2	59.8	87.4	79.5	2.8	2.8	1.4	1.1	20.9	26.4	11.8	5.1	66.5	6.3	36.2	67.8	62.2
T113SB	113"(1:1)	79.9	85.3	83.5	1.2	82.3	79.9	107.9	103.9	2.8	2.8	1.4	1.1	28.0	20.5	15.0	5.1	86.2	6.3	49.6	87.6	82.3
T136SB	136"(1:1)	96.1	101.4	99.7	1.2	98.5	96.1	134.1	119.6	2.8	2.8	1.4	1.1	20.9	26.3	11.8	5.1	104.0	6.3	36.2	108.0	100.3

Unit: inch

**Note: Data Error ±1".** The listed measurements are for general reference only. Please contact Elite Screens to verify product design and dimensions before attempting to integrate its products with any structural or furniture modification. Although a manufacturer may offer product advice, it may be taken or disregarded at the integrator's discretion. Elite Screens will not be held responsible or be otherwise liable for faulty installations.

