

# VTC Series

video cart

versatile videoconferencing and presentation cart designed to accommodate large displays and accompanying electronic components in a slim overall design

## features:

- Heavy-duty design accommodates large format screens up to 80" (single) or 70" (dual)
- 3 Space equipment mounting area in base
- Configurable equipment mounting area in body accommodates 4 rackspace or a tower CPU, in addition to Lever Lock™
- Available with 12 space rack
- 550 lb. weight capacity accommodates virtually all systems
- Includes low-profile casters, 2 locking
- Adjustable camera mount
- 8 outlet 15 amp power strip with 10' cord included
- Front connectivity panel that accepts AVIP and UCP panels included
- UL Listed in the US and Canada



## specifications:

Video cart shall be Middle Atlantic Products model #VTC-\_\_ (see chart for available models). Overall dimensions of VTC shall be \_\_" H x 41.9" W x 28"D (see drawing). VTC shall include a lockable base cover with a soft close hinge. VTC shall provide 3 rackspace in the base, with a useable depth of 23.2" (bottom 2 spaces) and 16" (top space), and also include 3 space mid-mount rail. VTC shall include a Lever Lock™ device mounting plate in the upper frame, 4 space vertically oriented adjustable rackrail in lower frame or have a 12 space rack with 14.5" useable depth and a latching and locking tempered glass front door and 17" W x 6.3"D thermolaminate shelf with Slate finish on top (refer to chart). VTC shall accommodate one or two displays, depending on model, with a size of \_\_ to \_\_, a VESA pattern of \_\_ to \_\_, and a weight capacity of \_\_ lbs., (see drawing). VTC shall have 4" casters, with 2 locking in the rear, and 1.1" clearance. VTC shall include adjustable 12"W x 8"D camera mounting shelf. VTC shall include a 15 Amp power strip with surge protected 8 outlets and a 10' SignalSAFE™ cord. VTC shall include a front mounted panel with knockouts to accommodate UCP plates, AVIP connectors and a 3" cable grommet. VTC shall include 10 qty top mounted UHF/VHF antenna knockouts. VTC shall be of fully welded construction. VTC shall be finished in an environmentally friendly, durable \_\_\_\_\_ (natural nickel, black wrinkle, refer to chart). VTC shall have a UL Listed load capacity of 550 lbs., with a maximum of 250 lbs. for monitors and 100 lbs. for 12 space rack (for models including rack). VTC shall be UL Listed in the US and Canada. VTC shall be manufactured by an ISO 9001 and ISO 14001 registered company. VTC shall be warranted to be free from defects in material or workmanship under normal use and conditions for the 7 years.

Customizable specification clips available at [middleatlantic.com](http://middleatlantic.com)

## options:

- Drawer, to replace front panel, shall be 5.5" H x 7.5" deep, model # VTC-DWR-5.5
- 12 space rack with locking and latching tempered glass door, and have a 14.5" useable depth, shall be model # VTC-R1214
- Speaker shelf with black speaker cloth shall be VTC-SPK-SH5.5 (5.4" panel height) and VTC-SPK-SH11 (10.9" panel height), refer to drawing shall be 32" W x 12" D, model # VTC-WS-32X12SL
- Lever Lock™ mounting plate and accessory kit shall be model # LL-VTC-K

EIA/TIA COMPLIANT



PRODUCT CERTIFIED FOR  
LOW CHEMICAL EMISSIONS  
UL.COM/GG  
UL 2818

what **great systems** are built on.™

A Group brand | **legrand**

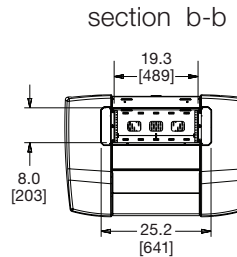
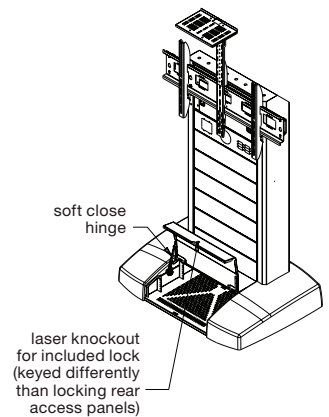
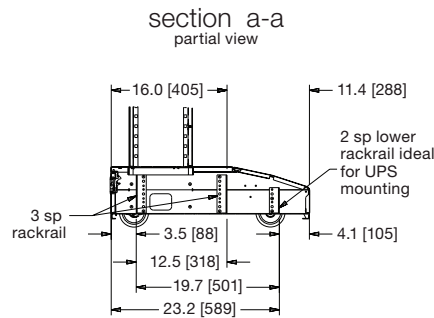
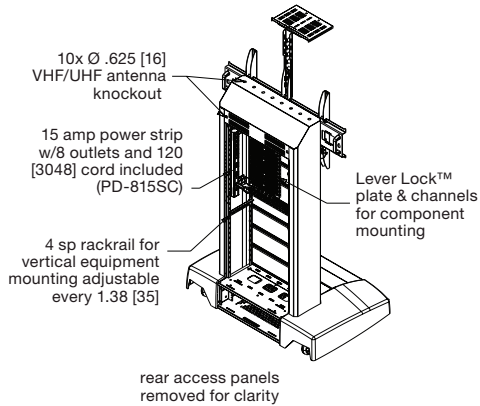
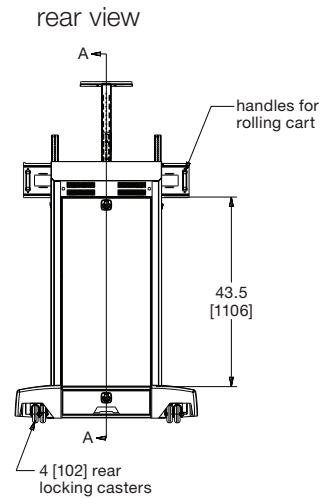
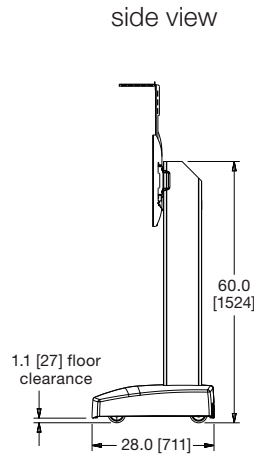
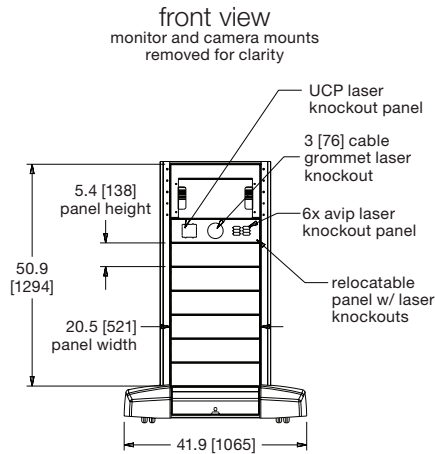
**Middle Atlantic Products**  
middleatlantic.com | middleatlantic.ca

96-01183 / rev cb / 5-28-20

# VTC Series

## video cart basic dimensions

all dimensions in inches unless otherwise noted [all dimensions in brackets are in millimeters]



Note: model no. VTC-4280S shown

what **great systems** are built on.™

A Group brand | **legrand**

**Middle Atlantic Products**

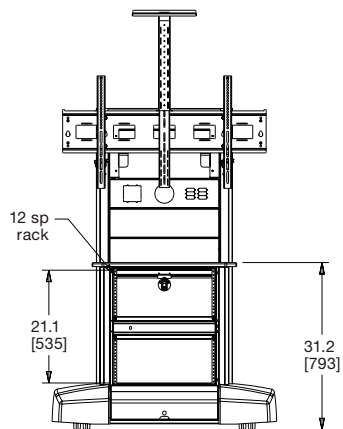
[middleatlantic.com](http://middleatlantic.com) | [middleatlantic.ca](http://middleatlantic.ca)

# VTC Series

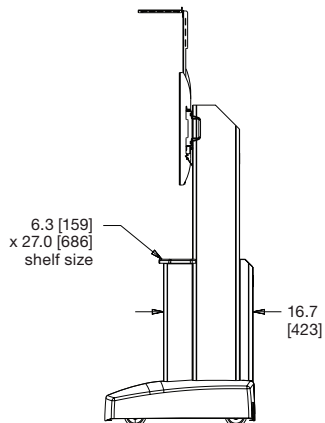
## video cart with rack basic dimensions

all dimensions in inches unless otherwise noted [all dimensions in brackets are in millimeters]

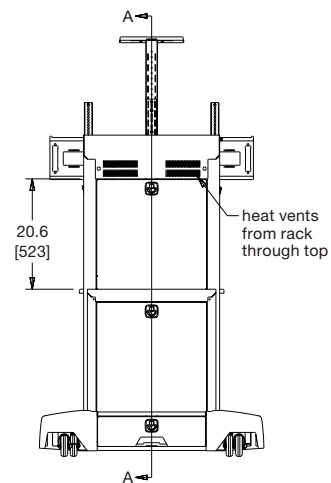
front view  
front door removed for clarity



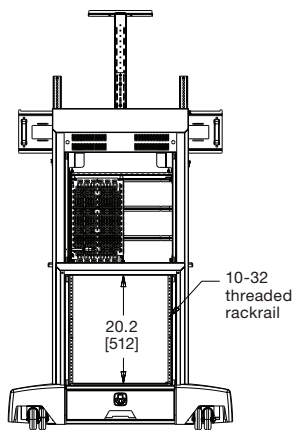
side view



rear view

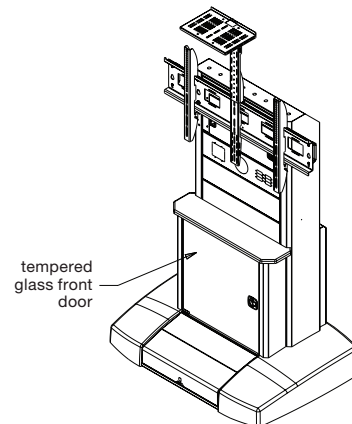
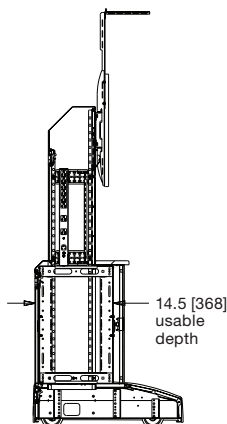


rear view



rear access panels and front door removed for clarity

section a-a



Note: model no. VTC-4280S-R shown

Part #	4 sp rackrail for vertical mounting	12 sp rack w/ tempered glass front door
VTC-4280S	x	
VTC-4280S-R		x
VTC-4255D	x	
VTC-4255D-R		x
VTC-5670D	x	
VTC-5670D-R		x

what great systems are built on.™

A Group brand | **legrand**

**MA**

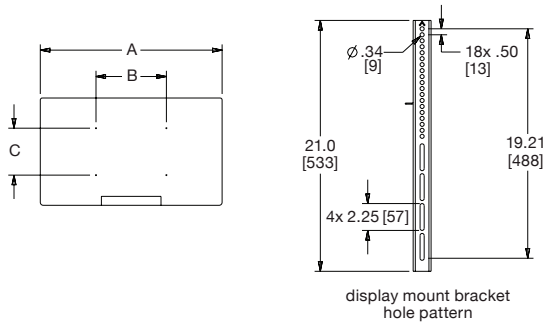
**Middle Atlantic Products**

middleatlantic.com | middleatlantic.ca

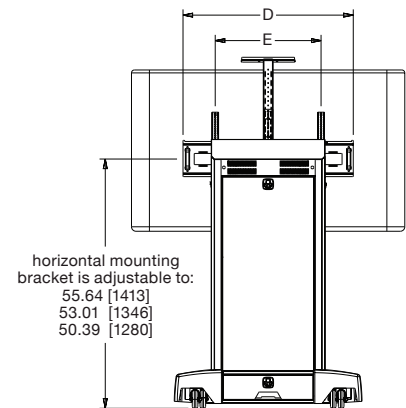
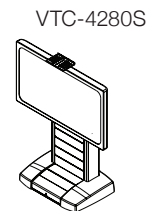
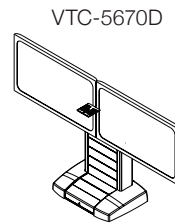
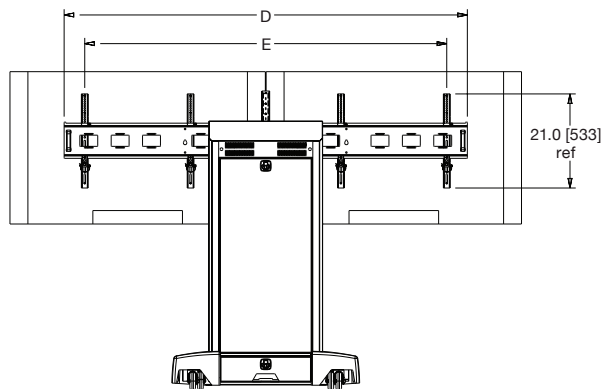
# VTC Series

## monitor mount basic dimensions

all dimensions in inches unless otherwise noted [all dimensions in brackets are in millimeters]



Part #	A Display Width	B VESA Pattern Accommodation	C VESA Pattern Accommodation
VTC-4280S & VTC-4280S-R	80 [2032] and under	up to VESA 900	up to VESA 400
VTC-4255D & VTC-4255D-R	47 [1194] and under	up to VESA 600	up to VESA 400
	55 [1397] and under	up to VESA 400	up to VESA 400
VTC-5670D & VTC-5670D-R	63 [1600] and under	up to VESA 600	up to VESA 400
	71 [1803] and under	up to VESA 400	up to VESA 400



Part #	Single or Dual Displays	Color	Display Size	Max Display Weight Lb [kg]	D Horizontal Length	E Max Distance Outer Verticals
VTC-4280S	single	nickel	42 [1067] to 80 [2023]	250 [113]	38.00 [965]	35.75 [908]
VTC-4280S-BW	single	black	42 [1067] to 80 [1397]	250 [113]	38.00 [965]	35.75 [908]
VTC-4280S-R	single	nickel	42 [1067] to 80 [2023]	250 [113]	38.00 [965]	35.75 [908]
VTC-4280S-RBW	single	black	42 [1067] to 80 [1397]	250 [113]	38.00 [965]	35.75 [908]
VTC-4255D	dual	nickel	42 [1067] to 55 [1397]	125 [57] (total: 250 [113])	74.00 [1880]	71.75 [1822]
VTC-4255D-BW	dual	black	42 [1067] to 55 [1397]	125 [57] (total: 250 [113])	74.00 [1880]	71.75 [1822]
VTC-4255D-R	dual	nickel	42 [1067] to 55 [1397]	125 [57] (total: 250 [113])	74.00 [1880]	71.75 [1822]
VTC-4255D-RBW	dual	black	42 [1067] to 55 [1397]	125 [57] (total: 250 [113])	74.00 [1880]	71.75 [1822]
VTC-5670D	dual	nickel	56 [1422] to 70 [1778]	125 [57] (total: 250 [113])	90.00 [2286]	87.75 [2229]
VTC-5670D-BW	dual	black	56 [1422] to 70 [1778]	125 [57] (total: 250 [113])	90.00 [2286]	87.75 [2229]
VTC-5670D-R	dual	nickel	56 [1422] to 70 [1778]	125 [57] (total: 250 [113])	90.00 [2286]	87.75 [2229]
VTC-5670D-RBW	dual	black	56 [1422] to 70 [1778]	125 [57] (total: 250 [113])	90.00 [2286]	87.75 [2229]

what great systems are built on.™

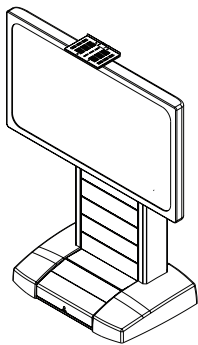
A Group brand | **legrand**

**Middle Atlantic Products**  
middleatlantic.com | middleatlantic.ca

# VTC Series

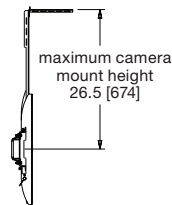
## camera mount basic dimensions

all dimensions in inches unless otherwise noted [all dimensions in brackets are in millimeters]

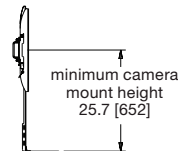


VTC-4280S

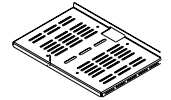
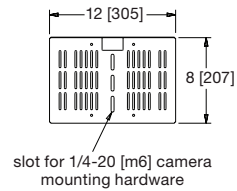
side view  
top camera mount



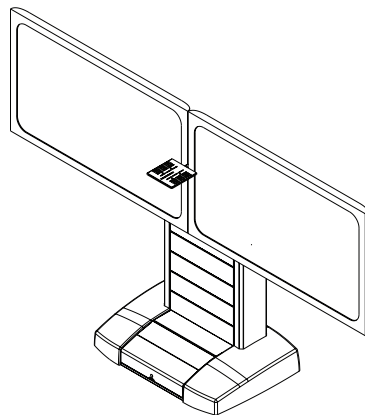
side view  
bottom camera mount



top/bottom  
mounting plate  
included with mount

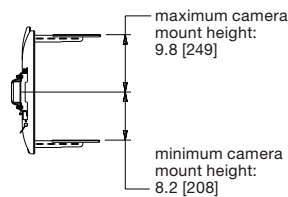


Top/bottom camera mount - can be mounted in any location horizontally above or below display, with the exception of where display mount brackets and posts are located. Display mount bracket locations are based upon location of the vesa mounting holes on each specific display.

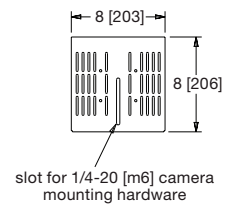


VTC-5670D

side view  
between-display camera mount



between-display  
mounting plate  
included with mount



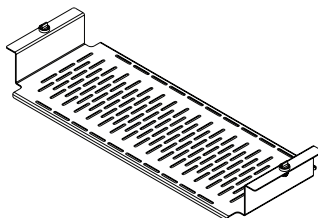
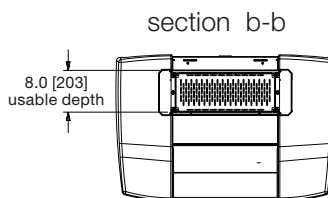
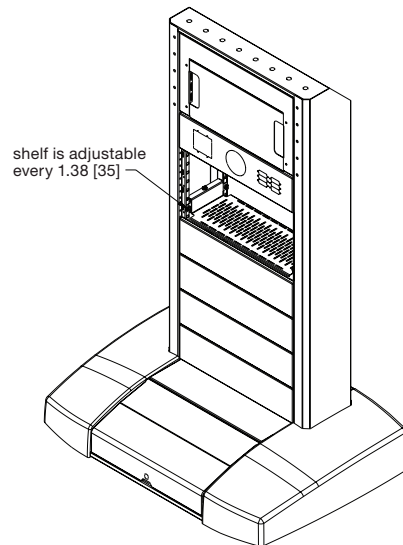
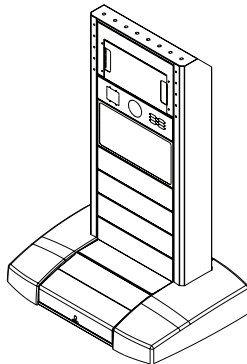
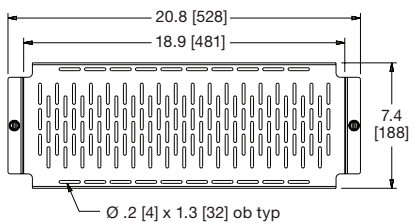
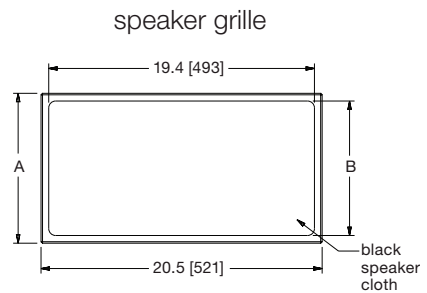
Between-display camera mount - can be mounted between two displays in any location except for the solid parts of the display mounting bracket. This location is based upon the specific displays used.

Part #	Mounting Location
VTC-4280S	above or below display
VTC-4280S-R	above or below display
VTC-4255D	between displays
VTC-4255D-R	between displays
VTC-5670D	between displays
VTC-5670D-R	between displays

# VTC Series

## speaker shelf basic dimensions

all dimensions in inches unless otherwise noted [all dimensions in brackets are in millimeters]



Part #	A Panel Height	B Speaker Area
VTC-SPK-SH5.5	5.4 [138]	4.3 [110]
VTC-SPK-SH11	10.9 [227]	9.8 [249]

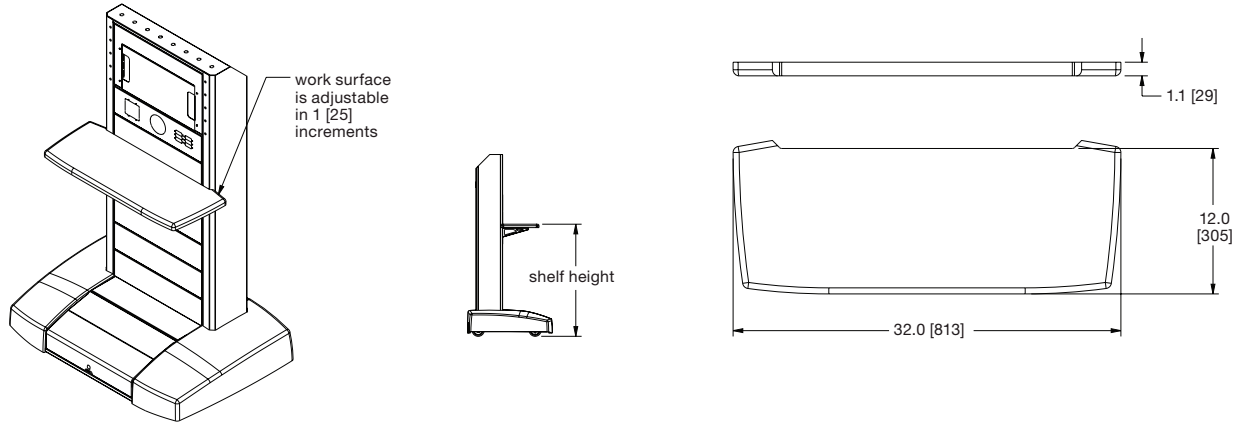
what **great systems** are built on.™

# VTC Series

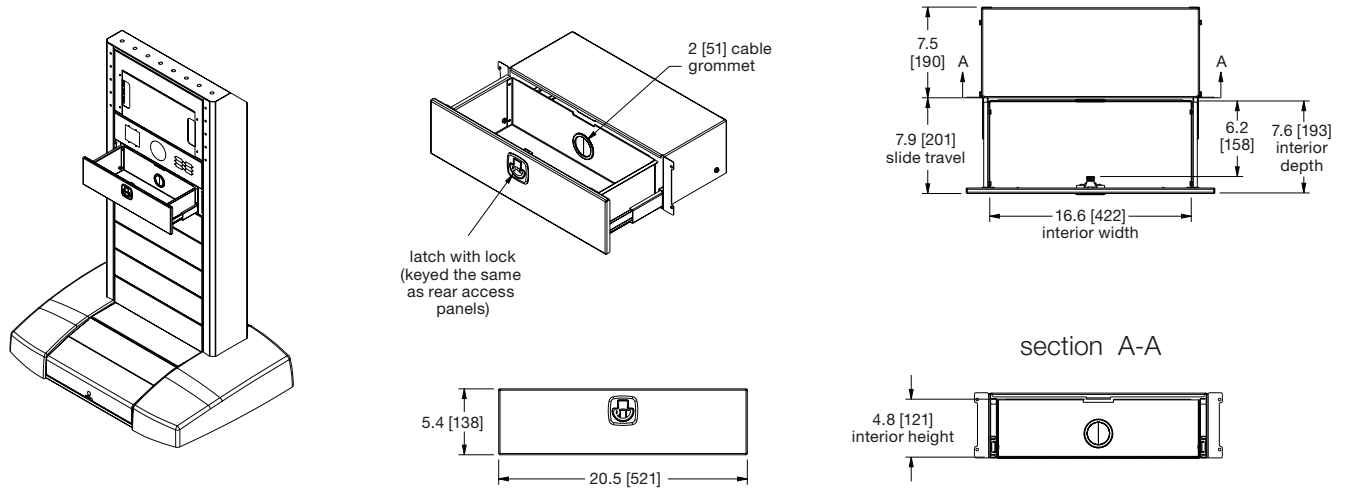
## accessories basic dimensions

all dimensions in inches unless otherwise noted [all dimensions in brackets are in millimeters]

### VTC-WS-32X12SL



### VTC-DWR-5.5



Part #	Minimum Work Surface Height	Maximum Work Surface Height
VTC-4280S	32 [813]	48 [1219]
VTC-4280S-R	36 [914]	48 [1219]
VTC-4255D	32 [813]	48 [1219]
VTC-4255D-R	36 [914]	48 [1219]
VTC-5670D	32 [813]	48 [1219]
VTC-5670D-R	36 [914]	48 [1219]

what **great systems** are built on.™

A Group brand | **legrand**

**Middle Atlantic Products**

middleatlantic.com | middleatlantic.ca