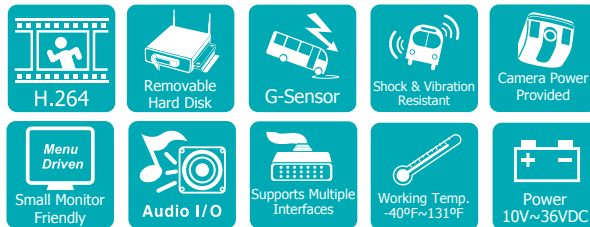


EMV400 *NEW!*

Compact 4 Channel Hot-Swap H.264 Mobile Digital Video Recorder



Features

- 4 channels of video and audio recording
- 1-DIN car audio size
- Recording Rate: 60 FPS @ D1 resolution / 120 FPS @ 2CIF / 120 FPS @ CIF resolution (record rate, resolution and quality can be set independently per camera up to the max of 120 CIF-equivalent FPS)
- H.264 compression format for efficient disk and network utilization
- Front and rear panel video outputs for easy connection and configuration (RCA & BNC)
- Special Graphical User Interface for use with small-sized monitors
- Molex connectors for shock & vibration resistance; interface cables to BNC & RCA
- Alarm Inputs & Outputs: 6 & 2 (alarm outputs are form "C")
- Embedded 3-axis G-Sensor function with separate programmable alarm levels for X/Y and Z axis
- Removable video storage hard disk; easy playback on PC using EPR110C (sold separately)
- Supports single 2.5" SATA hard disk standard (up to 500 GB)
- Supports multiple interfaces: 3xUSB, RS-485, RS-232, GPS port, wired Ethernet, IR Remote Control, & Event Port
- Optional wireless 802.11 b/g with diversity antennas¹
- Provides regulated 12VDC camera power for 4 cameras; interface cables to power jacks supplied
- Optional External EDGE/GPRS/CDMA/WI-FI Modules for cellular/specialized wireless Transmission
- GPS function tracks speed and geographic limits (optional external GPS receiver)
- Power Supply : 10V~36VDC with Surge Protection, Voltage Regulator, programmable Delay on/off (Delay on protects equipment from starter motor power surgers, delay off allows recording even after ignition has been turned off)
- Temperature: -40°F~131°F (Operating), -4°F ~ 185°F (Non-Operating)
- System warnings: System fail LED, HDD full, HDD/Sys Temp, Fan fail, HDD fail LED, HDD power off, HDD failure
- Email Alert: Multiple email notifications in response to alarms and events. (Requires real time network connectivity though cellular or WiFi service)
- Event Alarm: Fan failure, hard disk temperature, hard disk failure, hard disk full, hard disk removed, power loss (after power is restored), network loss, GPS loss, GPS speed, GPS fencing, G sensor limits
- Watchdog Function: Reboots DVR automatically if required

¹ WiFi on EMV400W model only

Specifications

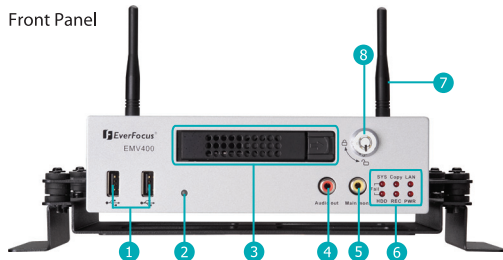
Video Format	NTSC/PAL (auto detected by system)
Operating System	Embedded Linux with special small monitor friendly GUI
Video Input	4 channels (vibration resistant locking Molex connectors – Interface cables to BNC-F supplied: two groups of 2 cameras each)
Video Output	Main monitor: 1 composite BNC rear panel / 1 front panel RCA output
Video Compression	H.264
Recording Resolutions	NTSC: 720x480/720x240/360x240 PAL: 720x576/720x288/360x288
Audio Inputs	4 line in (vibration resistant locking Molex connectors – Interface cables to RCA-F supplied: two groups of 2 cameras each)
Audio Outputs	1 front panel RCA line out
Alarm Inputs	6 alarm inputs (vibration resistant locking Molex connectors – Interface cables supplied)
Alarm Outputs	2 alarm outputs (form "C"; contacts rated at 30V AC/DC @ 1 amp – interface cables supplied)
Storage	2.5" HDD x 1 (up to 500 GB)
Recording Rate	NTSC: D1 60FPS, 2CIF 120FPS, CIF 120 FPS PAL: D1 50 FPS, 2CIF 100 FPS, CIF 100 FPS (Per camera resolutions and record rates can be set individually per camera through the OSD menus up to the maximum record capacity of 120 NTSC (200 PAL) CIF equivalent FPS)
Recording Mode	Continuous recording, event recording, continuous + event recording (Rate and resolution in each mode set independently per camera)
Record Quality	Adjustable in five levels per camera per Record Mode
Pre Alarm Recording	Optional; 5 second interval
Playback Rate	NTSC: D1 60 FPS, 2CIF 120 FPS, CIF 120 FPS PAL: D1 50 FPS, 2CIF 100 FPS, CIF 100 FPS
Playback Search	Time/date, event search, GPS Speed, G-Sensor Value
Video Loss Detection	Yes
G Sensor	Embedded 3-axis G Sensor; data recorded; alarm if separate user limits for X/Y or Z axis exceeded
GPS Function	Optional External GPS Sensor for speed and geographic limit alarms (rectangular or circular fencing)
Configuration Method	On screen menu with 'portable monitor friendly' GUI
Control/Setup	IR remote control, USB mouse, network I/F
Real Time Clock	Can be synchronized to GPS/NTP time source; flexible DST settings
Networking	RJ45 socket, 10/100Mbps; 802.11b/g WiFi with diversity antennas ¹ TCP/IP/DHCP/PPPoE/DDNS/SMTP/SSL/POP3/HTTP/NTP
File Export	USB 2.0 interface, Network I/F
Interfaces	RS-232, RS-485, USB x 3, GPS port, Event port
Power Source	10V~36VDC (Built in surge protection, voltage regulation, programmable Delay On/Off relative to ignition or other switched voltage)
Power Consumption	.7A max @ 12VDC supplying 1.8A to cameras
Camera Power Outputs	900mA for camera 1~2 and 900mA for camera 3~4. Vibration resistant locking Molex connectors – interface cable provided to coaxial power plugs; 2 X groups of 2 cameras.
Dimensions (L x W x H)	199 x 178 x 50 mm / 7.8" x 7" x 2" (1-DIN size) 272 x 224 x 145 mm / 10.7" x 8.8" x 5.7" (w/mount & antennas)
Weight	1.7kg / 3.75 lbs. (w/out mount), 2.15 kg / 4.74 lbs (w/mount)
Operating Temp.	Working Temperature: -40°C ~55°C / -40°F~131°F Storage Temperature: -20°C ~ 85°C / -4°F ~ 185°F

* Models vary in different countries. Visit www.everfocus.com and select your country for accurate ordering information

* Front & back panel controls may vary depending on models

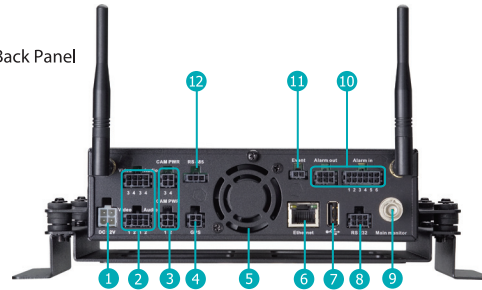
Major Operating Controls - EMV400W (WIFI option)

Front Panel



- 1 USB 2.0 Port
- 2 Remote IR Sensor
- 3 Hot Swap Drive
- 4 Audio Out (RCA)
- 5 Main Monitor (RCA)
- 6 System Warning LEDs
- 7 Antenna
- 8 Hard Drive Enable/Lock

Back Panel

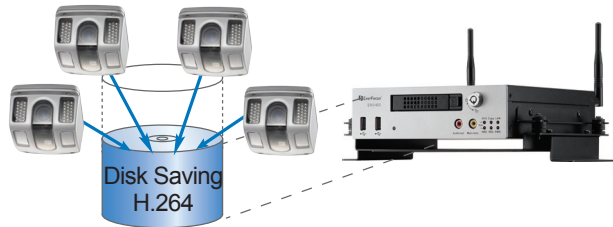


- 1 Main Power In
- 2 Video & Audio In
- 3 Camera Power In
- 4 GPS Port
- 5 Fan
- 6 Ethernet Port
- 7 USB 2.0 Port
- 8 RS-232 Connector
- 9 Main Monitor Out (BNC)
- 10 Alarm In/Out (6 In/2 Out)
- 11 Event Input (future use)
- 12 RS-485 Connector

Advantages

Full Comprehensive Features with H.264

The EMV400 4 channel mobile DVR offers H.264 compression technology for enhanced recording capacity and improved network image transmission speed with high image quality. This DVR delivers real-time video and audio recoding on all 4 channels (120FPS @ 2CIF/60FPS @ D1 resolutions) with frame rate and resolution independently configurable for each camera.



Ideal for Any Mobile Application

The EMV400 offers Molex connectors for shock & vibration resistance (interface cables to BNC, RCA and power jacks supplied) The included power supply provides surge protection, voltage regulation, and programmable delay power on/off for the DVR and the system cameras. In addition, the EMV400 features 1 hot swap hard drive, an embedded 3-axis g-sensor, GPS receiver interface, 802.11b/g WiFi (EMV400M model only), individual camera power outputs, and remote control capability.



Multiple Interfaces

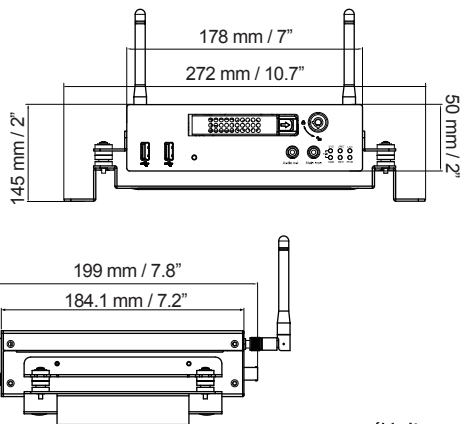
The DVR provides multiple interfaces including 3 USB ports, RS-485, RS-232, GPS port, wired and WiFi (EMV400W model only) Ethernet, IR remote control, 6 alarm inputs and 2 alarm outputs. Video outputs are provided at both front and rear panels for ease of installation and maintenance, plus the new easy to read Graphical User Interface is specially designed for use with portable small-screen monitors.

Convenient Monitoring with Web-Viewer

The EMV400 has a built-in web server that enables users to monitor live and playback DVR images through a web browser from any supported PC, without a special software (requires connectivity through cellular or LAN network).



Dimensions



(Unit: mm/inch)

Ordering Information

- **EMV400:** 4 Ch. Mobile H.264 Compact DVR, 1-DIN, 60 FPS
- **EMV400W:** 4 Ch. Mobile H.264 Compact DVR, 1-DIN, 60 FPS, WIFI

**** Check with your EverFocus sales rep for release date and availability**

* Models vary in different countries. Visit www.everfocus.com and select your country for accurate ordering information

Mobile Solution