

MOD-WP2



Display size
46"-90"



Max load
422lb (192kg)

Modular Series Dual-Pole Wall Plate

FOR CONCRETE OR WOOD STUD WALLS

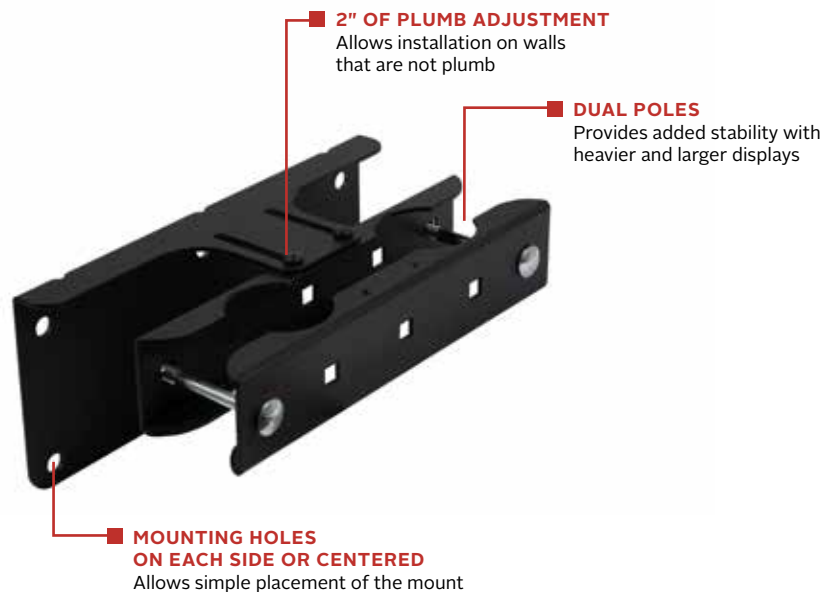
Peerless-AV's Modular Mount Series features a full range of products to fulfill multiple requirements with a limited number of components. The universality of the components allows you to configure your own perfect custom flat-panel display or projector mounting solution for any application. The Modular Mount Series was developed with the professional AV installer in mind with a 2" (50mm) diameter support pole that can be easily cut to length on the job site making it ideal for new projects as well as for upgrading existing installations. The MOD-WP2 makes wall mounting possible for Floor to Wall display placement applications.

The dual pole design of the MOD-WP2 provides additional strength and stability, so you are able to install larger displays within your application.



Additional Features

- ✓ Allows attachment to the wall for the Modular Dual Pole Series
- ✓ Works with wood stud, concrete, cinder block or breeze block



Dual-Pole Display Mount Stacking Clamp, MOD-ASC2, included



MOD-WP2 Modular Series Dual-Pole Wall Plate for concrete or wood stud walls

Product Specifications

| | DIMENSIONS (W x H x D) | PRODUCT WEIGHT | LOAD CAPACITY | FINISH | AVAILABLE COLORS |
|---------|---|----------------|---------------|-------------|------------------|
| MOD-WP2 | 10.00" x 4.52" x 6.93" (254 x 115 x 176mm) | 3.5lb (1.59kg) | 422lb (192kg) | Powder Coat | Black |

Package Specifications

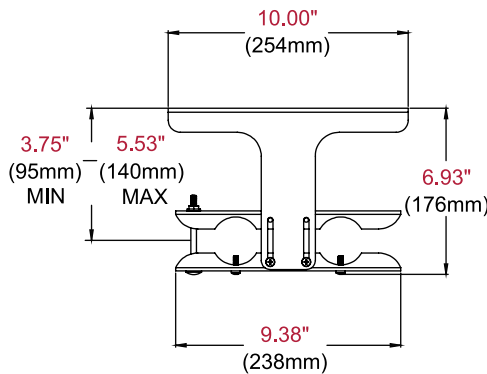
| | PACKAGE SIZE (W x H x D) | PACKAGE SHIP WEIGHT | PACKAGE UPC CODE | PACKAGE CONTENTS | UNITS IN PACKAGE |
|---------|--|---------------------|------------------|---|------------------|
| MOD-WP2 | 12.63" x 10.00" x 4.25" (321 x 254 x 108mm) | 6.0lb (2.73kg) | 735029301189 | MOD-WP2 Wall plate, MOD-ASC2, mounting hardware, instructions | 1 |

Accessories

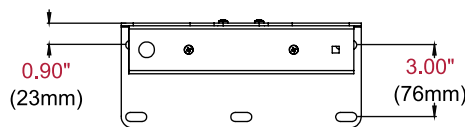
MOD-P100/150/200/300(-B): Extension Poles
MOD-ASC2: Dual Pole Display Mount Stacking Clamp
MOD-FPMS2: Dual Pole Single Display Mount
MOD-FPMD2: Dual Pole Back-to-Back Display Mount

MOD-UNL2: Dual Pole Large Universal Adaptor
ACC925: Security Fastener Pack
MOD-CPF2: Dual Pole Square Ceiling/Floor Plate, Flat
MOD-ACF2: Dual Pole Cosmetic Cover

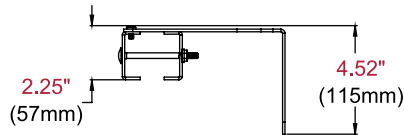
All dimensions = inch (mm)



TOP VIEW



FRONT VIEW



SIDE VIEW

Architect Specifications

The Modular Series Dual-Pole Wall Plate shall be a Peerless-AV model MOD-WP2 and shall be located where indicated on the plans. Assembly and installation shall be done according to instructions provided by the manufacturer.

Visit peerless-av.com to see the complete line of AV solutions from Peerless-AV, including outdoor displays, wireless, kiosks, digital audio, display mounts, projector mounts, carts/stands, and a full assortment of accessories.

Peerless-AV
 2300 White Oak Circle
 Aurora, IL 60502 USA
(800) 865-2112
(630) 375-5100
Fax: (800) 359-6500

Peerless-AV Europe
 Unit 3 Watford Interchange
 Colonial Way, Watford
 Herts, WD24 4WP
 United Kingdom
+44 (0) 1923 200100
Fax: +44 (0) 1923 200101

Peerless-AV de México
 Ave de las Industrias 413
 Parque Industrial Escobedo
 Escobedo, N.L.,
 Mexico 66050
+52 (81) 8384-8300
Fax: +52 (81) 8384-8360

