

DIGITAL PROJECTOR | HT1085ST

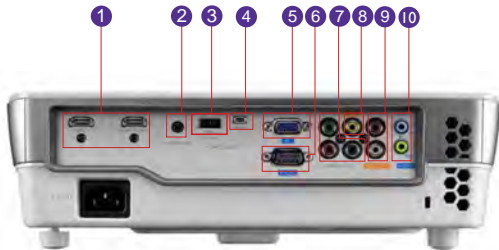


Features

- Native Full HD 1080P (1920x1080) Short Throw
- 2,200 ANSI Lumens, 10,000:1 High Contrast Ratio
- Dual HDMI, MHL Connectivity
- Optional Wireless Full HD Kit, Wireless Reader
- 3D Full HD, built-in 10W speaker
- Horizontal & Vertical Keystone



Input and Output Terminals



- | | |
|-----------------------------|------------------------------|
| 1 HDMI 1 & 2 (MHL) | 6 RS232 (DB-9pin) |
| 2 DC 12V Trigger | 7 Component Video In (RCA) |
| 3 USB (Type A) | 8 S-Video In (Mini DIN 4pin) |
| 4 USB (Type Mini B) | 9 Audio in (Mini Jack) |
| 5 Computer in (D-sub 15pin) | 10 Audio L/R in (RCA) |

Specifications

Projection System	DLP®
Native Resolution	1080p (1920x1080)
Brightness	2,200 ANSI lumens
Contrast Ratio	10,000:1
Display Color	1.07 Billion Colors
Lens	F= 2.6-2.78, f=10.2-12.24mm
Aspect Ratio	Native 16:9 (5 aspect ratio selectable)
Throw Ratio	0.69-0.83 (65.7" @ 1M)
Image Size (Diagonal)	38"-300"
Zoom Ratio	1.2:1
Lamp Type	240W
Lamp (Normal/Economic Mode)*	3500/5000/6000 hours
Keystone Adjustment	2D, Vertical & Horizontal +/- 30 degrees
Projection Offset	Vertical 110%-130%±5%
Resolution Support	up to WUXGA
Horizontal Frequency	31K-102KHz
Vertical Scan Rate	23-120Hz
Compatibility	SDTV, EDTV, HDTV Compatibility: 480i, 480p, 576i, 576p, 720p, 1080i, 1080p Video Compatibility: NTSC, PAL, SECAM
Interface	Computer in (D-sub 15pin) x 1 HDMI x 2 MHL x 1 (shared with HDMI - 2) Composite Video in (RCA) x 1 Component Video in x 1 Audio in (Mini Jack) x 1 Audio L/R in (RCA) x 1 Audio out (Mini Jack) x 1 Chamber Speaker 10W x 1 USB (Type A) x1 (for 1.5V power supply) USB (Type Mini B) x1 (for service) RS232 (DB-9pin) x 1 DC 12V Trigger x 1
Dimensions (WxHxD)	12.2" x 4.09" x 9.6"
Weight	6.28 lbs
Power Supply	AC 100 to 240 V, 50 to 60 Hz
Power Consumption	353W/110V (typical), Standby < 0.5W
Audible Noise	31/28 dBA (Normal/Economic mode)
On-Screen Display Languages	Arabic/Bulgarian/ Croatian/ Czech/ Danish/ Dutch/ English/ Finnish/ French/ German/ Greek/ Hindi/ Hungarian/ Italian/ Indonesian/ Japanese/ Korean/ Norwegian/ Polish/ Portuguese/ Romanian/ Russian/ Simplified Chinese/Spanish/ Swedish/ Turkish/ Thai/ Traditional Chinese (28 Languages)
Preset Modes	ISF Disabled: Bright/(Standard)/Cinema/User 1 / User 2 ISF Disabled: Bright/Standard/Cinema/User 1/User 2/ (ISF Night)/ ISF Day
Accessories (Standard)	Remote Control w/ Battery, Power Cord, User Manual CD, Lens Cover, Quick Start Guide, Warranty Card, VGA (D-sub 15pin) Cable
Accessories (Optional)	Spare Lamp Kit P/N: 5J.J7L05.001 Ceiling Mount P/N: 5J.J2K01.001 3D Glasses P/N: 5J.J7K25.001 Carry Bag P/N: 5J.J3T09.001 Wireless FHD Kit TBD
Limited Warranty	1 Year Parts/Labor; 1 Year or 2000 hours of lamp life.

*Lamp life results will vary depending on environmental conditions and usage. Actual product's features and specifications are subject to change without notice.



HT1085ST 07-03-14-BQus



BenQ America Corp.
www.BenQ.us

BenQ is a registered trademark of BenQ Corp. DLP® is a registered trademark of Texas Instruments. All rights reserved. Product names, logos, brands, and other trademarks featured or referred to in this materials are the property of their respective trademark holders. Specifications subject to change without notice.



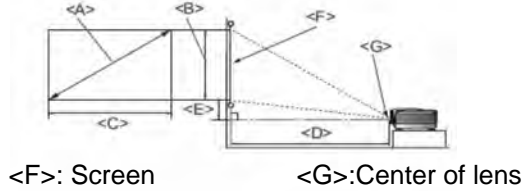
Because it matters

HTI085ST Digital Projector

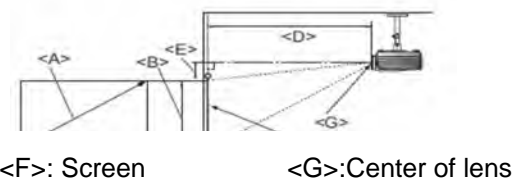
Distance Chart

The screen aspect ratio is 16:9 and the projected picture is 16:9

Floor Installation



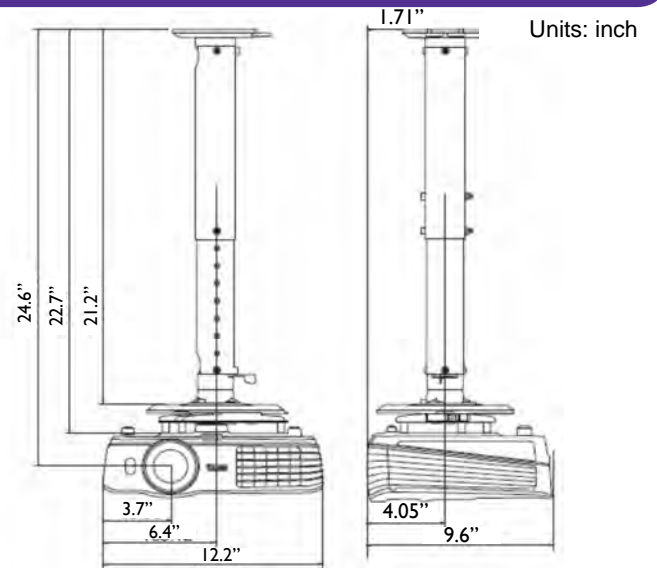
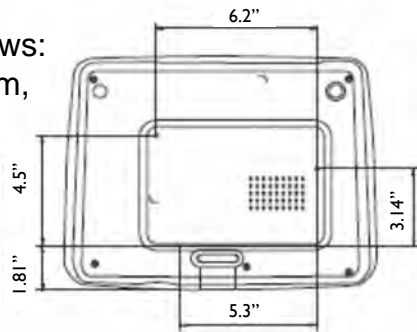
Ceiling Installation



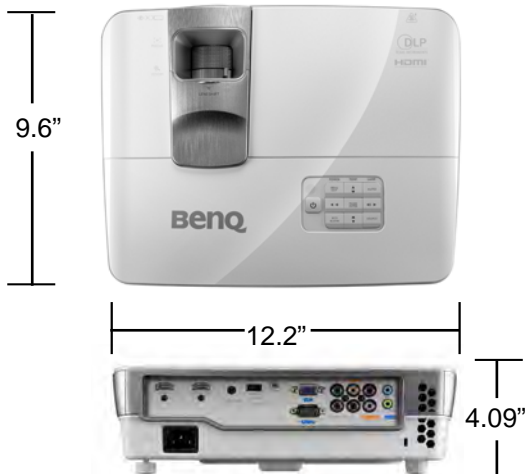
Screen Dimensions		Projection Distance <D> (inch)					Lowest/Highest lens position <E> (inch)
Diagonal		Height (inch)	Width <C> (inch)	Min Distance (with max zoom)	Average	Max Distance (with min zoom)	
Inch	mm						
40	1016	20	34	39.8	45.8	51.8	.9
50	1270	24	43	49.8	57.3	64.8	1.2
60	1524	29	52	59.8	68.7	77.7	1.4
70	1778	34	61	69.7	80.2	90.7	1.7
80	2032	39	70	79.7	91.6	103.6	1.9
90	2286	44	78	89.6	103.1	116.6	2.2
100	2540	49	87	99.6	114.6	129.5	2.4
110	2794	54	96	109.6	126.1	142.5	2.6
120	3048	59	104	119.6	137.5	155.4	2.9
130	3302	64	113	129.5	149.0	168.4	3.1
140	3556	68	122	139.5	160.4	181.4	3.4
150	3810	74	131	149.4	171.9	194.3	3.6
160	4064	78	139	159.4	183.3	207.3	3.9
170	4318	83	148	169.4	194.8	220.2	4.1
180	4572	88	156	179.4	206.3	233.2	4.4
190	4826	93	165	189.3	217.7	246.1	4.6
200	5080	98	174	199.3	229.2	259.1	4.9
235	5969	115	204	234.2	269.3	304.4	5.7

Ceiling Mount Chart

Ceiling Mount Screws:
M4 (Max. L = 25 mm,
Min. L = 20 mm)



Dimensions



Units: inch

