

AMR1APL

Long Arm Articulating single Monitor Mount

This incredibly versatile product supports up to 32" monitors with a maximum individual weight of 22.1lbs. Not only will this strong and sturdy mount have no trouble holding a VESA certified 75x75 or 100x100 monitors, (fitting the above criteria), it is also extremely adjustable!

- Each monitor can be placed at a different height to accommodate different sized monitors.
- The monitor has 360° rotation, meaning landscape, portrait, or anything in-between.
- Tilt and Swivel and Rotation is provided in 5 places ensuring maximum adjustability:
 - Swivel in the hinge: +/- 90°
 - Tilt in the hinge: +90°/-20°
 - Tilt in the arm: +65°/-30°
 - Rotation about the pole and main arm: 360°
- Height adjustable, with a maximum height of 19.63" (from the desk to the centre of the mounting device)
- Extendable with a max horizontal extension of 24.1" from the rear edge.



This mount works with an innovative grommet structure, the best of both the clamp and stand bases. It takes up less space than the stand, has no overhang off the desk like the clamp. It is an excellent solution for your various mounting needs.

Specifications

• General		Screw Type:	• M4
Max Hole Pitch:	• 100x100/75x75mm	Dimensions(W*H*D):	• 612*556*116 mm 24.09" x 21.89" x 5.91"
Material:	• Steel/Aluminum Alloy/Plastic	Swivel(Hinge):	• Max. +/-90°
Weight Capacity:	• 2.20kg (4.85 lbs)	Rotate(Pivot):	• 360°
Tilt(Hinge):	• Max. +90° / -20°	Support Flat Panel Size:	• 24"-32"
Tilt(Arm):	• Max. +65° / -30°	Min. Distance to the Wall:	• 97mm (3.82")
Support Weight (Range):	• 2-10kg (4.4-22.1lbs)	Height Adjustment Range (Hinge/Arm):	• 315mm / 105-160mm (12.40" / 4.13"-6.30")
Extended Arm Provided:	• 2		
• Warranty and Support			
Warranty: 3 Years	Support: Free technical support (phone/email)		

www.amer.com / www.amermounts.com

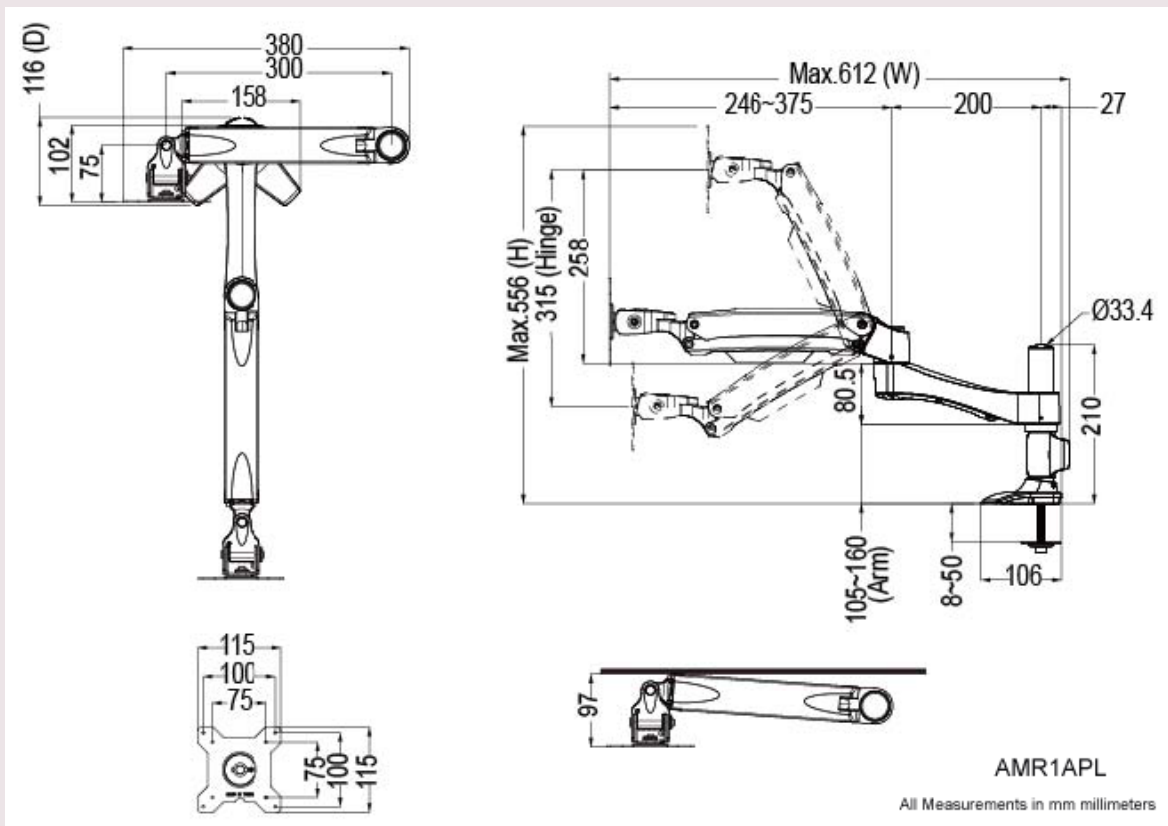
sales@amer.com

1-800-262-9703

Specifications subject to change without notice. Errors and omissions excepted. All trademarks are properties of their respective owners.

AMR1APL

Long Arm Articulating single Monitor Mount



www.amer.com / www.amermounts.com

sales@amer.com

1-800-262-9703

Specifications subject to change without notice. Errors and omissions excepted. All trademarks are properties of their respective owners.

Revision 2.03