

ServSwitch CX Uno, 8-Port or 16-Port

High-end, multiplatform
KVM switching over CATx
with remote access.

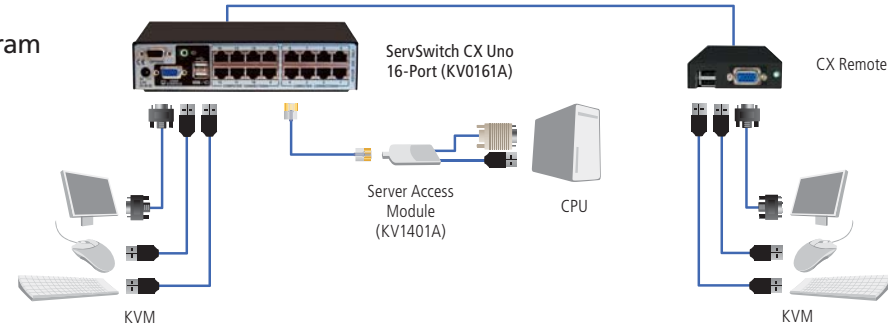


FEATURES

- » Place the remote console up to 984.3 feet (300 m) away.
- » Supports resolutions up to 1920 x 1200 at 60 Hz.
- » Reads DDC EDID from the display to avoid plug-and-play issues.
- » Shared local and remote user console.
- » Stereo audio support.
- » CATx cabling means you can cascade 31 CPUs in 1U.
- » Flash upgradable.
- » Choose 8- or 16-port model.



A typical application is shown in the diagram at right.



OVERVIEW

Add PS/2®, USB, or Sun® Server Access Modules (SAMs) to your ServSwitch CX Uno, 8-Port or 16-Port. All platforms are available with stereo audio support for speakers, too! Place servers up to 32.8 feet (10 m) from the switch and connect them with a simple CATx cable.

Small size, big delivery

Less than half the width of a standard 19" mountable device, the ServSwitch CX Uno supports up to 31 cascaded servers in 1U of rack space. Added to a KVM drawer like the ServView KVM Drawer (KVT317A), it's an ideal solution for dense server rack environments.

Remote access option via CATx

With the Remote Access Modules for the CX Uno for PS/2 or USB (KV04-REM or KV04U-REM series), a remote user has access to the attached servers from more than 900 feet (300 m) away using a single CATx cable.

Remote control option

Like all CX series switches, the CX Uno can be switched remotely via RS-232 commands. You can also synchronize the switching of multiple units, enabling support for multi-head video.

TECH SPECS

Connectors — KV0081A: (8) RJ-45; KV0161A: (16) RJ-45; KV0081A and KV0161A: (1) RJ-45 F; (1) RS-232 M; (2) USB Type A F; (1) HD15 F; (1) 3.55-mm audio jack F

Power Supply — 100–240 VAC/5 VDC 2.6A autosensing

CE Approval — Yes

Size — 1.7" H x 7.9" W x 4.7" D (4.4 x 20 x 12 cm)

Weight — 1.5 lb. (0.7 kg)

What's included

- ◆ ServSwitch CX Uno, 8-Port or 16-Port
- ◆ Power supply
- ◆ IEC 320 power cord
- ◆ User's manual on CD

Item	Code
ServSwitch CX Uno 8-Port	KV0081A
16-Port	KV0161A
You may also need...	
19" Rackmounting Kit 1U for Single Unit	RMK2004
Two Units	RMK2004-2
Server Access Modules (SAMs)	
PS/2	KV1400A
USB	KV1401A
PS/2 with Audio	KV1402A
USB with Audio	KV1403A
Sun with Audio	KV1404A
Remote Access Modules	
PS/2	KV04-REM
USB	KV04U-REM
with Audio	
PS/2	KV04A-REM
USB	KV04AU-REM
with DeSkew and Audio	
PS/2	KV04AS-REM
USB	KV04AUS-REM