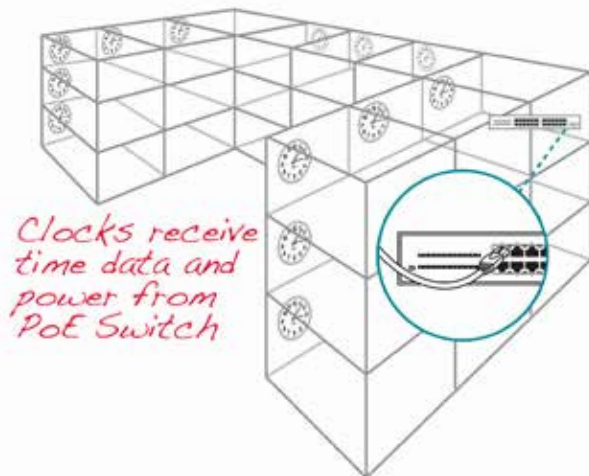




PoE IP Network Analog Clock Series

Improve efficiency and productivity with synchronized time throughout a facility. Uses Energy-efficient, low voltage Power over Ethernet.

TimeTrax Sync™ PoE IP Network Synchronized Analog Clocks receive power and time data from PoE switch using a single (CAT 5) network cable. An extremely energy-efficient system with low voltage 48V DC power usage. Each clock interfaces with TimeTrax Sync™ software to enable network settings, NTP server selection and universal or individual time source/zone selection. Available in a variety of bezel colors, sizes and face formats to complement any environment. Custom clock faces also available display your organization logo. Simple to install and easy to expand.



- Receives continuous time data and power from PoE (Power over Ethernet) Switch over a single CAT 5 cable
- Software interface enables choice of NTP server and universal or individual time source/zone selection
- Energy efficient 48V DC, 802.3af standard
- Automatic Daylight Saving Time adjustment
- Includes anti-theft wall bracket for safe and secure wall mounting
- Three-year manufacturer's limited warranty

PoE IP Network Analog Clock Series Ordering Information

TIMETRAX SYNC™ BLACK BEZEL SERIES

Part No.	Description
SEA3AALDRB	13" Black Bezel, 12 Hour
SEA3ABLDREB	13" Black Bezel, 12 Hour w/seconds
SEA3ACLDRB	13" Black Bezel, 12/24 Hour
SEA7AALDRB	17" Black Bezel, 12 Hour
SEA7ABLDREB	17" Black Bezel, 12 Hour w/seconds
SEA7ACLDRB	17" Black Bezel, 12/24 Hour

TIMETRAX SYNC™ SILVER BEZEL SERIES

Part No.	Description
SEA3ADLDRS	13" Silver Bezel, 12 Hour
SEA3AELDRS	13" Silver Bezel, 12 Hour w/seconds
SEA3AFLDRS	13" Silver Bezel, 12/24 Hour
SEA5AGLDRS	13" Silver Bezel, 12 Hour Abstract
SEA7AHLDRS	13" Silver Bezel, 12 Hour Black
SEA7ADLDRS	17" Silver Bezel, 12 Hour
SEA7AELDRS	17" Silver Bezel 12 Hour w/seconds
SEA7AFLDRS	17" Silver Bezel, 12/24 Hour

TIMETRAX SYNC™ WOOD BEZEL SERIES

Part No.	Description
SEA6AKLDRC	16" Cherry Bezel, Roman 12 Hour
SEA6ALLDRC	16" Cherry Bezel, Arabic 12 Hour
SEA6AKLDRO	16" Oak Bezel, Roman 12 Hour
SEA6ALLDRO	16" Oak Bezel, Arabic 12 Hour
SEA6AKLDRW	16" Walnut Bezel, Roman 12 Hour
SEA6ALLDRW	16" Walnut Bezel, Arabic 12 Hour

*TimeTrax Sync™ software required (part #SASDLCDWXX) for clock operation.



ceiling bracket



wall bracket



GREEN INITIATIVE FRIENDLY





PoE IP Network Analog Clock Series

SPECIFICATIONS

Time Base	Microprocessor	
Time Update Frequency	Continuous	
Time Update Method	NTP, SNTP	
Power	48V DC, CAT 5 Cable, 802.3af standard	
Average Current Consumption	70mA	
Operating Temperature	-30° F (-33.44° C) to 130° F (54.44° C)	
Mounting	Double Face Wall or Ceiling (ABS 13" Bezel)	
Dial Material	Polystyrene	
Lens Material	Non glare, shatterproof transparent polycarbonate	
Bezel Material	Reinforced Acrylonitrile Butadiene Styrene (ABS)	Hardwood
Bezel Color/Finish	Black or Silver	Cherry, Oak or Walnut Finish
Dial Format	12 Hour, 12 Hour with seconds, 12/24 Hour or Custom	12 Hour or Roman Numeral
Dimensions (Dia x D)	13.25" x 2.5" (13") (33.6cm x 6.35cm) 17" x 2" (17") (43.1cm x 5.08cm)	16.5" x 2.25" (41.9 x 5.7)
Weight	3lbs (1.36kg) (13") 4.3lbs (1.95kg) (17")	5.5lbs (2.49kg)
Shipping Weight	3.75lbs (1.7kg) (13") 5.45lbs (2.47kg) (17")	7.5lbs (3.40kg)
Warranty	3-Year manufacturer's limited warranty	
Guarantee	30-Day money back guarantee	
Compliance	IEEE 802.af/ANSI X3.263	
Includes	Security wall bracket and key, User Guide	

ACCESSORIES

SASDLCWDXX*	TimeTrax Sync™ Software
APOEPI	Ethernet Port Injector & 6' power cable
42227-1	20' Category 5E Ethernet Cable
42320	Dual 13" Analog Clock Wall Bracket
42443	Dual Analog & Digital Clock Ceiling Bracket
42314	15" Wire Clock Guard
42315	19" Wire Clock Guard
42690	16.5" Polycarbonate NEMA4 Clock Cover
42606	Analog Security Mount Replacement
42281	Wall Clock Security Mount Replacement Key

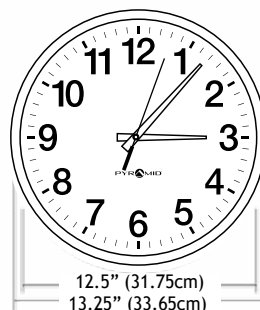
*Required for clock operation.



Ethernet

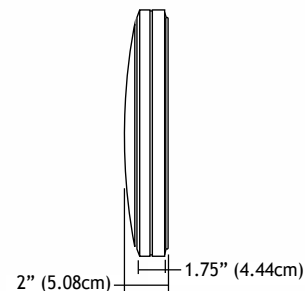


Synchronize

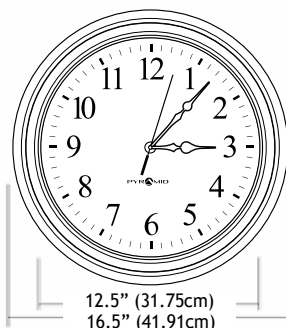


12.5" (31.75cm)
13.25" (33.65cm)

13" Clock Series

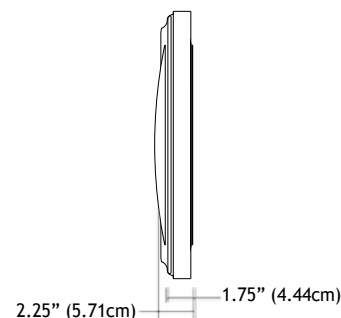


2" (5.08cm) 1.75" (4.44cm)

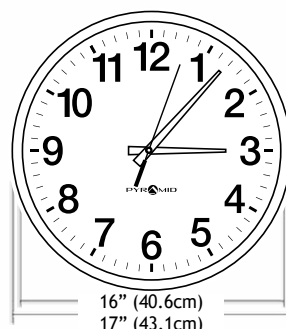


12.5" (31.75cm)
16.5" (41.91cm)

16" Wood Clock Series

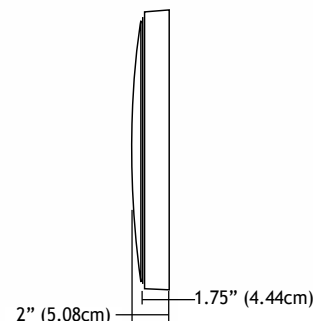


2.25" (5.71cm) 1.75" (4.44cm)



16" (40.6cm)
17" (43.1cm)

17" Clock Series



2" (5.08cm) 1.75" (4.44cm)

Power up with PoE.
Power over Ethernet IP Clocks simply connect to existing Ethernet Infrastructure with a single CAT 5 Ethernet cable.

