

FIT™ SERIES DISPLAY MOUNTS

HIGH VALUE DISPLAY MOUNTING SOLUTIONS

Fit™ Fixed Wall

Key Features

- Hinged design reduces packaging material
- Wide open wall plate allows for easy cable routing and connection
- GlideLock with Kickstand secures display to wall plate without tools and includes kickstand for easy cable connection



Part #	Description	Mounting Pattern	Works with Typical Screen Sizes	Weight Capacity	Certifications
RMF2	Medium Fit™ Fixed Wall Mount	100 x 100mm - 445 x 400mm	32 - 65"	125 lbs (56.7 kg)	UL Listed
RLF2	Large Fit™ Fixed Wall Mount	100 x 100mm - 670 x 400mm	42 - 86"	125 lbs (56.7 kg)	UL Listed
RXF2	Extra-Large Fit™ Fixed Wall Mount	200 x 100mm - 855 x 500mm	55 - 100"	175 lbs (79.4kg)	UL Listed

Fit™ Tilt Wall Mount

Key Features

- Hinged design reduces packaging material
- Wide open wall plate allows for easy cable routing and connection
- GlideLock with Kickstand secures display to wall plate without tools and includes kickstand for easy cable connection



Part #	Description	Mounting Pattern	Adjustments	Works with Typical Screen Sizes	Weight Capacity	Certifications
RMT2	Medium Fit™ Tilt Wall Mount	100 x 100mm - 506 x 400mm	Tilt, + 0° , - 12°	32 - 65"	125 lbs (56.7 kg)	UL Listed
RLT2	Large Fit™ Tilt Wall Mount	100 x 100mm - 723 x 400mm	Tilt, + 0° , - 12°	42 - 86"	125 lbs (56.7 kg)	UL Listed
RXT2	Extra-Large Fit™ Tilt Wall Mount	200 x 200mm - 910 x 500mm	Tilt, + 0° , - 12°	55 - 100"	175 lbs (79.4kg)	UL Listed

LEGRAND | AV COMMERCIAL BRANDS

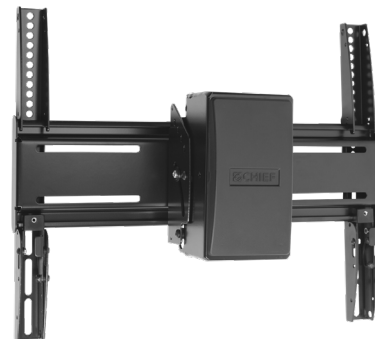
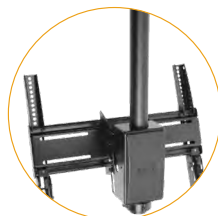
C2G | Chief | Da-Lite | Luxul | Middle Atlantic | Vaddio | Wiremold

FIT™ SERIES DISPLAY MOUNTS

HIGH VALUE DISPLAY MOUNTING SOLUTIONS

Fit™ Ceiling Mount

Chief's Fit™ Flat Panel Single Ceiling Mounts are installer inspired and offer perfect display positioning and flexible adjustments for large flat panel screens.



Ceiling Plate and extension column are required and must be ordered separately.

Part #	Description	Mounting Pattern	Adjustments	Works with Typical Screen Sizes	Weight Capacity	Certifications
RMC1	Medium Fit™ Ceiling Mount	up to 457 x 400mm	Roll, +/- 3°; Tilt, + 5°, - 20°	32 - 55"	125 lbs (56.7 kg)	UL Listed
RLC1	Large Fit™ Ceiling Mount	up to 610 x 400mm	Roll, +/- 3°; Tilt, + 5°, -20°	42 - 75"	125 lbs (56.7 kg)	UL Listed

Speed-Connect Fixed and Adjustable Extension Columns

Focusing on speed of installation, the CMS Speed-Connect Series of extension columns integrates easy-to-use features aimed at saving installation time and maximizing security.



Part #	Description
CMS006009	Adjustable Pipe 6" to 9"
CMS009012	Adjustable Pipe 9" to 12"
CMS012018	Adjustable Pipe 12" to 18"
CMS018024	Adjustable Pipe 18" to 24"
CMS0203	Adjustable Pipe 24" to 36"
CMS0305	Adjustable Pipe 36" to 60"
CMS0406	Adjustable Pipe 48" to 72"

Part #	Description
CMS012	Fixed Pipe 12"
CMS018	Fixed Pipe 18"
CMS024	Fixed Pipe 24"
CMS036	Fixed Pipe 36"
CMS048	Fixed Pipe 48"
CMS060	Fixed Pipe 60"
CMS072	Fixed Pipe 72"

CMA Series Ceiling Plates

Part #	Description
CMA105	4" Ceiling Plate with 1-1/2" NPSM
CMA110	8" Ceiling Plate with 1-1/2" NPSM
CMA115	6" Ceiling Plate with 1-1/2" NPSM

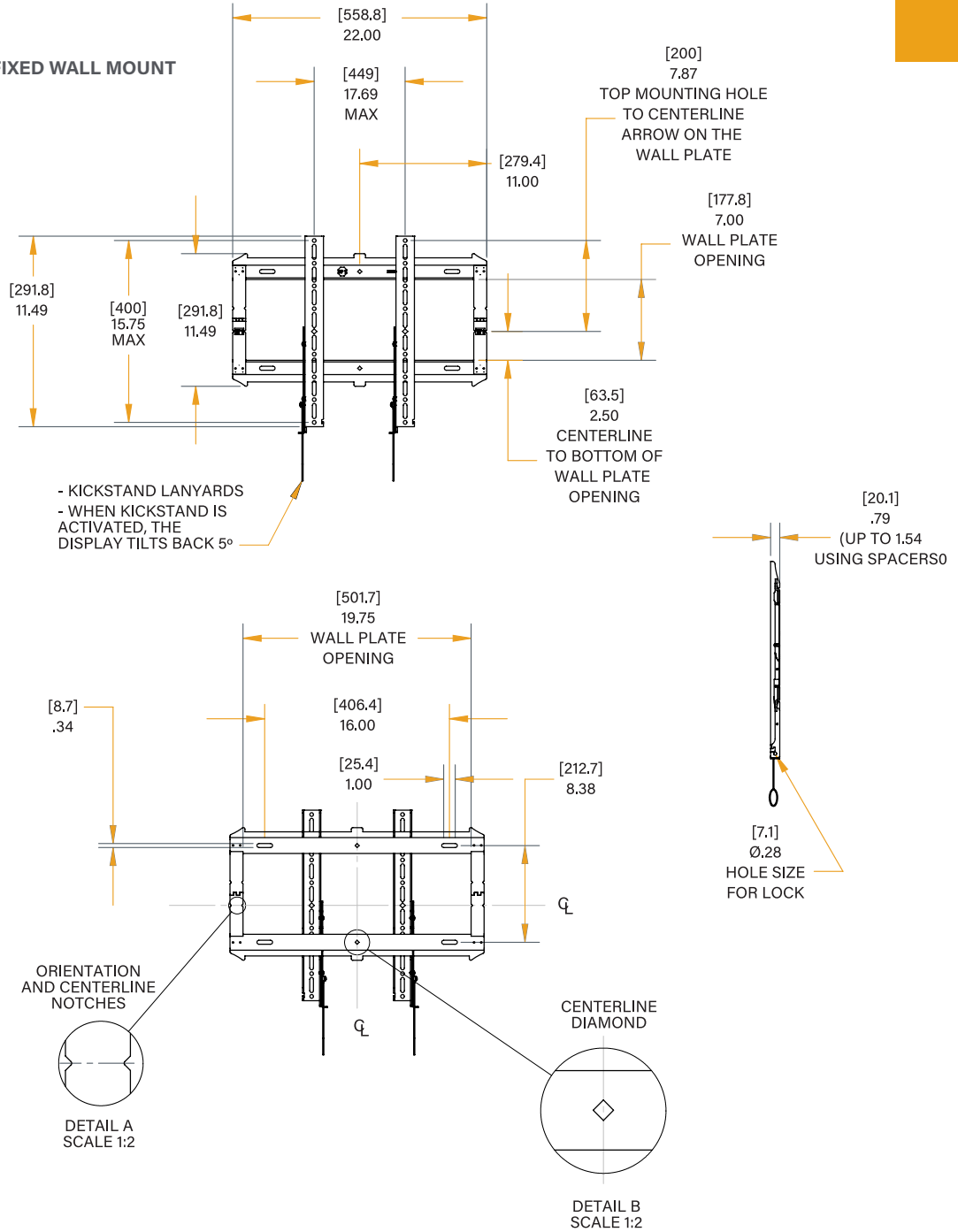


LEGRAND | AV COMMERCIAL BRANDS

C2G | Chief | Da-Lite | Luxul | Middle Atlantic | Vaddio | Wiremold

RMF2

MEDIUM FIT™ FIXED WALL MOUNT



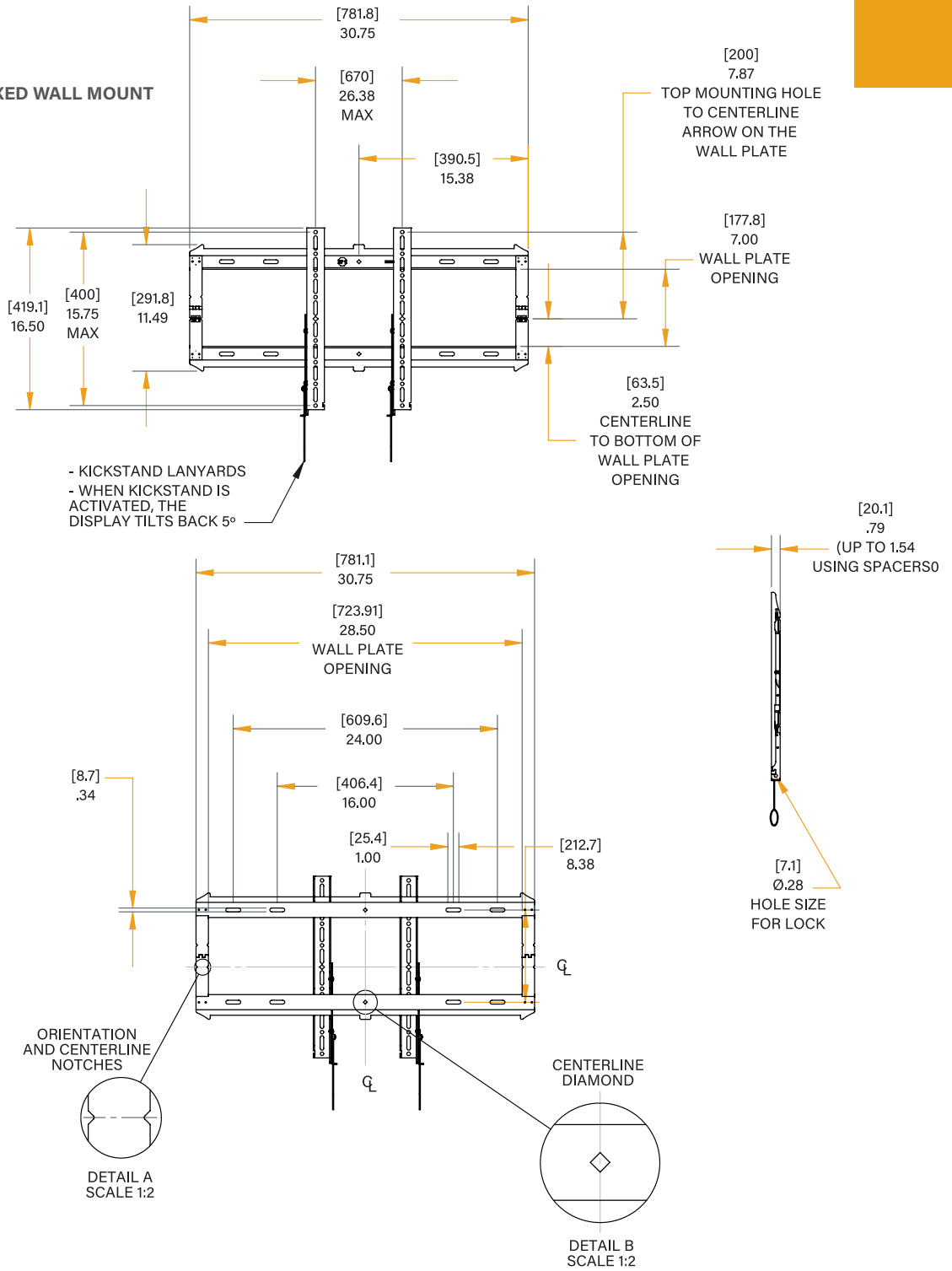
Measurements within brackets [xx.xx] are mm, measurements outside of brackets are inches.

LEGRAND | AV COMMERCIAL BRANDS

C2G | Chief | Da-Lite | Luxul | Middle Atlantic | Vaddio | Wiremold

RLF2

LARGE FIT™ FIXED WALL MOUNT



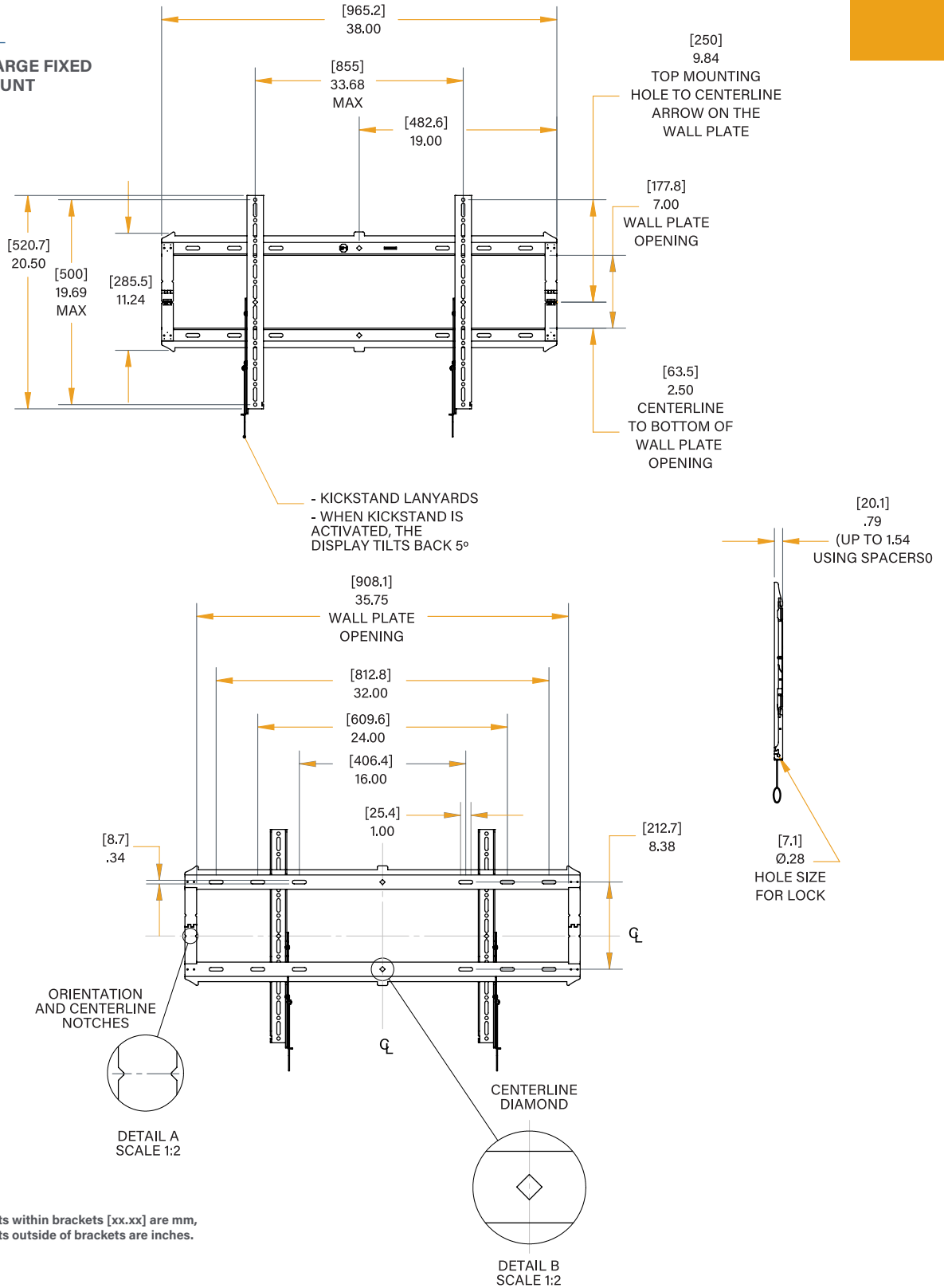
Measurements within brackets [xx.xx] are mm, measurements outside of brackets are inches.

LEGRAND | AV COMMERCIAL BRANDS

C2G | Chief | Da-Lite | Luxul | Middle Atlantic | Vaddio | Wiremold

RXF2

EXTRA-LARGE FIXED WALL MOUNT



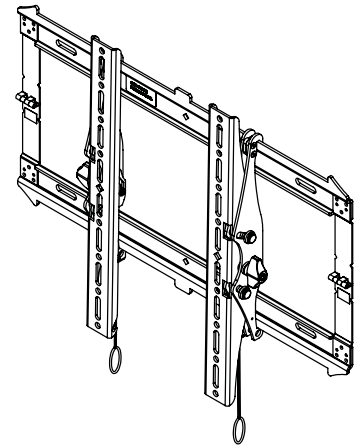
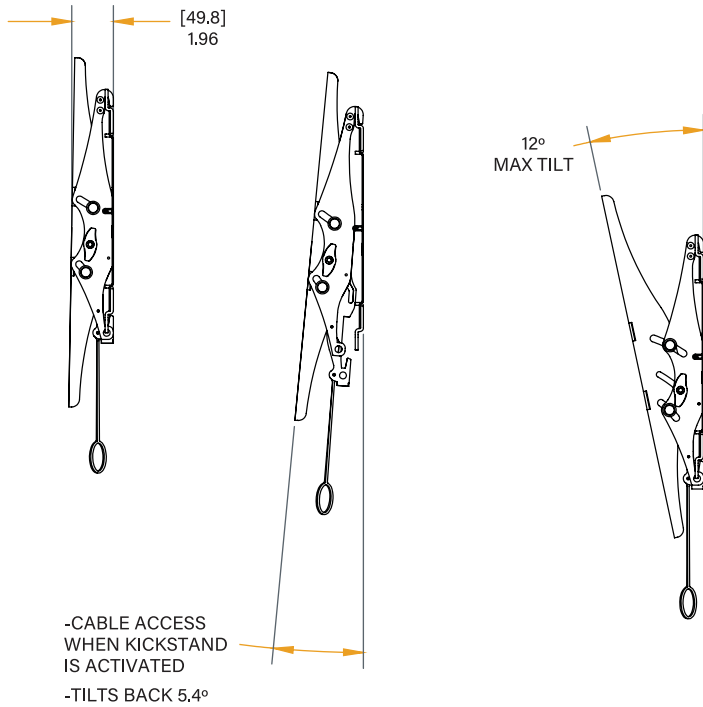
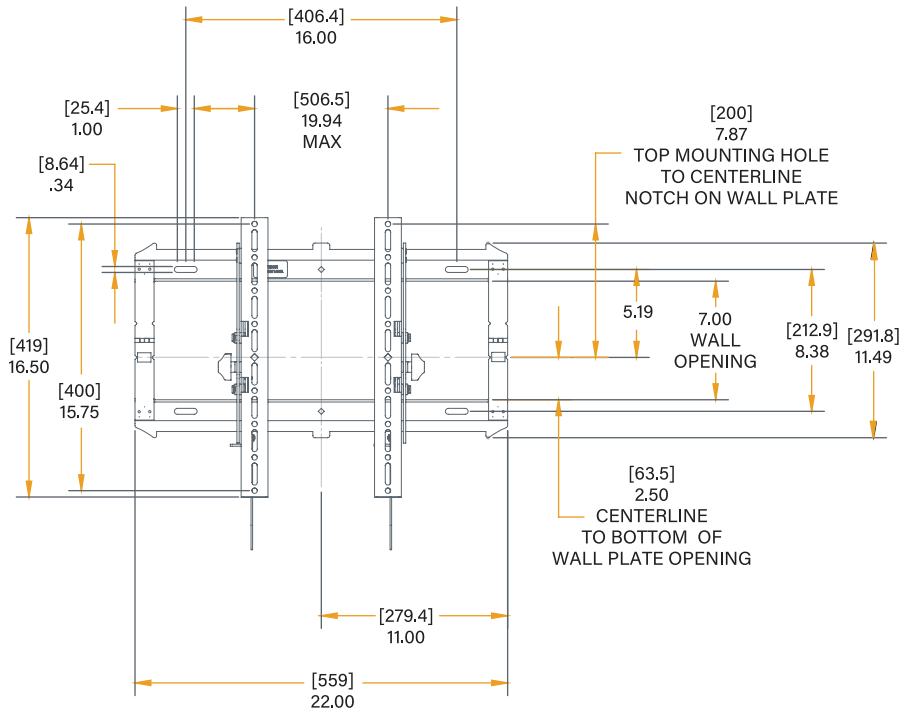
Measurements within brackets [xx.xx] are mm, measurements outside of brackets are inches.

LEGRAND | AV COMMERCIAL BRANDS

C2G | Chief | Da-Lite | Luxul | Middle Atlantic | Vaddio | Wiremold

RMT2

MEDIUM FIT™ TILT WALL MOUNT



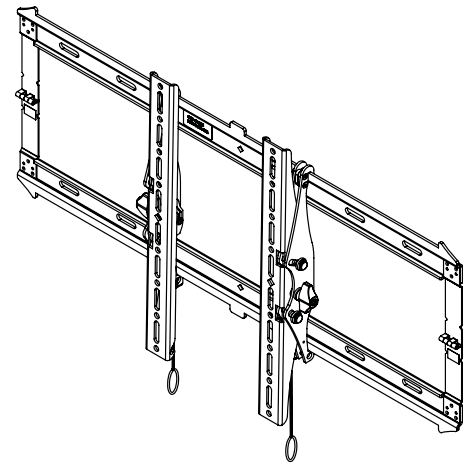
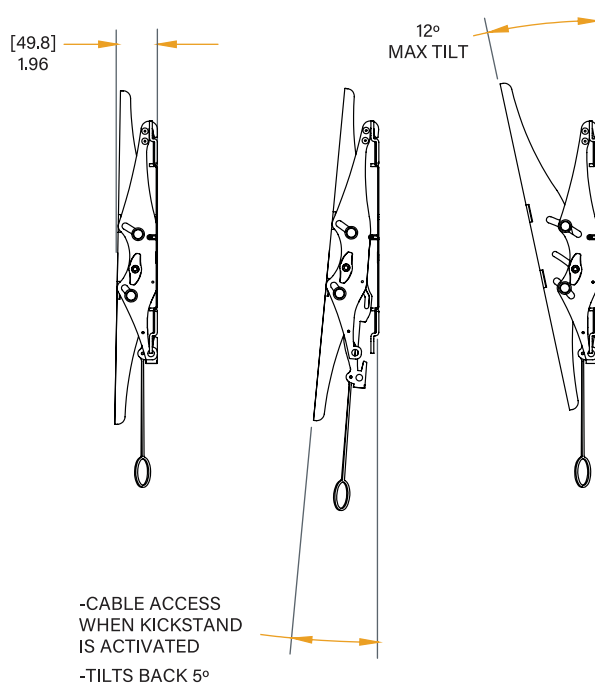
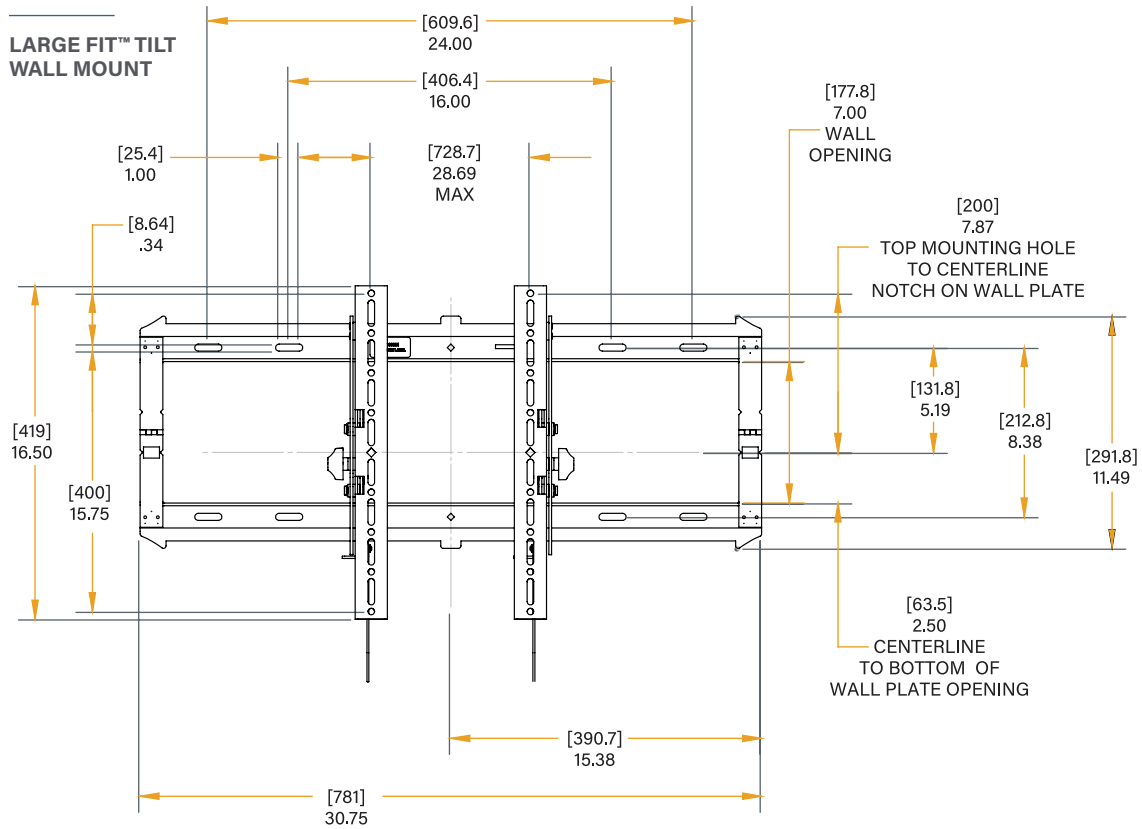
Measurements within brackets [xx.xx] are mm, measurements outside of brackets are inches.

LEGRAND | AV COMMERCIAL BRANDS

C2G | Chief | Da-Lite | Luxul | Middle Atlantic | Vaddio | Wiremold

RLT2

LARGE FIT™ TILT WALL MOUNT



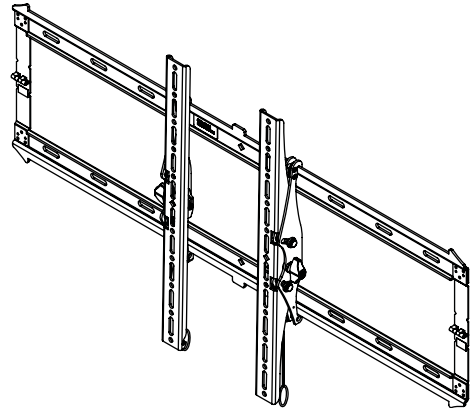
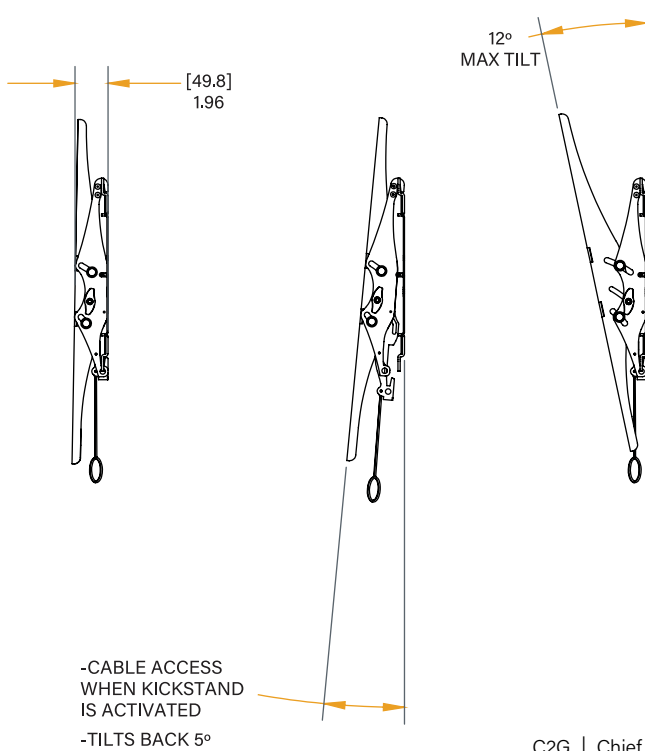
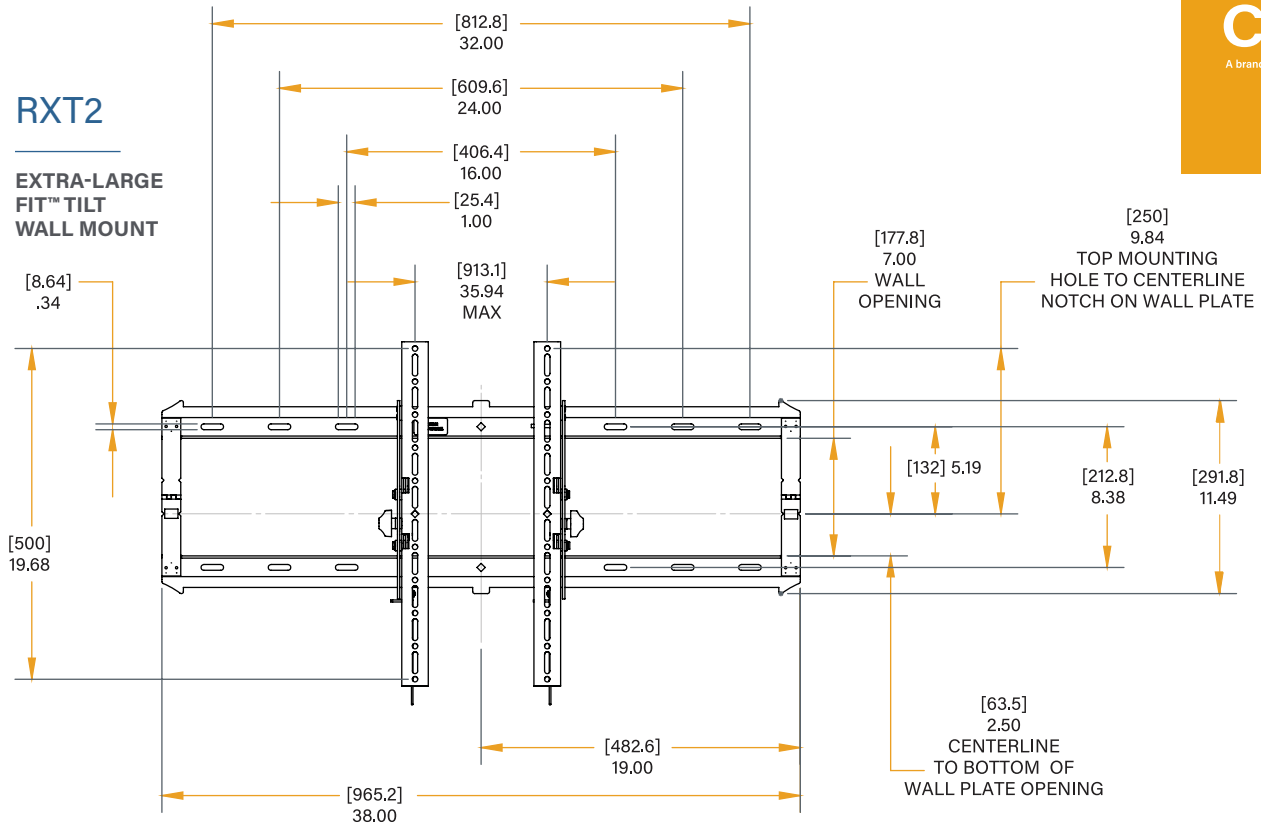
Measurements within brackets [xx.xx] are mm, measurements outside of brackets are inches.

LEGRAND | AV COMMERCIAL BRANDS

C2G | Chief | Da-Lite | Luxul | Middle Atlantic | Vaddio | Wiremold

RXT2

**EXTRA-LARGE
FIT™ TILT
WALL MOUNT**



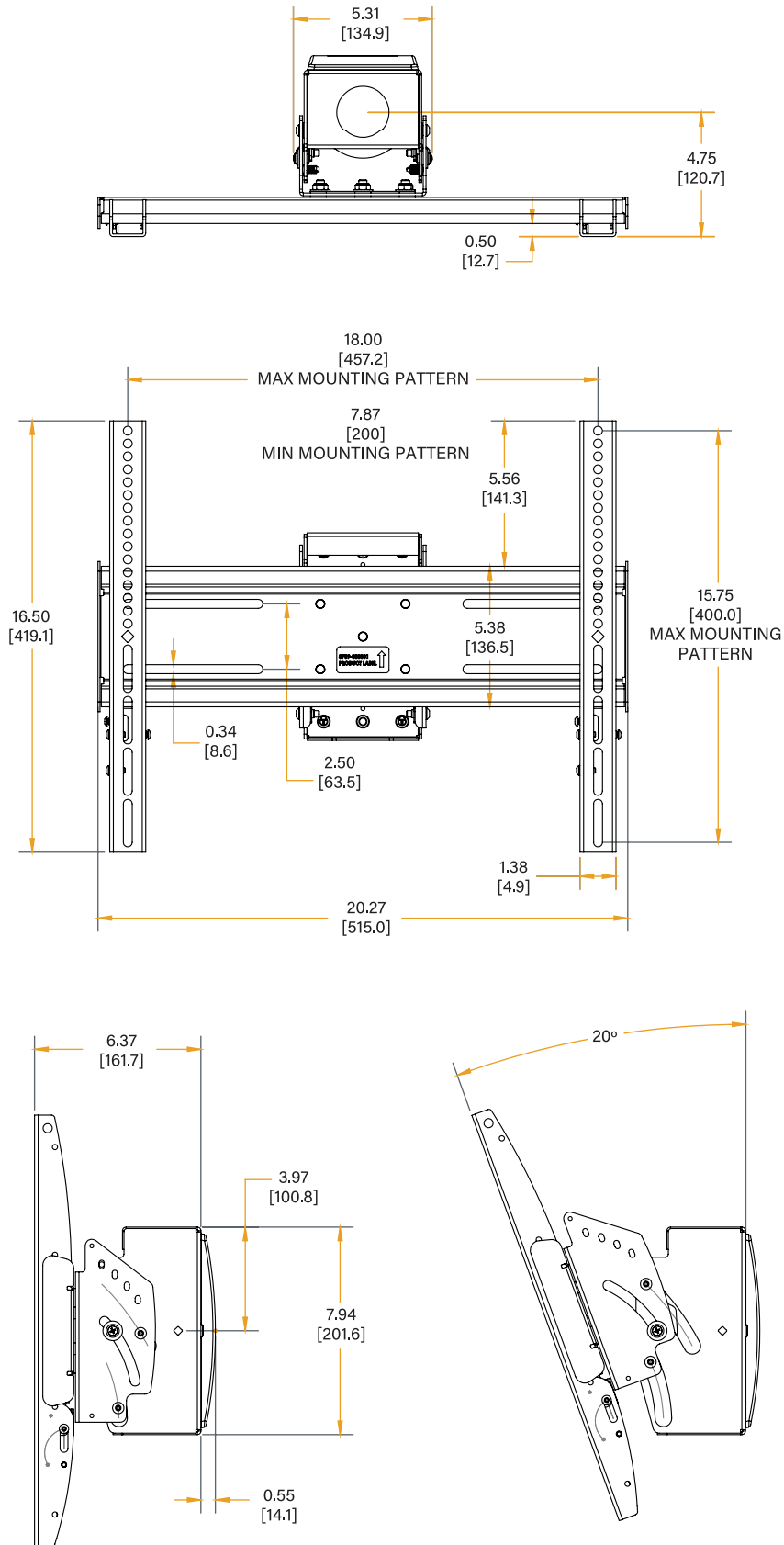
Measurements within brackets [xx.xx] are mm, measurements outside of brackets are inches.

LEGRAND | AV COMMERCIAL BRANDS

C2G | Chief | Da-Lite | Luxul | Middle Atlantic | Vaddio | Wiremold

RMC1

MEDIUM FIT™ CEILING MOUNT



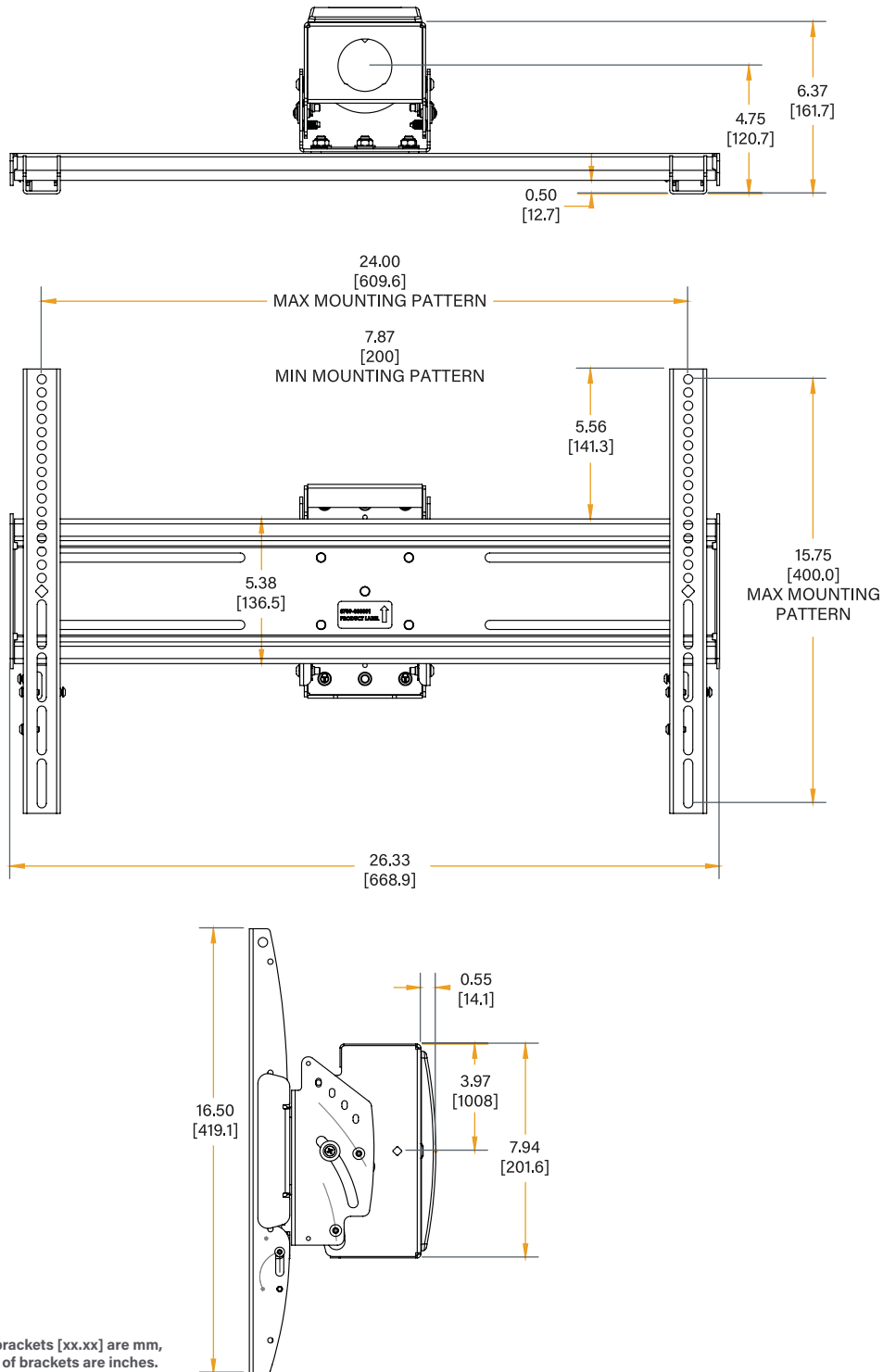
Measurements within brackets [xx.xx] are mm,
measurements outside of brackets are inches.

LEGRAND | AV COMMERCIAL BRANDS

C2G | Chief | Da-Lite | Luxul | Middle Atlantic | Vaddio | Wiremold

RLC1

LARGE FIT™ CEILING MOUNT



Measurements within brackets [xx.xx] are mm, measurements outside of brackets are inches.

LEGRAND | AV COMMERCIAL BRANDS

C2G | Chief | Da-Lite | Luxul | Middle Atlantic | Vaddio | Wiremold

INSTALLER INSPIRED | legrandav.com

USA 866.977.3901 av.chief.support@legrand.com CANADA 877.345.4329 av.chief.canada@legrand.com

EMEA +31 495 580 840 av.emea.sales@legrand.com APAC +852 2145 4099 av.asia.sales@legrand.com

©2021 Legrand AV Inc. 210350 Rev A 5/21 Chief is a registered trademark of Legrand AV Inc. All other brand names or marks are used for identification purposes and are trademarks of their respective owners. All patents are protected under existing designations. Other patents pending.