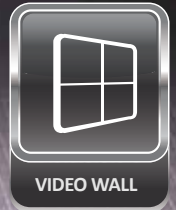


PUSH-IN POP-OUT VIDEO WALL MOUNT



WBLS2

BUILT TO RUN 24 X 7 X 365 CONTINUOUSLY

OVERVIEW

The ORION Images's best value in class Video Wall Mount System features lateral, vertical, horizontal, and plumb adjustments that enable quick installation, easy operation and simple maintenance. Our proprietary Push in - Pop out™ Technology allows a single display to be accessed without any disruption to the rest of the matrix, and the entire grid can be laid out by a single installer.



FEATURES

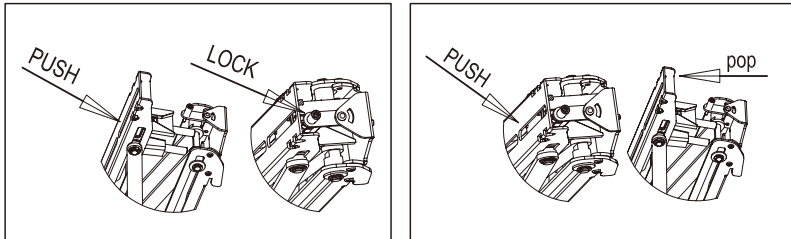
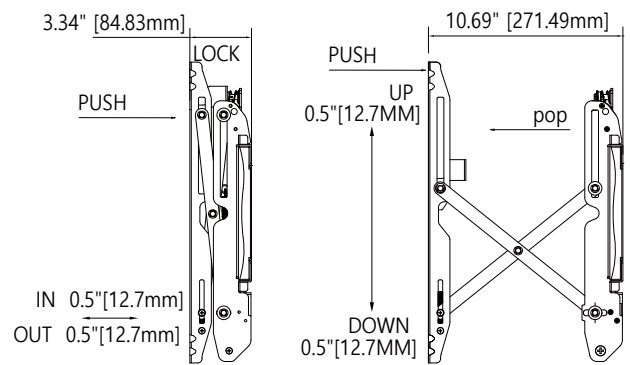
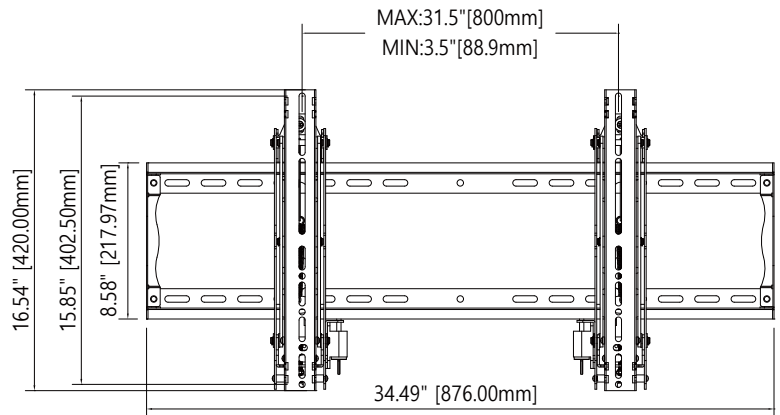
- » **Universal Design/VESA Compatible :**
Fits any hole pattern up to 800x400mm.
- » **Extendable :** Extends up to 10.69" for easy access and wiring.
- » **Screen Size Variety :**
Fits most 37" to 75" flat panel screens weighing up to 200lb (91kg).
- » **Adjustment :**
Features lateral, vertical, horizontal and plumb adjustments that enables easy operation and simple maintenance.
- » **Easy Installation :**
Multiple adjustment points make installation fast and easy
- » **Cable Management :**
Integrated cable management for a clean look.
- » **Included Hardware :**
Pre-sorted hardware pack for easy component selection and installation (hardware for installation to wood studs or concrete surfaces included).

SPECIFICATIONS

WBSL2	
TV size range	37 - 75"
Color	Black
Lateral Adjustment	varies with screen
Maximum Extension	10.69" (271.49mm)
Minimum Depth	3.34" (84.83mm)
Mounting Pattern Compatibility	100x100mm, 200x100mm, 200x200mm, 300x200mm, 300x300mm, 400x300mm, 400x400mm, 600x400mm, 800x400mm
Mounting Surface	wood stud, concrete, cinder block or metal stud (accessory required HT4)
Construction	high-grade cold rolled steel
Product finish	scratch resistant epoxy powder coat
Dimensions (W x H x D)	34.49" x 16.54" x 3.34"
Product Weight	16lbs (7.3kg)
Weight Capacity	200 lbs (91kg)

*Design and specifications are subject to change without notice

DIMENSIONS



CAPABILITY