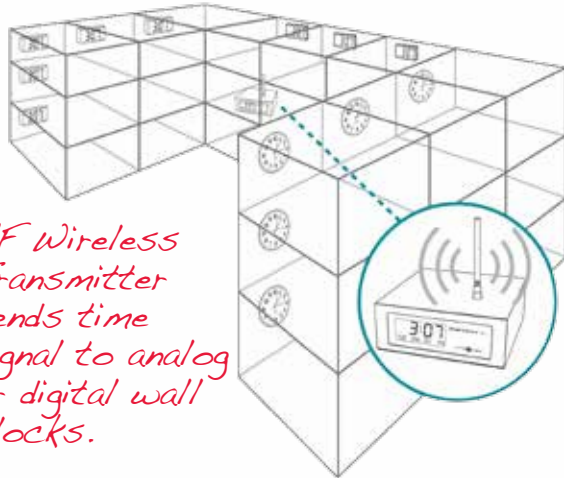




Ethernet RF Wireless Transmitter

Promote productivity, reliability & efficiency with precisely synchronized time throughout an entire facility or campus.

TimeTrax Sync™ RF Wireless Transmitters broadcast time signal over 128 signaling channels to ensure reliable time transmission to analog or digital wall clocks with no interference.



RF Wireless Transmitter sends time signal to analog or digital wall clocks.

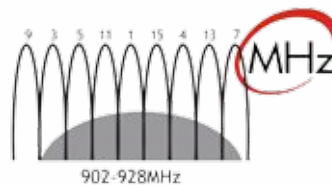
- Captures main time source from Network Time Protocol (NTP) Server or GPS Signal Receiver to ensure reliable time signal
- Broadcasts time signal using dependable frequency-hopping (902-928MHz, 128 signaling channels) to ensure no interference
- Transmits to unlimited number of TimeTrax Sync™ Analog or Digital wall clocks in accordance with Frequency Hopping Spread Spectrum (FHSS)
- No FCC License required for operation
- Automatically adjusts for Daylight Saving Time and power outages for maintenance-free operation
- Easily expandable by adding TimeTrax Sync™ Wireless RF Transmitters and unlimited number of clocks
- Ideally suited for corporate/industrial buildings, small healthcare facilities, schools, universities, renovation, retrofit and new construction applications
- Wall or shelf mount options

RF Wireless Transmitter Ordering Information

TIMETRIX SYNC™ RF WIRELESS TRANSMITTERS

9T1WI*	TimeTrax Sync™ RF Wireless Transmitter (Shelf unit)
S9DWXSLAUB*	TimeTrax Sync™ RF Wireless Transmitter (Wall mount unit)
S9DSXOLAUB	Ethernet RF Wireless Transmitter, shelf unit (add-on transmitter)
42337	Ethernet RF Wireless Transmitter, wall unit (add-on transmitter)

*Includes TimeTrax Sync™ Software.



Time Signal "hops" from frequency to frequency, ensuring clocks receive the correct time despite interference on other frequencies.

Model S9DWXSLAUB
(Wall mount unit)



Model 9T1WI
(Shelf Mount)





Ethernet RF Wireless Transmitter

SPECIFICATIONS

Time Source	NTP Server or 28 GPS Signal Receiver
Frequency Range	902-928MHz (28 channels)
Transmission Coverage	250,000 sq. ft. (dependent upon facility construction and content)
RF Power Output	12VDC, 1.5 Amp. 1W (6ft cord, 1.83m)
Power Input	100-240V AC
AUX Serial Port	Supplies BCD signal for 5300 Single Zone Bell Ringer
Operating Temp	-30°F (-34.44°C) to 130°F (54.44°C)
Housing	Textured powder coat surface metal
Color	Black
Mounting	Shelf (Part #9T1WI) Wall Mount (Part #S9DWXSLAUB)
Warranty	3-Year manufacturer's limited warranty
Guarantee	30-Day money back guarantee
UL Listed	12 VDC 1.5A Power Supply
Compliance	FCC, part 15, section 15.247 FCC ID# WC7H9ALG1
Includes	Transmitter, TimeTrax Sync™ Software (SASDLCWDXX), 20ft Cat5E Cable, Transformer & Quick Start Guide

SIZE 9T1WI (Shelf Unit)

Dimensions	6.5"W x 2.5"H x 6.5"D (16.5cm x 6.4cm x 16.5cm)
Antenna Length	5" (12.7cm)
Weight	2.15lbs (.975kg)
Shipping Weight	3.9lbs (1.76kg)

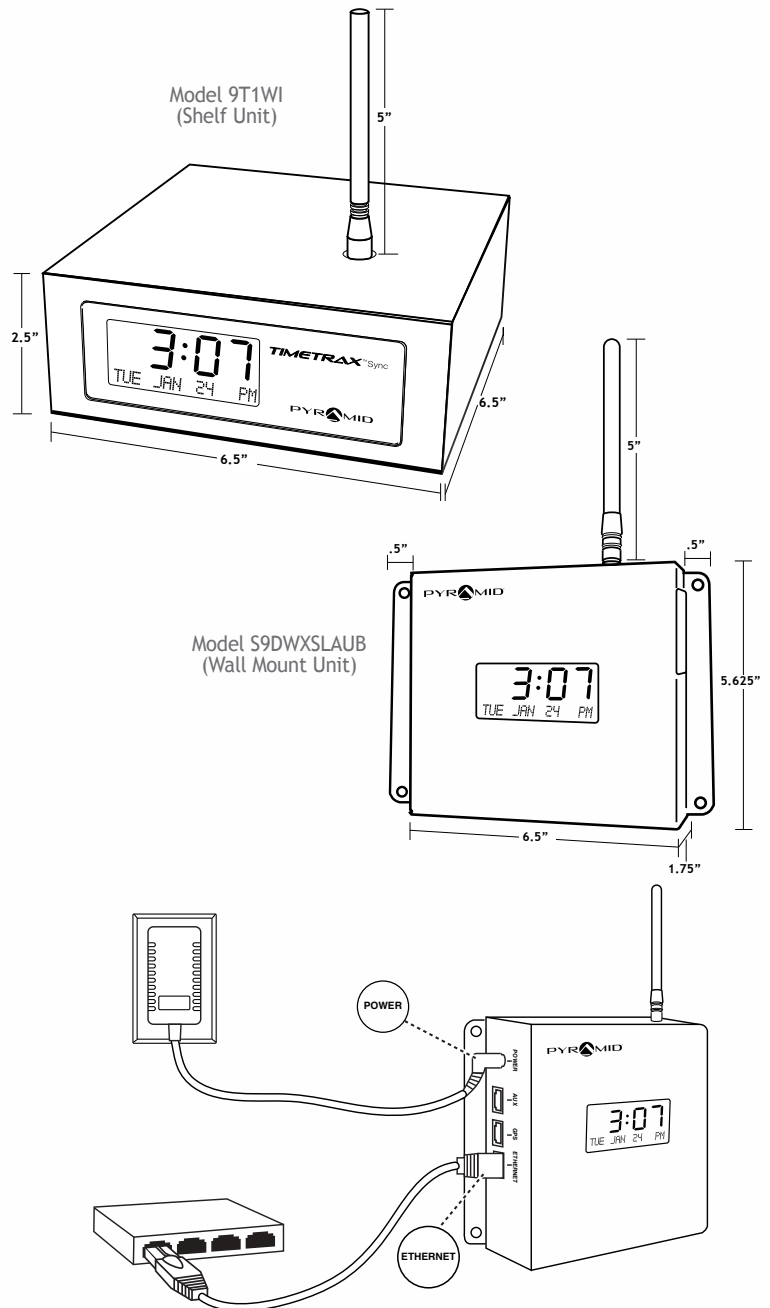
SIZE S9DWXSLAUB (Wall Mount Unit)

Dimensions	6.5"W (16.51cm) x 5.625"H (12.85cm) x 1.75"D (4.44cm)
Antenna Length	5" (12.7cm)
Weight	1.65lbs (.748kg)
Shipping Weight	3.35lbs (1.519kg)

ACCESSORIES

S9DSXOLAUB	Ethernet RF Wireless Transmitter, shelf unit (add-on transmitter)
42337	Ethernet RF Wireless Transmitter, wall unit (add-on transmitter)
42328	GPS Signal Receiver
42317	RF Wireless Transmitter Wall Rack

See RF Wireless Analog or Digital Clock smart sheets



Simple Setup.

Simply plug the RF Wireless transmitter (sold separately) into a standard electrical outlet and Ethernet port to establish a network connection. Transmitter sends time signal to wall clocks.

