

Dual Head DVI-D, USB Keyboard, Mouse and Audio Extender Over Cat5e/6



SDX-2P

Dual DVI-D, Dual RS-232, Audio and USB Keyboard and Mouse Extender

Extend Dual DVI-D, Dual RS-232, USB and Audio up to 400 Feet Over Two Cat5/5E/6 Cables

OVERVIEW

Using HDBaseT technology, the SDX-2P DVI extender is capable of sending dual DVI-D signals up to 400 feet over two conventional and inexpensive CAT5/5e/6 cables. HDBaseT technology is superior to older DVI extenders that require a special CAT6 shielded cable to go a short distance. The SDX-2P also has USB keyboard and mouse, audio and RS-232 extension, giving users the ability to control displays or devices remotely.

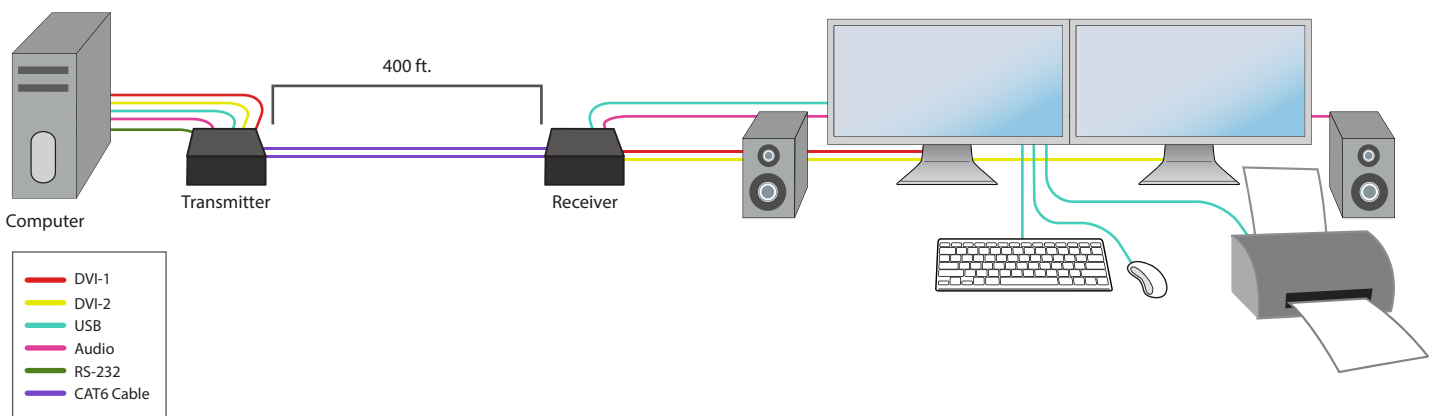
FEATURES

- Extends dual DVI-D up to 400 feet (120m) from the source
- HDCP Support
- Supports up to 1920x1200 digital video resolution @ 60Hz
- Supports 4K/2K (3840x2160) video resolution @ 30Hz
- Automatic DDC Learning
- USB Keyboard and Mouse extension
- Uncompressed Video using HDBaseT
- RS-232 extension allows for remote control of displays
- External power adapter for transmitter and receiver unit
- Supports Stereo Sound
- Compatible with Windows, Mac and Linux Operating Systems

APPLICATIONS

- Digital Signage
- Security
- PC Networking
- Conference Center Systems
- Point of Sale
- Camera Surveillance
- Video Phone
- Control Room Systems
- Recording Studio
- PC KVM Extension

APPLICATION DIAGRAM



SPECIFICATIONS

VIDEO	
Format	DVI-D
Maximum Pixel Clock	165 MHz
Input Interface (TX)	(2) DVI-D 29-pin female
Output Interface (RX)	(2) DVI-D 29-pin female
Resolution	Up to 1920 x 1200 @ 60Hz AND Up to 4K/2K (3840x2160) @ 30Hz
DDC	5 volts p-p(TTL)
Input Equalization	Automatic
Input Cable Length	Up to 20 ft.
Output Cable Length	Up to 20 ft.
RS-232	
Input Interface (TX)	(2) DB9 (Female)
Output Interface (RX)	(2) DB9 (Female)
Speed	@ 115 Kbps
IR	
Input Interface (TX)	(1) 3.5 mm (Female)
Output Interface (RX)	(1) 3.5 mm (Female)
Frequency Response	30KHz to 80KHz
OTHER	
Power	External 100-240 VAC/5VDC3A @20W
Dimensions	5.125 in W x 1 in H x 3.625 in D
Weight	0.5 lb
Operating Temp.	0-55 °C (32-131°F)
Storage Temp.	-20-85 °C (-4-185 °F)
Humidity	Up to 95%

Part No.	Description
SDX-2P-S	Dual DVI-D, USB, Dual RS-232, Audio Extender. Includes: [SDX-2P-TX, SDX-2P-RX, 2x(PS5VDC3A)]

 Designed and Manufactured in the USA