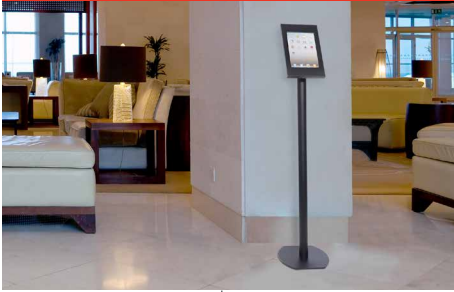


PTS510I(-S)(-W)



Display Size
9.7"



Max Load
5lb (2.3kg)

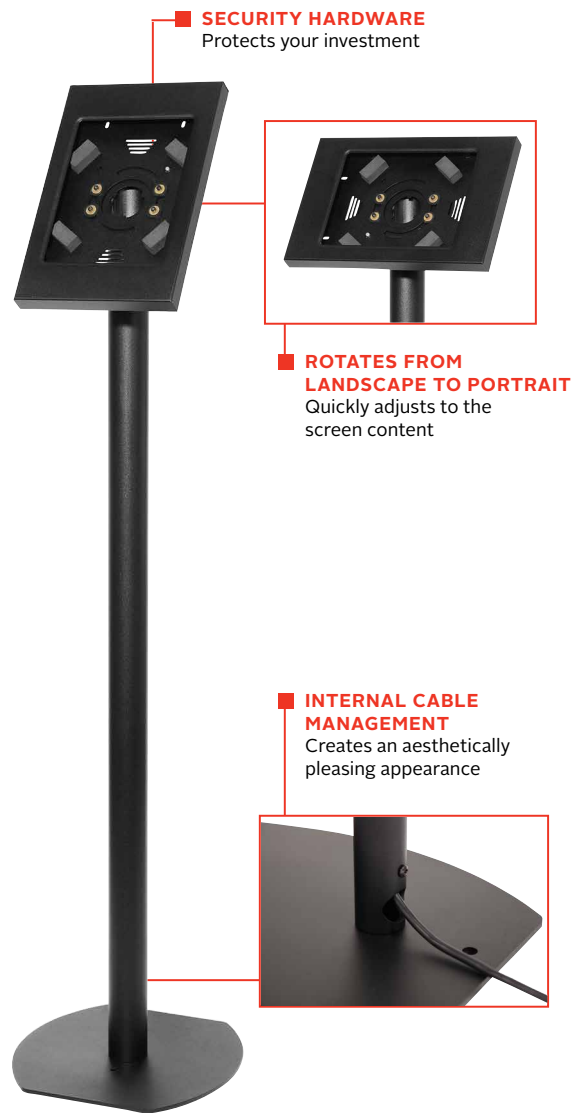
Kiosk Floor Stand

FOR IPAD® TABLETS

The lightweight and durable Kiosk Floor Stand for iPad® Tablets from Peerless-AV® is the ideal digital signage solution for permanent or temporary exhibits. The convenient pull pin device, on the back of the stand, quickly and easily allows the user to rotate the screen to match the orientation of the content. Internal cable management allows the cables to exit the rear of the stand, or continue through the base, for a clean appearance. Clearance holes in the base allow the user to secure the stand to the floor or leave free standing for quick repositioning.

- Optimized for tablets such as the Apple® iPad® 2, iPad® 3, iPad® 4, iPad® 6, iPad Air® or iPad Air® 2
- Cable management options include routing through the base or through the rear bottom of the pole
- Socket pin security screws keep the tablet secured within the enclosure
- Base can be free standing or bolted to the floor to increase security

Note: Tablet not included



RoHS
COMPLIANT

Please visit peerless-av.com/en-us/patents for patent information.

PTS510I(-S)(-W)	Kiosk Floor Stand for iPad® Tablets
-----------------	-------------------------------------

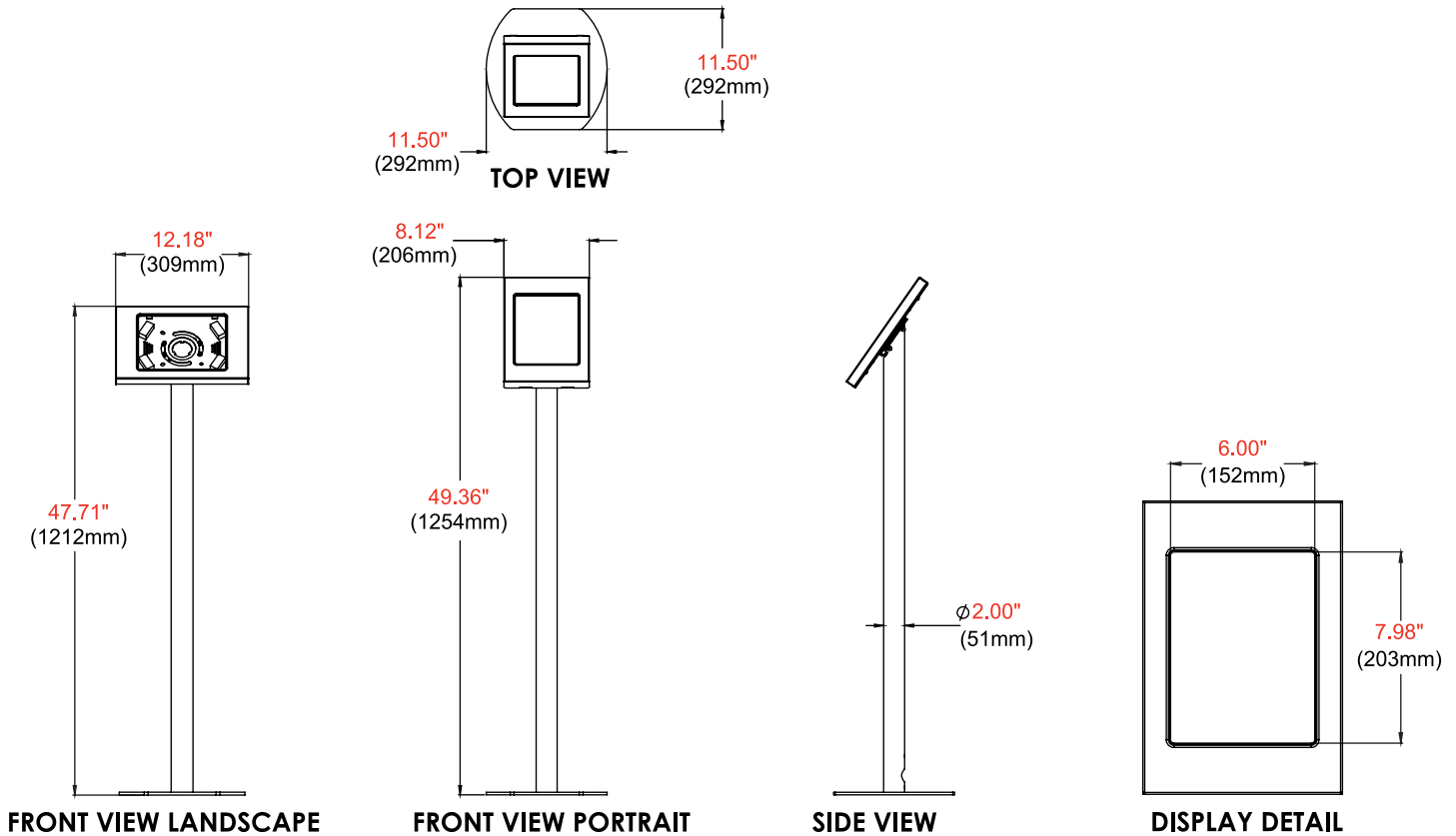
Product Specifications

	DIMENSIONS (W x H x D)	PRODUCT WEIGHT	LOAD CAPACITY	FINISH	AVAILABLE COLORS
PTS510I(-S)(-W)	11.50" x 49.36" x 11.50" (292 x 1254 x 292mm)	24lb (10.9kg)	5lb (2.3kg)	Powder Coat	PTS510I: Black PTS510I-S: Silver PTS510I-W: White

Package Specifications

	PACKAGE SIZE (W x H x D)	PACKAGE SHIP WEIGHT	PACKAGE UPC CODE	PACKAGE CONTENTS	UNITS IN PACKAGE
PTS510I(-S)(-W)	48.00" x 12.00" x 6.00" (1219 x 305 x 152mm)	38lb (17.3kg)	PTS510I: 735029292746 PTS510I-S: 735029292753 PTS510I-W: 735029296256	Base Plate, Tube, Housing & Assembly Hardware	1

All dimensions = inch (mm)



Architect Specifications

The Kiosk Floor Stand For iPad® Tablets shall be a Peerless-AV model PTS510I(-S)(-W) and shall be located where indicated on the plans. Assembly and installation shall be done according to instructions provided by the manufacturer.

Visit peerless-av.com to see the complete line of AV solutions from Peerless-AV, including outdoor displays, wireless, kiosks, digital audio, display mounts, projector mounts, carts/stands, and a full assortment of accessories.

Peerless-AV
2300 White Oak Circle
Aurora, IL 60502 USA
(800) 865-2112
(630) 375-5100
Fax: (800) 359-6500

Peerless-AV EMEA
Unit 3 Watford Interchange
Colonial Way, Watford
Herts, WD24 4WP
United Kingdom
+44 (0) 1923 200100
Fax: +44 (0) 1923 200101

Peerless-AV Latin America
Av. de las Industrias 413
Parque Industrial Escobedo
General Escobedo, N.L.,
México, 66062
+52 (81) 8384-8300
Fax: +52 (81) 8384-8360

