

SPEC SHEET

COLLABORATE™ SD Camera, 910-401-190, 910-401-192

CLEARONE DOCUMENT DOC-0058-001
(REVISION 1.0) September, 2012

COLLABORATE SD PTZ CAMERA SPECIFICATION SHEET

This Specification Sheet details the characteristics of the ClearOne COLLABORATE SD PTZ video conference camera models -
COLLABORATE SD PTZ (NTSC) Camera (910-401-190)
COLLABORATE SD PTZ (PAL) Camera (910-401-192)

Key Features

Pan/Tilt:

- Step motor driving, accurate positioning and quick response.
- Attractive appearance.
- Fast, stable and quiet.

Camera:

- Built-in 18x optical zoom camera, with quick, accurate and stable auto focus lens.
- BLC.
- Preset's video freeze function.

Built-in Code:

- Integrated multi-protocol code: P/D protocol, VISCA protocol.
- Built-in OSD menu so users can control the camera and pan/tilt via the menu.
- Power off memory — the movement before power off can be memorized.
- Power on self-restoring style — users can assign the dome movement after powering on.
- Change speed proportionally — pan/tilt speed declines proportionally with the increasing of zoom rate.

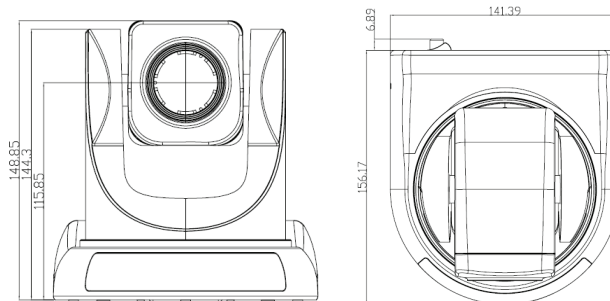


- Data pass-through function.
- 255 preset positions for P/D protocol and 16 preset positions for VISCA protocol, with error less than $\pm 0.1^\circ$.
- RS-232 remote control (VISCA protocol), cascading function.
- RS-485 remote control, can control the camera within a maximum distance of 1200 meters.
- Multi function controller.
- On-desk or in-ceiling mount.

Certifications:

- Meets CE, FCC, and RoHS standards.

Dimensions



Technical Parameters

Camera	
Sensor	1/4 inch high quality EXVIEW HAD CCD sensor
Video Signal	1.0±0.1VP-P (75Ω, compound)
Zoom	18x optical zoom; f=4.1 - 73.8mm, F1.4 - 3.0
View Angle	2.8° (distance) - 48° (close)
Minimum LUX	1.0 LUX (Color); 0.01 LUX (B/W)
White Balance	Auto/ Sunlight/ Cloudy/ Darkness/ Fluorescence
Focus	Auto/ Manual
Iris	Auto/ Manual
Electronic shutter	Auto
BLC	Open/Close
S/N Ratio	>50dB

Pan/Tilt	
Pan Rotation	360°
Tilt Rotation	-30° ~ +90°
Pan Control Speed	0.5-80°/sec.
Tilt Control Speed	0.5-40°/sec.
Preset Running Speed	Pan:80°/sec. Tilt:40°/sec.
Preset Position	255 preset positions

Input/Output Interface	
Compound Video Interface	RCA jack, Compound video 1Vp-p,75Ω none balance
S-Video Output	4-pin mini DIN(1)
Control Signal Interface	8 mini DIN
Control Signal Format	Start bit: 1; Data bit: 8; Stop bit: 1; Baud Rate: 9600bps
Power Interface	HEC3800 Power Jack

Electronic	
Power Adaptor	110VAC - 220VAC to 12VDC/2A
Input voltage	12VDC
Consumption	12W

Structure	
Material	All-alloy, PC plastic
Weight	2KG
Color	Black
Dimension	156.17mm x 141.39mm x 148.85mm
Packing	Carton and EPE

Environment	
Working temperature	0°C ~ 45°C
Storage temperature	-10°C ~ 60°C
Working humidity	20%~80%
Storage humidity	20%~70%
Application	For indoor use

Protection	
Protection	IP40, With surge and lightning protector
	Meeting CE,FCC standards and has ROHS Certification