

# AMR1S

## Single Flat Panel Monitor Stand With VESA mounting Support

The AMR1S is a height adjustable monitor stand that supports an up/down range of 130mm. Compatible with VESA 100x100/75x75 and suitable for monitor sizes 15" to 27". SEE MORE and DO MORE™ with features like:

1. Height Adjust
2. Smart Torque Adjust
3. Cable Management

With the move of a finger, AMR1S makes it easy to achieve your desired working position!



### Specifications

#### General

Max Hole Pitch:	• 100x100/75x75mm	Screw Type:	• M4
Material:	• Steel/Aluminum/Plastic	Dimensions:	• (W*H*D) 219*251*410 mm 8.62"x9.88"x16.10"
Weight Capacity:	• 3.12kg (6.88 lbs)	Swivel:	• 360°
Tilt:	• -5°(down)~20°(up)	Rotate(Pivot):	• 360°
Height Adjustment Range:	• 130mm	Support Max Weight:	• 8kg (17.6lbs)
Compliant with VESA:	• 100x100 & 75x75mm mount	Support Flat Panel Size:	• 15" - 27"

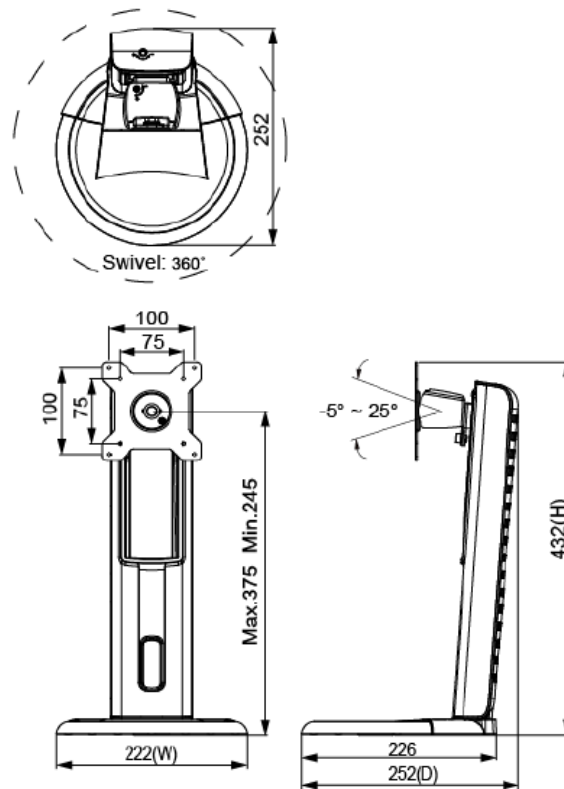
#### Warranty and Support

Warranty: 3 Years  
Support: Free technical support (phone/email)

# AMR1S

Single Flat Panel Monitor Stand With VESA mounting Support

## AMR1S



Measurements in mm (millimeters)



[www.amer.com](http://www.amer.com) / [www.amermounts.com](http://www.amermounts.com)

sales@amer.com  
1-800-262-9703

Specifications subject to change without notice. Errors and omissions excepted. All trademarks are properties of their respective owners.

Revision 2.03