



# Quam

BACK BOXES

## ERD8U

ROUND

UL LISTED - Steel, 262 CID,  
Two (2) Snap-In, Tie-Off Straps

### GENERAL DESCRIPTION

The ERD8U is a UL Listed, 262 CID, round, stackable, steel loudspeaker back box with a circular, molded polystyrene damping pad fitted to the inside top of the enclosure with two (2) snap-in, tie-off straps included.

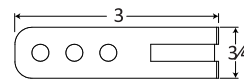
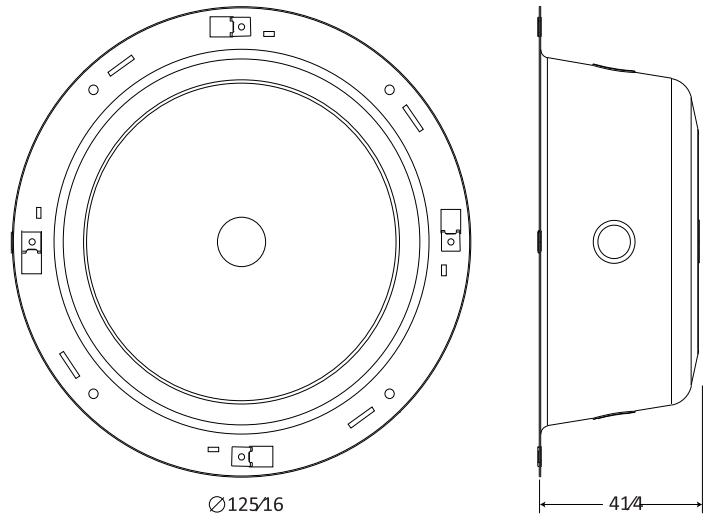
### INTENDED USE - Indoor Environment

UL Listed 1480 (UUMW) As a Fire Signaling Device	When installed with supplied instructions and requirements of NFPA 72, NEC and AHJ
UL Listed 2043	Suitable for use in air handling spaces



### MECHANICAL SPECIFICATIONS

Internal Displacement	262 Cubic Inches (CI)
Attachment Points	2X Snap-In, Tie-Off Straps
Attachment to Tile Bridge	Twist Tabs Through Side Flange
Electrical Access	Top: 1X Side: 4X - 90° Apart



Snap-In, Tie-Off Strap

(not to scale)

Recommended construction sequences, installation instructions, and A&E Specifications are available in various formats in the QUAM Architects' and Engineers' Resources section on the web at: <a href="http://www.QuamSpeakers.com">www.QuamSpeakers.com</a>					QUAM-NICHOLS COMPANY, INC. 234 East Marquette Rd. Chicago, IL. 60637 Tel: 1-800-NEED-NOW (800-633-3669) Fax: 1-888-NEED-NOW (888-633-3669) e-mail: NeedNow@QNC.com <a href="http://www.QuamSpeakers.com">www.QuamSpeakers.com</a>
© 2013 Quam-Nichols Company reserves the right to make changes and/or improvements to its products at any time and without notice.					