

SOLUTION 1

CEILING MOUNT

Includes TWO (2) Each : C10X/BU/WS, ERD8U, SSB-3



GENERAL DESCRIPTION

The **SOLUTION 1** is a complete speaker/transformer/baffle solution for ceiling installations. Each installer package includes two (2) C10X/BU/WS - The 8C10PAX - 8" O.D. dual cone loudspeaker with a 10 oz. magnet and a TBLU - 5W-25/70V transformer mounted on a BR8WS - round, steel, stud mount baffle. Also included are two (2) SSB-3 - rust-resistant steel, load bearing supports and two (2) ERD8U - 275 CID, round, steel back boxes.

*** SHIPPED AS A COMPLETE PAIR IN ONE CARTON**

INTENDED USE - Indoor Environment

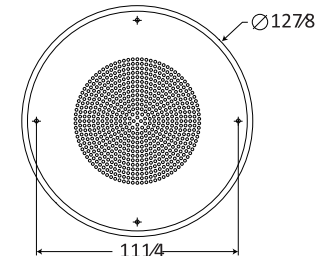
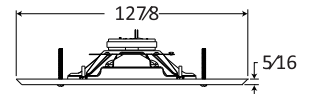
Program Material	Signal tones, voice, and music
Installation	Downward-Firing in a 24" Wide, Drop-Tile Ceiling

AUDIO SPECIFICATIONS

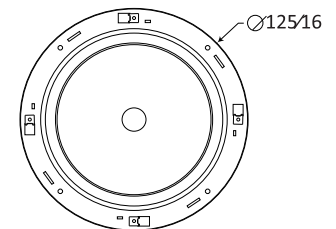
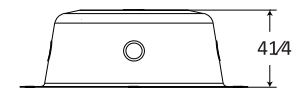
Average Sensitivity	95 dB SPL, 1W/ 1M
Loudspeaker Power Rating	20W RMS, EIA 426A Standard
Calculated Output	102dB SPL, 5W/ 1M
Magnet Type & Weight	BeFe Ceramic, 10 oz. Nominal
Frequency Response	60Hz - 17 kHz EIA 426A Standard
Nominal Coverage Angle	90° Included Angle, -6 dB / 2 kHz, Half space
Audio Connection	7" Color Coded Leads

SYSTEM COMPONENTS

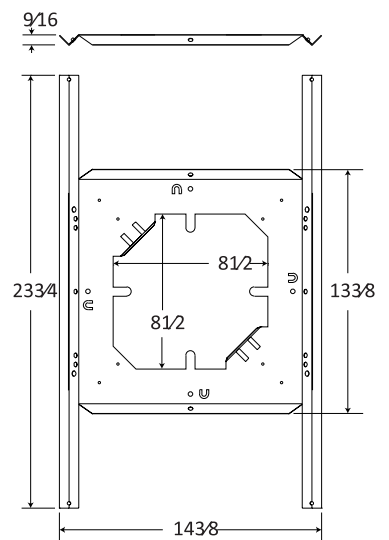
Loudspeaker	8C10PAX
Transformer	5W-25/70V : 5 tap, Color Coded Leads (5W, 2.5W, 1.25W, 0.63W, 0.31W)
Baffle	BR8WS
Back Box	ERD8U
Mounting Device	SSB-3



C10X/BU/WS



ERD8U



SSB-3

<p>Recommended construction sequences, installation instructions, and A&E Specifications are available in various formats in the QUAM Architects' and Engineers' Resources section on the web at: www.QuamSpeakers.com</p>				<p>QUAM-NICHOLS COMPANY, INC. 234 East Marquette Rd. Chicago, IL. 60637 Tel: 1-800-NEED-NOW (800-633-3669) Fax: 1-888-NEED-NOW (888-633-3669) e-mail: NeedNow@QNC.com www.QuamSpeakers.com</p>
<p>© 2013 Quam-Nichols Company reserves the right to make changes and/or improvements to its products at any time and without notice.</p>				