



Quam

LOUDSPEAKER ASSEMBLIES

C10X/B70/WS

CEILING MOUNTED

8" O.D. Loudspeaker with a 10 oz. Magnet, 4W-70V Transformer, Stud-Mount Baffle

GENERAL DESCRIPTION

The C10X/B70/WS consists of an 8C10PAX - 8" O.D. dual cone loudspeaker with a 10 oz. magnet, TBL70 - 4W-70V transformer, and a BR8WS - round, stud-mount baffle in a white powder coat finish.

INTENDED USE - Indoor Environment

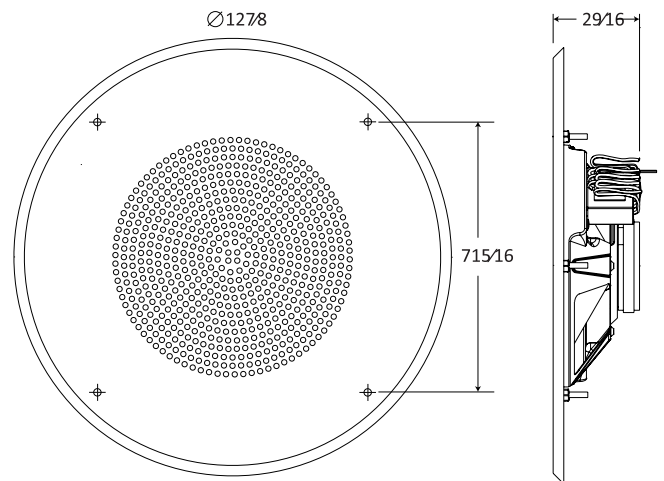
Program Material | Signal tones, voice, and music

AUDIO SPECIFICATIONS

Average Sensitivity	95 dB SPL, 1W/ 1M
Loudspeaker Power Rating	12W RMS, EIA 426A Standard
Maximum Power Rating	15W @ 8 Ohms
Calculated Output	101 dB SPL, 4W/ 1M
Magnet Type & Weight	BeFe Ceramic, 5 oz. Nominal
Frequency Response	65 Hz - 17 kHz EIA 426A Standard
Nominal Coverage Angle	100° Included Angle, -6 dB / 2 kHz, Half space
Audio Connection	7" Color-Coded Leads
Wattage Taps	0.25W, 0.50W, 1W, 2W, 4W

RECOMMENDED QUAM COMPONENTS

Enclosures	ERD-8, ERD8U
Mounting Device	SSB-2, SSB-3, SSB-7



Recommended construction sequences, installation instructions, and A&E Specifications are available in various formats in the QUAM Architects' and Engineers' Resources section on the web at: www.QuamSpeakers.com

© 2013 Quam-Nichols Company reserves the right to make changes and/or improvements to its products at any time and without notice.



QUAM-NICHOLS COMPANY, INC.
234 East Marquette Rd.
Chicago, IL. 60637
Tel: 1-800-NEED-NOW (800-633-3669)
Fax: 1-888-NEED-NOW (888-633-3669)
e-mail: NeedNow@QNC.com
www.QuamSpeakers.com