

FPECMI-01
 FPECMI-02
 FPECMI-03
 FPECMI-04

Indoor/Outdoor Tilting I-beam Mount for Protective Enclosures (FPE42(H)-S, FPE47(H)-S & FPE55(H)-S)

Peerless Indoor/Outdoor Tilting I-beam Mount is made from robust, corrosion resistant materials, primed with special e-coat and comes with stainless steel hardware, designed to last in virtually any environment. This mount expedites and simplifies indoor and outdoor installations with hook-and-hang set-up and viewing angle adjustment. It is the ideal solution for mounting a Protective Enclosure to an I-beam for any entertainment and digital signage installation.



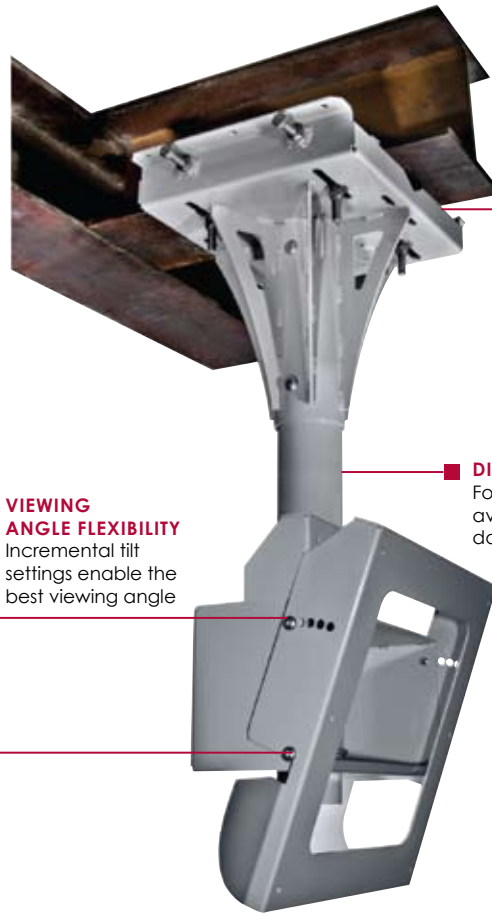
Screen size: 40"-55"



Max load: 400lb (181kg)

FEATURES

- For indoor or outdoor use
- Constructed from corrosion resistant materials, coated with a special e-coat and comes with stainless steel hardware to endure the harshest environments
- Incremental tilt settings from 0° to 20° to find the perfect viewing angle
- Adjustable I-beam adapter supports installation to I-beams with flange width of 5.45" min and 12.45" max
- Available in 1 to 4 foot pole length options for varied drop down requirements
- 360° lock-in-place swivel makes it easy to set the perfect viewing angle without having to adjust the ceiling base



I-BEAM COMPATIBILITY
 Adjustable I-beam adapter supports flange size variation

DISPLAY HEIGHT OPTIONS
 Four pole length options available for varied drop down display height needs

VIEWING ANGLE FLEXIBILITY
 Incremental tilt settings enable the best viewing angle

SIMPLE SET-UP
 Hook-and-hang design helps attach enclosure to mount and hold the weight load while fine tuning adjustments



For use with Peerless Protective Enclosures, sold separately



RoHS
 2002/95/EC

MADE IN USA

Model Numbers

FPECMI-01:	1ft. Indoor/Outdoor Tilting I-Beam Mount for Protective Enclosures (FPE42(H)-S, FPE47(H)-S & FPE55(H)-S)
FPECMI-02:	2ft. Indoor/Outdoor Tilting I-Beam Mount for Protective Enclosures (FPE42(H)-S, FPE47(H)-S & FPE55(H)-S)
FPECMI-03:	3ft. Indoor/Outdoor Tilting I-Beam Mount for Protective Enclosures (FPE42(H)-S, FPE47(H)-S & FPE55(H)-S)
FPECMI-04:	4ft. Indoor/Outdoor Tilting I-Beam Mount for Protective Enclosures (FPE42(H)-S, FPE47(H)-S & FPE55(H)-S)

Product Specifications

	DIMENSIONS (W x H x D)	PRODUCT WEIGHT	LOAD CAPACITY	FINISH	AVAILABLE COLORS
FPECMI-01	18.79" x 41.44" x 18" (477 x 1052 x 457mm)	77lb (34kg)	400lb (181kg)	Outdoor gloss powder paint	Stone gray
FPECMI-02	18.79" x 53.44" x 18" (477 x 1357 x 457mm)	81lb (36kg)			
FPECMI-03	18.79" x 65.44" x 18" (477 x 1662 x 457mm)	85lb (38kg)			
FPECMI-04	18.79" x 77.44" x 18" (477 x 1966 x 457mm)	90lb (40kg)			

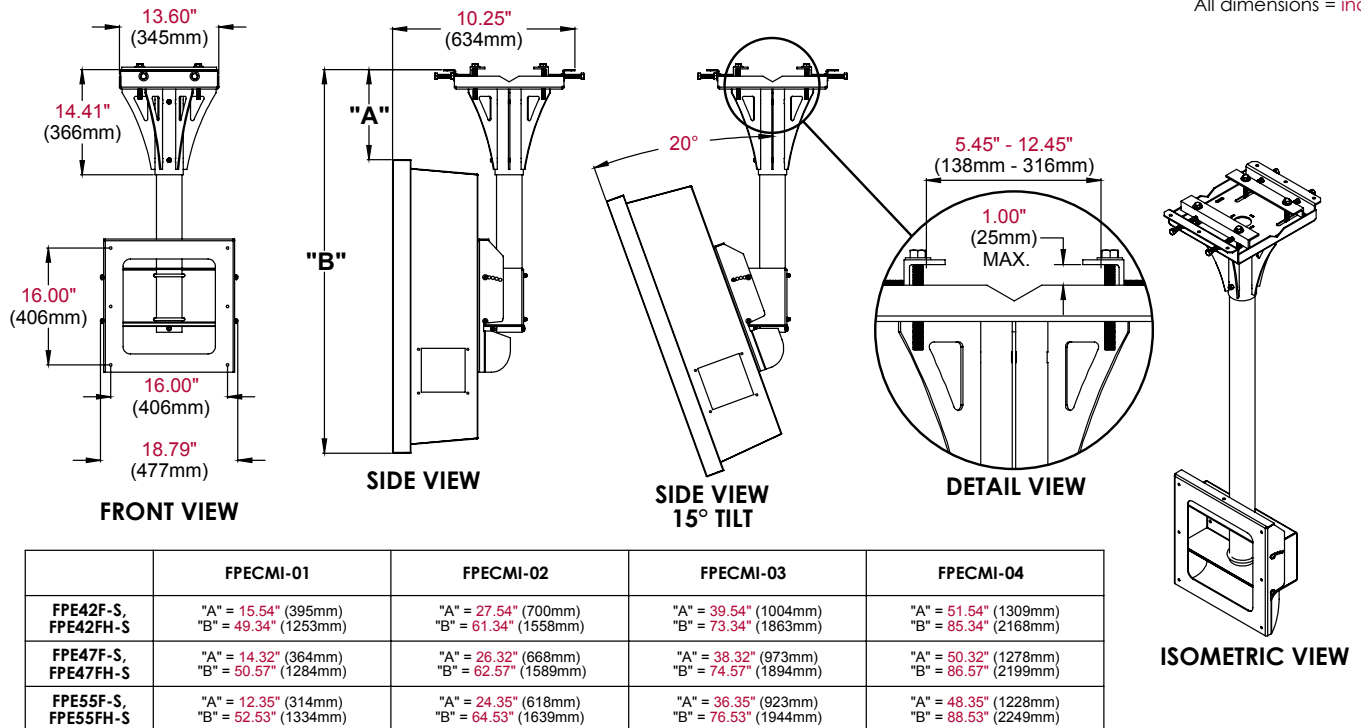
Package Specifications

	PACKAGE SIZE (W x H x D)	PACKAGE SHIP WEIGHT	PACKAGE UPC CODE	PACKAGE CONTENTS	UNITS IN PACKAGE
FPECMI-01	Box 1: 24" x 20" x 11" (610 x 508 x 279mm) Box 2: 19" x 17" x 15" (483 x 432 x 381mm) Box 3: 35" x 4" x 4" (889 x 101 x 101mm)	79 lb (36kg)	735029273110	I-beam mount and mounting hardware	1
FPECMI-02	Box 1: 24" x 20" x 11" (610 x 508 x 279mm) Box 2: 19" x 17" x 15" (483 x 432 x 381mm) Box 3: 47" x 4" x 4" (1194 x 101 x 101mm)	83lb (38kg)	735029273080		
FPECMI-03	Box 1: 24" x 20" x 11" (610 x 508 x 279mm) Box 2: 19" x 17" x 15" (483 x 432 x 381mm) Box 3: 59" x 4" x 4" (1499 x 101 x 101mm)	88lb (40kg)	735029273134		
FPECMI-04	Box 1: 24" x 20" x 11" (610 x 508 x 279mm) Box 2: 19" x 17" x 15" (483 x 432 x 381mm) Box 3: 59" x 4" x 4" (1499 x 101 x 101mm)	93lb (42kg)	735029273141		

Accessories

FPE42F-S:	Indoor/Outdoor Protective Enclosure with Cooling Fans for 40"-42" Flat Panel Screens
FPE47F-S:	Indoor/Outdoor Protective Enclosure with Cooling Fans for 46"-47" Flat Panel Screens
FPE55F-S:	Indoor/Outdoor Protective Enclosure with Cooling Fans for 52"-55" Flat Panel Screens
FPE42FH-S:	Indoor/Outdoor Protective Enclosure with Cooling Fans and Thermostat Controlled Heater for 40"-42" Flat Panel Screens
FPE47FH-S:	Indoor/Outdoor Protective Enclosure with Cooling Fans and Thermostat Controlled Heater for 46"-47" Flat Panel Screens
FPE55FH-S:	Indoor/Outdoor Protective Enclosure with Cooling Fans and Thermostat Controlled Heater for 52"-55" Flat Panel Screens

All dimensions = inch (mm)



ARCHITECTS SPECIFICATIONS

The Indoor/Outdoor Tilting I-Beam Mount shall be a Peerless model number FPECMI and located where indicated on the plans. Assembly and installation shall be done according to instructions provided by the manufacturer. Mount is made of heavy gauge cold rolled steel. Mount is finished with a glossy ASA-70 gray protective paint.