

FPECMC-01
FPECMC-02
FPECMC-03
FPECMC-04

Indoor/Outdoor Tilting Concrete Ceiling Mount

For Protective Enclosures FPE42(H)-S, FPE47(H)-S & FPE55(H)-S

Indoor/Outdoor Tilting Concrete Ceiling Mount is made from robust, corrosion resistant materials, primed with special e-coat and comes with stainless steel hardware, designed to last in virtually any environment. This mount expedites and simplifies indoor and outdoor installations with hook-and-hang set-up and viewing angle adjustment. It is the ideal solution for mounting a Protective Enclosure to a concrete ceiling for any entertainment and digital signage installation.



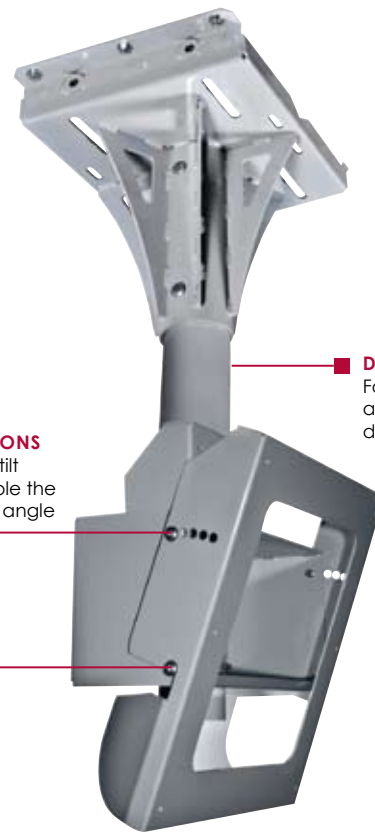
Display size: 40"-55"



Max load: 400lb (181kg)

FEATURES

- Constructed from corrosion resistant materials, coated with a special e-coat and comes with stainless steel hardware to endure the harshest environments
- Incremental tilt settings from 0° to 20° to find the perfect viewing angle
- Available in 1 to 4 foot pole length options for varied drop down requirements
- 360° lock-in-place swivel makes it easy to set the perfect viewing angle without having to adjust the ceiling base



■ **VIEWING ANGLE OPTIONS**
Incremental tilt settings enable the best viewing angle

■ **DISPLAY HEIGHT OPTIONS**
Four pole length options available for varied drop down display height needs

■ **SIMPLE SET-UP**
Hook-and-hang design helps attach enclosure to mount and hold the weight load while fine tuning adjustments



For use with Peerless-AV Protective Enclosures, sold separately



RoHS
2002/95/EC

MADE IN
USA

CLICK: www.peerless-av.com

CALL: 800.865.2112

FAX: 800.359.6500

peerless-AV™

Model Numbers

FPECMC-01:	1ft. Indoor/Outdoor Tilting Concrete Ceiling Mount for Protective Enclosures FPE42(H)-S, FPE47(H)-S & FPE55(H)-S
FPECMC-02:	2ft. Indoor/Outdoor Tilting Concrete Ceiling Mount for Protective Enclosures FPE42(H)-S, FPE47(H)-S & FPE55(H)-S
FPECMC-03:	3ft. Indoor/Outdoor Tilting Concrete Ceiling Mount for Protective Enclosures FPE42(H)-S, FPE47(H)-S & FPE55(H)-S
FPECMC-04:	4ft. Indoor/Outdoor Tilting Concrete Ceiling Mount for Protective Enclosures FPE42(H)-S, FPE47(H)-S & FPE55(H)-S

Product Specifications

	DIMENSIONS (W x H x D)	PRODUCT WEIGHT	LOAD CAPACITY	FINISH	AVAILABLE COLORS
FPECMC-01	18.79" x 41.44" x 18" (477 x 1052 x 457mm)	71lb (32kg)	400lb (181kg)	Outdoor gloss powder paint	Stone gray
FPECMC-02	18.79" x 53.44" x 18" (477 x 1357 x 457mm)	75lb (34kg)			
FPECMC-03	18.79" x 65.44" x 18" (477 x 1662 x 457mm)	79lb (35kg)			
FPECMC-04	18.79" x 77.44" x 18" (477 x 1966 x 457mm)	84lb (38kg)			

Package Specifications

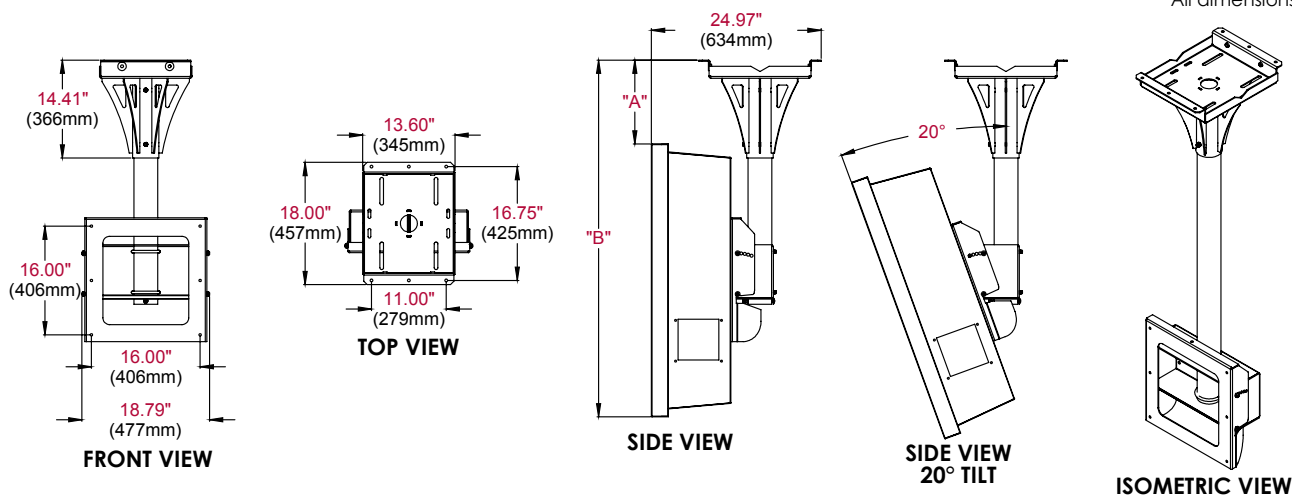
NOTE: Concrete must be at least 3000 psi density and should not be covered with plaster, drywall or other finishing material.

	PACKAGE SIZE (W x H x D)	PACKAGE SHIP WEIGHT	PACKAGE UPC CODE	PACKAGE CONTENTS	UNITS IN PACKAGE
FPECMC-01	Box 1: 24" x 20" x 11" (610 x 508 x 279mm) Box 2: 19" x 17" x 15" (483 x 432 x 381mm) Box 3: 35" x 4" x 4" (889 x 101 x 101mm)	73lb (33kg)	735029273073		
FPECMC-02	Box 1: 24" x 20" x 11" (610 x 508 x 279mm) Box 2: 19" x 17" x 15" (483 x 432 x 381mm) Box 3: 47" x 4" x 4" (1194 x 101 x 101mm)	77lb (35kg)	735029273080	Concrete ceiling mount and concrete mounting hardware	1
FPECMC-03	Box 1: 24" x 20" x 11" (610 x 508 x 279mm) Box 2: 19" x 17" x 15" (483 x 432 x 381mm) Box 3: 59" x 4" x 4" (1499 x 101 x 101mm)	82lb (37kg)	735029273097		
FPECMC-04	Box 1: 24" x 20" x 11" (610 x 508 x 279mm) Box 2: 19" x 17" x 15" (483 x 432 x 381mm) Box 3: 59" x 4" x 4" (1499 x 101 x 101mm)	87lb (39kg)	735029273103		

Accessories

FPE42F-S:	Indoor/Outdoor Protective Enclosure with Cooling Fans for 40"-42" Flat Panel Displays
FPE47F-S:	Indoor/Outdoor Protective Enclosure with Cooling Fans for 46"-47" Flat Panel Displays
FPE55F-S:	Indoor/Outdoor Protective Enclosure with Cooling Fans for 52"-55" Flat Panel Displays
FPE42FH-S:	Indoor/Outdoor Protective Enclosure with Cooling Fans and Thermostat Controlled Heater for 40"-42" Flat Panel Displays
FPE47FH-S:	Indoor/Outdoor Protective Enclosure with Cooling Fans and Thermostat Controlled Heater for 46"-47" Flat Panel Displays
FPE55FH-S:	Indoor/Outdoor Protective Enclosure with Cooling Fans and Thermostat Controlled Heater for 52"-55" Flat Panel Displays

All dimensions = inch (mm)



	FPECMC-01	FPECMC-02	FPECMC-03	FPECMC-04
FPE42F-S, FPE42FH-S	"A" = 15.54" (395mm) "B" = 49.34" (1253mm)	"A" = 27.54" (700mm) "B" = 61.34" (1558mm)	"A" = 39.54" (1004mm) "B" = 73.34" (1863mm)	"A" = 51.54" (1309mm) "B" = 85.34" (2168mm)
FPE47F-S, FPE47FH-S	"A" = 14.32" (364mm) "B" = 50.57" (1284mm)	"A" = 26.32" (668mm) "B" = 62.57" (1589mm)	"A" = 38.32" (973mm) "B" = 74.57" (1894mm)	"A" = 50.32" (1278mm) "B" = 86.57" (2199mm)
FPE55F-S, FPE55FH-S	"A" = 12.35" (314mm) "B" = 52.53" (1334mm)	"A" = 24.35" (618mm) "B" = 64.53" (1639mm)	"A" = 36.35" (923mm) "B" = 76.53" (1944mm)	"A" = 48.35" (1228mm) "B" = 88.53" (2249mm)

ARCHITECTS SPECIFICATIONS

The Indoor/Outdoor Tilting Concrete Ceiling Mount shall be a Peerless-AV model number FPECMC and located where indicated on the plans. Assembly and installation shall be done according to instructions provided by the manufacturer. Mount is made of heavy gauge cold rolled steel. Mount is finished with a glossy ASA-70 gray protective paint.

Peerless Industries, Inc. ■ 2300 White Oak Circle ■ Aurora, IL 60502 ■ (800) 865-2112 ■ (630) 375-5100 ■ Fax: (800) 359-6500 ■ www.peerless-av.com

Visit www.peerless-av.com to see the complete line of AV solutions from Peerless-AV, including flat panel mounts, projector mounts, carts/stands, furniture, cables, screen cleaners and a full assortment of accessories.