

SR560M



Mounting Pattern
200 x 200 up to
600 x 400mm



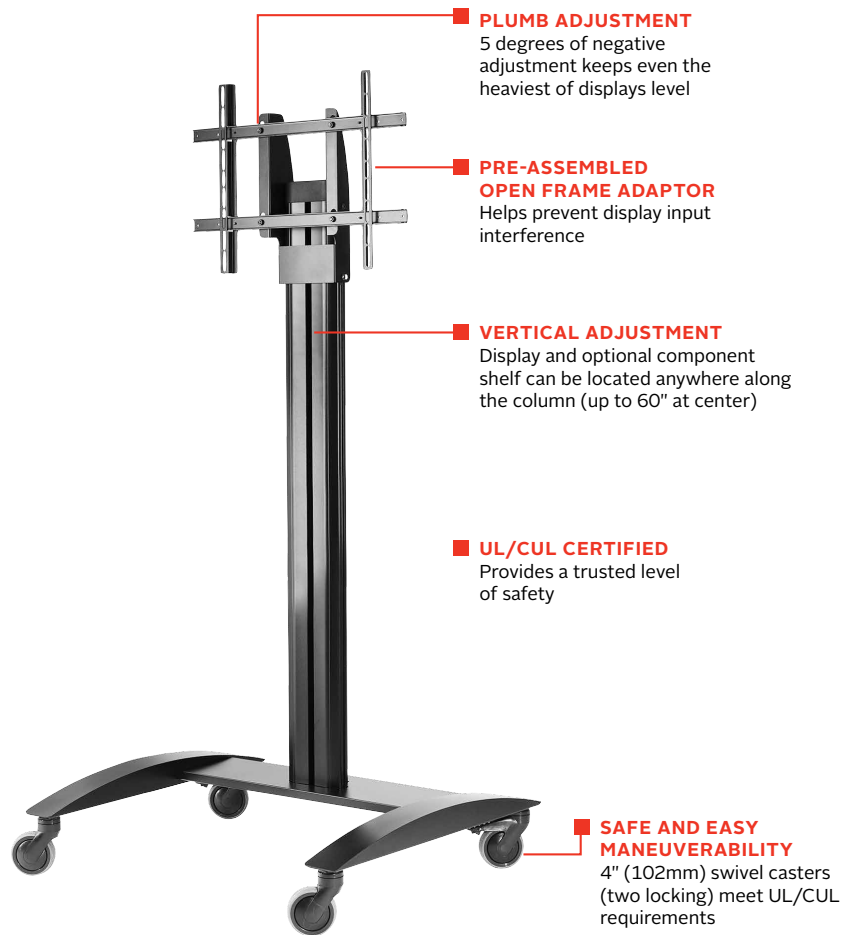
Max Load
150lb (68.2kg)
Display

SMARTMOUNT® Flat Panel Cart

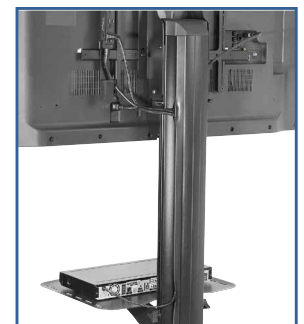
FOR 32" TO 75" DISPLAYS

The SR560M SmartMount® Flat Panel Cart has been redesigned, now including a number of new features making this cart the perfect solution for any application. It includes enhanced mobility, appealing design, display height adjustment, and a sturdy three-piece base, all of which help provide a rigid, yet attractive solution that is quickly assembled. The 4" casters also make it easy to move from room-to-room, while the UL® certification ensures that it can be done safely.

- Includes a three-piece base and pre-assembled adaptor plate to reduce packaging waste and carton size
- Three-piece base also provides rigidity, stability, and quick assembly
- Integrated cable management protects, contains and conceals cables for a clean, professional installation
- Textured black powder coat finish helps hide finger prints and dust
- Universal display adaptor fits mounting patterns from 200 x 200mm to 600 x 400mm and allows mounting in landscape or portrait orientation
- Cart includes (4) plastic base pads for instances when casters are not needed



Shown with optional shelf ACC-MS



Cable management allows cables to enter or exit anywhere along the column.



Please visit peerless-av.com/en-us/patents for patent information.

SR560M	SmartMount® Flat Panel Cart for 32" to 75" Displays
---------------	---

Product Specifications

	DIMENSIONS (W X H X D)	PRODUCT WEIGHT	LOAD CAPACITY	FINISH	AVAILABLE COLORS
SR560M	34.95" x 65.93" x 29.00" (888 x 1675 x 737mm)	66lb (30kg)	150lb (68.2kg) Display	Textured Powder Coat	Black

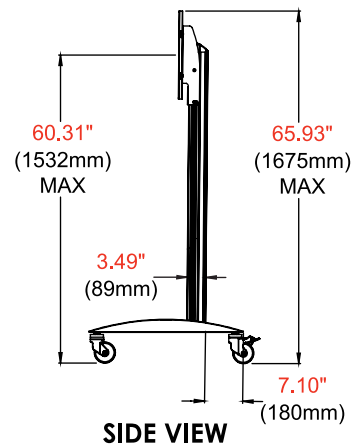
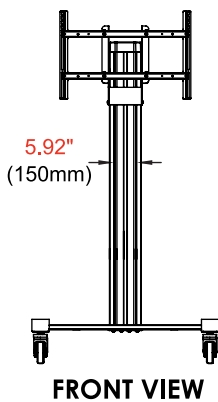
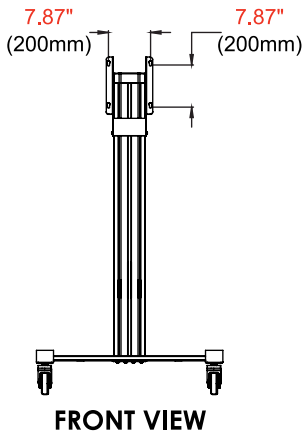
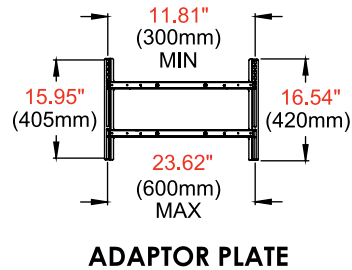
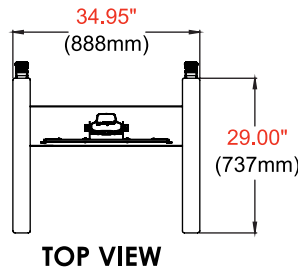
Package Specifications

	PACKAGE SIZE (W x H x D)	PACKAGE SHIP WEIGHT	PACKAGE UPC CODE	PACKAGE CONTENTS	UNITS IN PACKAGE
SR560M	47.20" x 38.60" x 5.10" (1200 x 980 x 130mm)	73.9lb (33.5kg)	735029247715	Base, Left Leg, Right Leg, Aluminum Column, Universal Display Adaptor, (2) Swivel Casters, (2) Locking Swivel Casters, (4) Plastic Base Pads, Hardware & Instructions	1

Accessories

- | | |
|---|--|
| ACC310: Leveling Feet Accessory | ACC-V900X: 600, 800 and 900mm VESA® Adaptor |
| ACC316: Safety Belt | ACC-VCS: Video Conferencing Camera Shelf |
| ACC320: Electrical Outlet Strip with Cord Wrap | DSX750: Media Player Storage |
| ACC-BPR: Bumper Accessory for Legs | MIS995: 800mm VESA® Adaptor |
| ACC-LA: Laptop Arm | MOD-UNL2: Large Universal Adaptor |
| ACC-MS: Metal Shelf | RMI2C: Rotational Mount Interface |
| ACC-UCM: Universal AV Component Mount | |

All dimensions = inch (mm)



Architect Specifications

The SmartMount® Flat Panel Cart shall be a Peerless-AV model SR560M and shall be located where indicated on the plans. Assembly and installation shall be done according to instructions provided by the manufacturer.

Visit peerless-av.com to see the complete line of AV solutions from Peerless-AV, including outdoor displays, kiosks, display mounts, projector mounts, carts/stands, and a full assortment of accessories.

Peerless-AV
2300 White Oak Circle
Aurora, IL 60502
USA
(800) 865-2112
(630) 375-5100

Peerless-AV EMEA
Unit 2 Curo Park
Frogmore, St. Albans
Hertfordshire, AL2 2DD
United Kingdom
+44 (0) 1923 200 100

Peerless-AV B.V.
Papendorpsweg 75
3528 BJ Utrecht
The Netherlands
+31 (0) 70 770 8037

Peerless-AV Latin America
Av. de las Industrias 413
Parque Industrial Escobedo
General Escobedo, N.L.,
México, 66062
+52 (81) 8384-8300

